



The small OpenAir damper actuators
that make a big difference



A damper actuator is really good if one can easily order it, easily install it and then easily forget it.

Superior engineering ensures that the new 2 Nm actuators operate in a small space with the same excellent features as all OpenAir™ damper actuators: High quality gear trains deliver precise torque control right out of the box, no running in required; 100% factory-testing of the actuator's electrical and mechanical functions translate to high reliability and worry-free operation; ease of ordering and on time delivery contribute to the good customer experience enjoyed when using OpenAir damper actuators.

Every technical detail of these OpenAir damper actuators has been optimally matched to the requirements of residential environments – to private living spaces: Absolute reliability, extremely quiet operation, and compact design fits in small spaces.

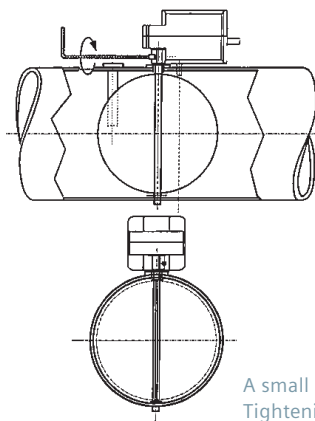
- The big difference:
 - The small mounting pin connection
 - With or without spring return
 - Operating on DC and AC, for any type of application

- Shaft adapter for barrel dampers, insert pin and tighten shaft screw
- Operate reliably between -32 °C and 55 °C, from cellar to loft
- Compact design, perfect for installation in false ceilings
- Short running time, quiet damper operation
- Complies with all relevant international safety standards

Non-spring return		AC 24 V	DC 24 V	AC 230 V	Cable 0.9 m	Connector RJ12	SPDT (2-wire)	
GSD 2 Nm	2-pos.	■	■		■		■	GSD141.6A
		■	■			■	■	GSD141.6K
				■	■		■	GSD341.6A

Spring return		AC 24 V	DC 24 V	AC 230 V	Cable 0.9 m	Connector RJ12	SPDT (2-wire)	
GQD 2 Nm	2-pos.	■	■		■			GQD121.6A
				■	■			GQD321.6A

Selecting the right OpenAir damper actuator is very easy. If your requirements are more complex, please contact us. We will be pleased to share our global expertise with you – proven experience with millions of damper actuators installed worldwide.



A small plastic pin minimizes installation time. Tightening a screw is all that's required, eliminating any kind of mounting error.

Highlights

- Very compact housing, yet powerful
- With or without spring return
- Small plastic pin minimizes installation effort and eliminates mounting errors
- Ideally suited for residential applications
- Extremely low noise level

Siemens Switzerland Ltd
Building Technologies Group
International Headquarters
Gubelstrasse 22
CH-6301 Zug
Tel 41 41 724 24 24
Fax 41 41 724 35 22

Siemens Ltd
Rooms 1006-10, 10/F
China Resources Building
26 Harbour Road
Wanchai, Hong Kong
Tel 852 2870 7888
Fax 852 2407 4457

Siemens Building
Technologies (Tianjin) Ltd
26/F-27/F Jiushi Tower
28, South Zhongshan Road
CN-200010 Shanghai
Tel 86 21 3889 3889
Fax 86 21 6330 6227

Siemens Building
Technologies
The Siemens Center
60 MacPherson Road
Singapore 348615
Tel 65 6490 7936
Fax 65 6490 7937

Siemens Building
Technologies Pty. Ltd
HVAC Products
885 Mountain Highway Bayswater
AU-3153 Victoria
Tel 61 3 9721 2000
Fax 61 3 9720 9966

Siemens Ltd
Asia Tower Building, 10th floor
726, Yeoksam-dong,
Kangnam-gu
KR-Seoul 135-719
Tel 82 2 3450 7417
Fax 82 2 3450 7498

The information in this document contains general descriptions of technical options available, which do not always have to be present in individual cases. The required features should therefore be specified in each individual case at the time of closing the contract.

Subject to change • Order no. Z-A01610601EN •
© Siemens Switzerland Ltd • Printed in Switzerland •
0,50709 Ni/Ah