



Safety Limit Thermostats

RAK-ST..M RAK-ST..M..

Electromechanical STB according to DIN EN 14597

- **Safety temperature limitation, with single-pole changeover microswitch**
- **Switching capacity** contact connection 11-12 16 (2.5) A, AC 250 V
Terminal for alarm contact connection 11-13 2 (0.4) A, AC 250 V
- **Time constant conforming to DIN EN 14597**
- **3 mounting choices: pipe, pocket or wall mounting**
- **Switch-off temperature can be checked through the viewing window in the housing**
- **Compensation of ambient temperature at switching mechanism and capillary tube**
- **Fail-safe design, rupture of the capillary tube causes contact connection 11-12 to open**
- **Internal reset facility covered by removable threaded nipple**
- **IP43 or IP65 protection class**
- **Push-in terminals for fast installation**

Use

Typical applications:

- Fire protection thermostat in duct systems
- Heat generation plant
- For general use in heating, ventilation and air conditioning plant

Function

When the limit temperature is reached on rising medium temperature, contact 11-12 changes over to contact 11-13 (alarm) and the limiter remains tripped in this position. When the temperature of the medium falls by the value of the switching differential, the safety limiter must be manually reset after removal of the threaded nipple. Should the expansion liquid escape through a leak in the sensing system, the pressure in the diaphragm drops, causing the contact connection to mechanically 11-12 off.

Type summary

| Product No. | Stock number | Degree of protection | Limit temperature | Capillary tube length | Scope of delivery | Pocket length ¹⁾ | Clamping band ³⁾ |
|------------------------------|--------------|----------------------|-------------------|-----------------------|---|-----------------------------|-----------------------------|
| RAK-ST.1385M ²⁾ | S55700-P105 | IP65 | 40...70 °C | 700 mm | Mounting instruction / cable gland M16 x 1.5 mm | - | - |
| RAK-ST.1600MP ²⁾ | S55700-P107 | IP65 | 95...130 °C | | | 100 mm | - |
| RAK-ST.010FP-M ²⁾ | S55700-P100 | IP43 | 95 °C | | | 100 mm | - |
| RAK-ST.020FP-M ²⁾ | S55700-P101 | IP43 | 100 °C | | | 100 mm | - |
| RAK-ST.030FP-M ²⁾ | S55700-P102 | IP43 | 110 °C | | | 100 mm | - |
| RAK-ST.1310P-M ²⁾ | S55700-P104 | IP43 | 90...110 °C | | | 100 mm | - |
| RAK-ST.1300P-M ²⁾ | S55700-P103 | IP43 | 110...130 °C | | | 100 mm | - |
| RAK-ST.1430S-M ²⁾ | S55700-P106 | IP43 | 80...100 °C | 1600 mm | - | Yes | |

1) Pocket ALT-SB100, brass nickel-plated, PN10

2) According to DIN 14597

3) Clamping band for max. pipe dia. 100 mm

Accessories

Refer to Data Sheets N1193 and N1194.

RAK-ST.1385M: The perforated pocket ALT-AB200 or another pocket (standard pocket for liquids ALT-SB100) must be ordered as a separate item (refer to Data Sheets N1193 and N1194).

Ordering

When ordering, please give product number according to "Type summary" (standard set).






If the accessories required are not those included in the standard set, they can be ordered separately according to the product nos. given in Data Sheets N1193 and N1194.

Mechanical design

Housing

- The entire housing of the thermostat is made of PC plastic and is designed for pipe, pocket or wall mounting; the safety limiter (STB) uses a capillary type sensing element.
- The cover is made of PC and has a viewing window and a removable threaded nipple for resetting the thermostat.
- The cable gland is standard M 16 x 1.5 mm.
- The PC plastic is especially designed to be flame-resistant, UV protected and suited for high temperatures and resistant to against chemical and biological influences.

Notes

| | |
|---|---|
| Mounting aid | Installation Instructions are enclosed in the package. |
| Mounting location | It must be ensured that there is sufficient clearance above the thermostat for seeing through the viewing window, for adjusting the switch-off temperature, (e.g. type RAK-ST.1300P-M) and for removing and replacing the thermostat, if required. |
| Pipe mounting | The clamping band should be properly tightened to ensure the entire length of the sensing element is in close contact with the pipe's surface. |
| Pocket mounting | Mount the pocket and adjust the hexagon as required. Immerse the capillary sensing element in the pocket and secure the base to the pocket by means of the screw. |
| Wall mounting with sensing element in the pocket | To prepare for wall mounting, knock out the fixing holes in the housing and pull out the capillary tube until the required length is reached. After immersing the capillary sensing element in the pocket, secure it with a clamp (mounting accessories). |
|  Temperature setting | The switch-off temperature (40...70 °C or 95..130 °C) must be adjusted by qualified personnel. |
|  Wiring | The appliance must be wired by the installer only. The cables used must meet the insulation requirements for mains voltage. In case of rupture of the capillary tube, contact 11-12 will open (fail-safe function). Wire the thermostat according to the connection diagram and in compliance with local regulations. |
|  Max. AC 250 V | Caution: prior to opening the housing, disconnect the thermostat from the mains supply. |
|   | Earth connections must be made in compliance with the regulations. |

Disposal



The devices are considered electronics devices for disposal in terms of European Directive 2012/19/EU and may not be disposed of as domestic waste.

- Dispose of the device via the channels provided for this purpose.
- Comply with all local and currently applicable laws and regulations.

Technical data

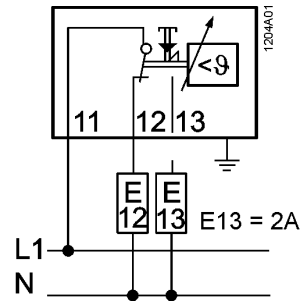
| | | | |
|---|---|--|--------------------------------|
| Switching mechanism | Switching capacity | | |
| | Nominal voltage | AC 24...250 V | |
| | Nominal current I (I _M) | contact 11-12 | 0.1...16 (2.5) |
| | | contact 11-13 | 2 (0.4) A (terminal for alarm) |
| | External fuse | 16 A | |
| | Life expectancy at nominal rating | Min. 300switching cycles | |
| | Estimated value for B _{10d} | B _{10d} = 250'000 (DIN EN ISO 13849-1) | |
| | Safety class | I to EN 60 730 | |
| | Degree of protection: | IP43 or IP65 to EN 60 529 | |
| | Fixed switch-off temperature | | |
| | RAK-ST.010FP-M | 95 °C | |
| | RAK-ST.020FP-M | 100 °C | |
| | RAK-ST.030FP-M | 110 °C | |
| | Switch-off temperature, internally adjustable RAK- | (with tool) | |
| | RAK-ST.1300P-M | 110...130 °C | |
| | RAK-ST.1310P-M | 90...110 °C | |
| | RAK-ST.1430S-M | 80...100 °C | |
| RAK-ST.1385M | 40...70 °C | | |
| RAK-ST.1600MP | 95...130 °C | | |
| Thermal switching differential | | | |
| RAK-ST.1385M | | | |
| RAK-ST.1600MP | 10 K | | |
| RAK-ST.010FP-M / RAK020FP-M / | | | |
| RAK030FP-M/ RAK1430S-M | | | |
| RAK-ST.1300P-M / RAK1310P-M | | | |
| Directives and Standards | Product standard | EN 60730-x DIN EN 14597 (STB1196) ¹⁾ | |
| | EU Conformity (CE) | CE1T1204xx ¹⁾ | |
| | Radio interference protection | Click rate N ≤5 to EN 55 014 | |
| Environmental conditions | Operation | Class 3K5 to IEC 60 721-3-3 | |
| | Max. temperature on bulb | switch-off temperature + 25 K | |
| | Ambient temperature at the housing | max. 80 °C (T80) | |
| | Humidity | < 95 % r.h. | |
| | Mechanism | class 3M2 to IEC 60 721-3-3 | |
| | Storage and transport | class 2K3 to IEC 60 721-3-2 | |
| | Ambient temperature | -25...+ 70 °C | |
| | Humidity | < 95 % r.h. | |
| | Max. temperature socket | 125 °C | |
| | Degree of pollution | 2 to EN 60 730 | |
| Controlled medium | Water, oil, air | | |
| Ambient temperature compensation for switching mechanism and capillary tube | 22 °C DIN EN 14 597 | | |
| Environmental compatibility | The product environmental declaration CE1E1186 ¹⁾ contains data on environmentally compatible product design and assessments (RoHS compliance, materials composition, packaging, environmental benefit, disposal). | | |

| | | |
|----------------|--|--|
| Calibration | Calibration temperature | RAK-ST.1385M: 45 °C RAK-ST.1600MP: 100 °C RAK-ST.010FP-M: 95 °C RAK-ST.020FP-M: 100 °C RAK-ST.030FP-M: 110 °C RAK-ST.1300P-M: 120 °C RAK-ST.1310P-M: 100 °C RAK-ST.1430S-M: 90 °C |
| | Manufacturing deviation | +0 /-6 °C |
| | Drift after life expectancy | < ±5 % |
| | Calibrated for ambient temperature at the switching mechanism and capillary tube | |
| | RAK-ST.1385M | 50 °C to DIN EN 14597 |
| | RAK-ST.1600MP | 22 °C to DIN EN 14597 |
| | RAK-ST.010FP-M | 22 °C to DIN EN 14597 |
| | RAK-ST.020FP-M | 22 °C to DIN EN 14597 |
| | RAK-ST.030FP-M | 22 °C to DIN EN 14597 |
| | RAK-ST.1300P-M | 22 °C to DIN EN 14597 |
| RAK-ST.1310P-M | 22 °C to DIN EN 14597 | |
| RAK-ST.1430S-M | 22 °C to DIN EN 14597 | |
| Connections | Time constant in: water | <45 s to DIN EN 14597 |
| | oil | <60 s to DIN EN 14597 |
| | air | <120 s to DIN EN 14597 |
| | Electrical connections | Push In ²⁾ terminals for wires 6 x 0.75...2.5 mm ² |
| General data | Earth connection | Push In ²⁾ terminals for wires 2 x 0.75...2.5 mm ² |
| | Cable gland | M16 x 1.5 mm (max. 4-core cable) |
| | External wiring flexible cord | Designed to be connected with unprepared conductors or prepared conductors, e.g. ferrules |
| General data | Housing colors | Base RAL 7001 (dark-grey) cover RAL 7035 (light-grey) |
| | Dimensions of sensing element | 6.5 mm dia x 85 mm resp. 6.5 mm dia x 76 mm |
| | Capillary tube length All types | 700 mm |
| | Min. bending radius of capillary | R min. = 5 mm |
| | Construction | Carrier of switching mechanism Plastic Capillary tube and sensing element Copper Diaphragm Stainless steel |
| | Weight of standard set | 0.35 kg |

1) The documents can be downloaded from <http://siemens.com/bt/download>.

2) Push In is a patented connection technology designed by Weidmüller, Germany's leading manufacturer of electrical connection technologies.

Connection diagram



Dimensions

