

## OpenAir® GQD Series

### Spring Return, 20 lb-in (2 Nm), Rotary Electronic Damper Actuators



#### Description

The OpenAir GQD Series direct-coupled spring return electronic actuator is designed for modulating, two-position, and floating control of building HVAC dampers.

#### Features

- Bi-directional spring return (fail-safe)
- Pre-cabled
- Plenum-rated models available
- Optional built-in auxiliary switches with fixed switch points at 5° and 85° rotation
- Auxiliary switch units shipped with separate conduit box
- Fast run time
- Available in 20 lb-in (2 Nm) torque
- Signal inversion capability on modulating types (2 to 10 Vdc or 10 to 2 Vdc)
- UL and cUL listed, CE certified
- Compact footprint
- Low voltage models are 24 Vac/dc compatible
- All models without auxiliary switches are equipped with a conduit adapter.
- 120 Vac model with 1/2" NPT conduit connection

#### Application

Used in constant or variable air volume installations for the control of return air, mixed air, exhaust, and face and bypass, and residential zone dampers requiring up to 20 lb-in (2 Nm) torque.

Designed for applications that require the damper to return to a fail-safe position when there is a power failure.



#### Product Numbers

Table 1.

Product Number*	Torque		Voltage		Control Signals			Plenum Cabling	Appliance Cable	Auxiliary Switch
	20 lb-in	24 Vac/dc	120 Vac	2-Position	Floating	Modulating 2 to 10 Vdc/ 10 to 2 Vdc				
GQD121.1P	●	●	—	●	—	—	●	—	—	
GQD126.1P	●	●	—	●	—	—	●	—	●	
GQD131.1P	●	●	—	—	●	—	●	—	—	
GQD136.1P	●	●	—	—	●	—	●	—	●	
GQD151.1P	●	●	—	—	—	●	●	—	—	
GQD156.1P	●	●	—	—	—	●	●	—	●	
GQD221.1U	●	—	●	●	—	—	—	●	—	
GQD226.1U	●	—	●	●	—	—	—	●	●	

**NOTE:** Add /B to part numbers to order bulk packs of 10.

### Warning/Caution Notations

<b>WARNING:</b>		Personal injury or loss of life may occur if you do not perform a procedure as specified.
<b>CAUTION:</b>		Equipment damage may occur if you do not perform a procedure as specified.

### Actuator Components

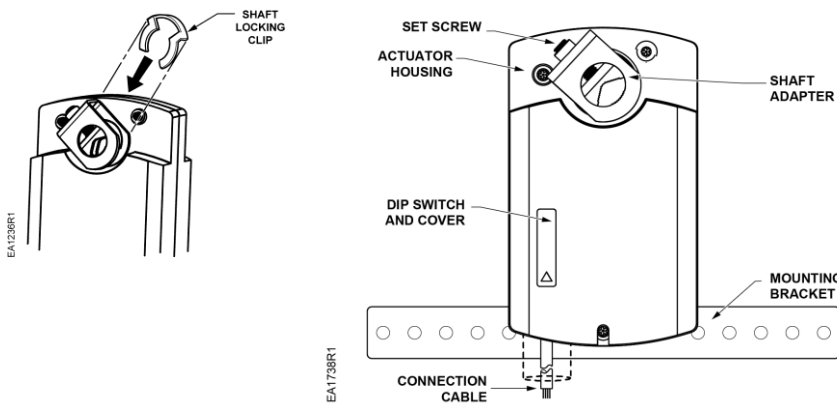


Figure 1. Components of the GQD Spring Return Actuator.

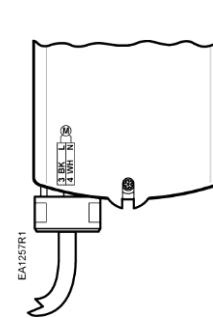


Figure 2. GQDxx1.1x with Conduit Adapter.

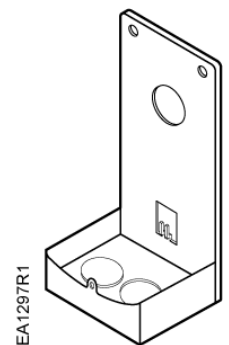


Figure 3. Conduit Box Shipped Only with GQDxx6.1x Actuators.

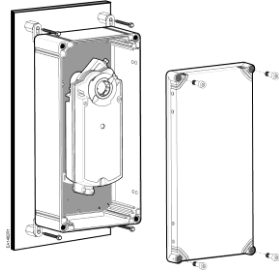
<b>Specifications</b>	Operating voltage	24 Vac $\pm 20\%$ ; 24 Vdc $\pm 15\%$ 120 Vac $\pm 15\%$
<b>Power Supply</b>	Frequency	50/60 Hz
	Power consumption	<b>Running</b> <b>Holding</b>
	<b>24 Vac <math>\pm 20\%</math>/ 24 Vdc <math>\pm 15\%</math></b>	
	GQD12x.1P	6.5 VA (4.5W)    4 VA (2.5W)
GQD13x.1P	4 VA (2.5W)     3 VA (1.5W)	
GQD15x.1P	4.5 VA (3W)     3.5 VA (2W)	
<b>120 Vac <math>\pm 15\%</math></b>		
GQD22x.1U	10 VA             7 VA	
<b>Equipment Rating</b>	24 Vac	Class 2, in accordance with UL/CSA Class III per IEC 60536
	120 Vac	Double insulation
<b>Auxiliary Switch Rating</b>	Fixed dual end switches AC rating	24 Vac to 250 Vac/24 Vdc 6A resistive/2 FLA/12 LRA

**Specifications, Continued**

<b>Control Signal</b>	Input signal (wires 8–2) voltage input signal GQD151.1P input resistance	2 to 10 Vdc (max. 35 Vdc) >100K ohms
<b>Feedback Signal</b>	Position output signal (wires 9–2) voltage output signal GQD151.1P maximum output current	2 to 10 Vdc +1 mA, -0.5 mA
<b>Function</b>	Running/spring return torque Maximum torque Runtime for 90° operating with motor closing (on power loss) with spring return	20 lb-in (2 Nm) 53 lb-in (6 Nm) 30 seconds 15 seconds typical
<b>Mounting</b>	Nominal angle of rotation Maximum angular rotation Shaft size Minimum shaft length	90° 95° 3/8 to 1/2-inch (8 to 13 mm) dia. 1/4 to 7/16-inch (6 to 11 mm) square 3/4-inch (20 mm)
<b>Housing</b>	Enclosure Material Gear lubrication	NEMA 1 IP40 Plenum-rated rugged plastic Silicone-free
<b>Ambient Conditions</b>	Ambient temperature operation storage and transport Ambient humidity (non-condensing)	-25°F to 130°F (-32°C to 55°C) -40°F to 158°F (-40°C to 70°C) 95% rh
<b>Agency Certification</b>	24 Vac  <b>NOTE:</b> These devices were approved for installation in plenum areas by Underwriters Laboratories, Inc. (UL) per UL 1995.	UL listed per UL873 cUL to CSA C22.2 No. 24-93 C-Tick conformity per AS/NZS3548
<b>CE Conformity</b>	120 Vac	EMC and Low Voltage Directives
<b>Miscellaneous</b>	Pre-cabled connection Cable length Life cycle  Dimensions GQDxx6.1x  GQDxx1.1x  GQDxx6.1x w/conduit box  Weight	18 AWG (0.75 mm <sup>2</sup> ) 3 feet (0.9 m) length Designed for minimum of 60,000 full stroke cycles and a minimum of 1.5 million repositions at rated torque and temperature  4-23/32" H x 2-22/32" W x 2-15/32" D (120 mm H x 69 mm W x 63 mm D)  5-1/2" H x 2-22/32" W x 2-15/32" D (138.5 mm H x 69 mm W x 63 mm D)  6-3/16" H x 2-22/32" W x 2-15/32" D (156.7 mm H x 69 mm W x 63 mm D)  1.06 lbs (0.48 kg)

---

## Accessories



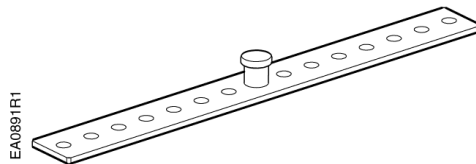
**Figure 4. NEMA Type 4X Weather Shield.**

**ASK75.7U:** GQD Actuators are UL listed to meet NEMA Type 4X requirements (a degree of protection against falling dirt, rain, sleet, snow, windblown dust, splashing water, hose-directed water, corrosion, and damage from external ice formation) when installed with an ASK75.7U Weather Shield and outdoor-rated conduit fittings. This weather shield may be mounted in any orientation.

For dimensions, see Figure 13.

---

## Service Parts



**Figure 5. 985-055P24**  
Anti-rotation Bracket (Mounting).



**Figure 6. 985-124**  
499-ohm Resistor Assembly Kit for  
4 to 20 mA Applications.

---

## Operation

### GQD151

Apply a continuous 2 to 10 Vdc control signal between wire 8 (Y) and wire 2 (G0) to operate the damper actuator. The angle of rotation is proportional to the control signal.

A 2 to 10 Vdc position feedback output signal is available between wire 9 (U) and wire 2 (G0) to monitor the position of the damper motor.

In the event of a power failure or when the operating voltage is shut off, the actuator returns to the **0** position.

---

### GQD121/GQD221.1U

When power is applied, the actuator coupling moves toward the open position "90°". In the event of a power failure or when the operating voltage is shut off, the actuator returns to the **0** position.

---

### GQD131

A floating control signal controls the damper actuator. The actuator's angle of rotation is proportional to the length of time the signal is applied. A 24 Vac/dc control signal to wire 6 (Y1) causes the actuator coupling to rotate clockwise. A 24 Vac/dc control signal to wire 7 (Y2) causes the actuator coupling to rotate counterclockwise.

With no control voltage, the damper actuator holds its position. In the event of a power failure, the actuator will return to the **0** position.

---

## Overload Protection

In the event of a blockage in the damper, the actuator is overload protected over the full range to prevent damage to the actuator.

---

## Life Expectancy

An improperly tuned loop will cause excessive repositioning that will shorten the life of the actuator.

## Sizing

The type of actuator required depends on several factors:

1. Obtain damper torque ratings (lb-in/ft<sup>2</sup> or Nm/m<sup>2</sup>) from the damper manufacturer
2. Determine the area of the damper.
3. Calculate the total torque required to move the damper:

$$\text{Total Torque} = \frac{\text{Torque Rating} \times \text{Damper Area}}{\text{SF}^1}$$

4. Select a spring return actuator using Table 1.

<sup>1</sup> Safety Factor: When calculating the total torque required, a safety factor should be included for unaccountable variables such as slight misalignments, aging of the damper, etc. A suggested safety factor is 0.80.

**Table 2. Sizing.**

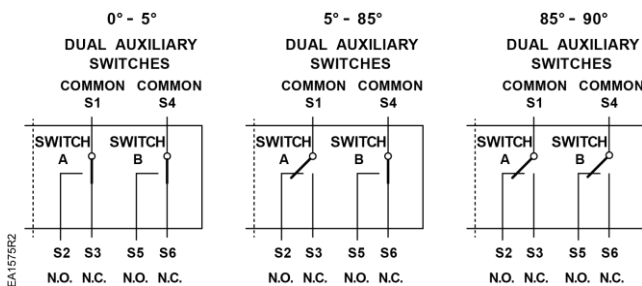
Total Torque	Actuator
≤20 lb-in (2Nm)	GQD
>35 lb-in ≤ 62 lb-in (>4 Nm ≤ 7 Nm)	GMA
>62 lb-in ≤ 160 lb-in (7 Nm ≤ 18 Nm)	GCA
>160 lb-in ≤ 320 lb-in (>18 Nm ≤ 36 Nm)	Tandem GCA <b>ASK73.2U*</b> : Tandem mounting bracket with any combination of GCA16x. <b>ASK73.1U*</b> : Tandem mounting bracket for all other GCAx actuators.

**\*NOTE:** Mechanically coupled actuators must be of the exact same type. Use the correct mounting bracket.

## Mounting and Installation

- The shaft adapter can be mounted on either side of the actuator. The actuator mounting orientation and shaft length determine how they will be mounted on the actuator.
- The minimum damper drive shaft length is 3/4-inch (20 mm).
- See *Specifications* for the minimum and maximum damper shaft dimensions.
- A mounting bracket is included with the actuator.
- See the detailed installation instructions included with each actuator.

## Auxiliary Switches



Actuator Position	Switch A Common S1 Connected to	Switch B Common S4 Connected to
0° to 5°	S3	S6
5° to 85°	S2	S6
85° to 90°	S2	S5



**CAUTION:**

Mixed switch operation to the switching outputs of both dual end switches (5° and 85°) is not permitted.

Either AC line voltage from the same phase must be applied to all six outputs of the fixed dual end switches, or UL-Class 2 voltage must be applied to all six outputs.

**DIP Switch  
 Functionality  
 GQD 151.1P**

**NOTE:** The black position indicates the active switch setting.

Description	Label	Description	Function
Inverse Acting		Direct-Acting	Input Signal Inversion
Inverse-Acting Feedback		Direct-Acting feedback	Feedback Signal inversion
			<b>Not In Use</b>

**Figure 7. DIP Switches.**

**Input Signal Inversion**



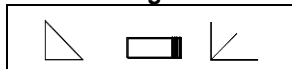
Allows inverting the control input signal

The arrow direction indicates opening or closing (closing or opening) when operating an actuator with a given control signal.

= Direct acting (Factory setting)  
 Input signal 2 Vdc ► fail-safe position

= Inverse acting  
 Input signal 10 Vdc ► fail-safe position

**Feedback Signal Inversion**



Allows inverting the position feedback output signal

= Direct acting feedback (Factory setting)  
 Fail-safe position ► Output signal 2 Vdc

= Inverse acting feedback,  
 Fail-safe position ► Output signal 10 Vdc

**Wiring**

All wiring must conform to NEC and local codes and regulations.

Use earth ground isolating step-down Class 2 transformers. Do not use autotransformers.

The maximum rating for a Class 2 step-down transformer is 100 VA. Determine the supply transformer rating by summing the VA ratings of all actuators and all other components used. It is recommended that one transformer power no more than 10 actuators (or 80% of its VA).



**WARNING:**

Installations requiring **CE** Conformance:

- All wiring for 24 Vac/dc actuators must only be safety extra-low voltage (SELV) or protective extra-low voltage (PELV) per HD384.
- Use safety transformers per EN61558 with double isolation, designed for 100% duty-cycle for supplying SELV or PELV circuits.
- Over-current protection for supply lines is maximum 10A.

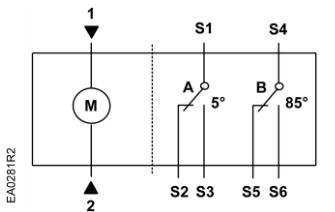
**Wire Designations** Each wire has the standard symbol printed on it. See Table 3.

**Table 3. Wire Designations.**

Applicable Actuator	Standard Symbol	Function	Terminal Designations	Color
<b>24 Vac/dc</b>	1	Supply (SP)	G	Red
	2	Neutral (SN)	G0	Black
	6	Control signal clockwise (CW)	Y1	Violet
	7	Control signal counterclockwise (CCW)	Y2	Orange
	8	Input signal: 2 to 10 Vdc or 10 to 2 Vdc	Y	Gray
	9	Position output: 2 to 10 Vdc	U	Pink
<b>120 Vac</b>	3	Supply	L	Black
	4	Neutral	N	White
<b>Auxiliary Switches</b>	S1	Switch A – Common	S1	Gray/red
	S2	Switch A – N.O.	S2	Gray/blue
	S3	Switch A – N.C.	S3	Gray/pink
	S4	Switch B – Common	S4	Black/red
	S5	Switch B – N.O.	S5	Black/blue
	S6	Switch B – N.C.	S6	Black/pink

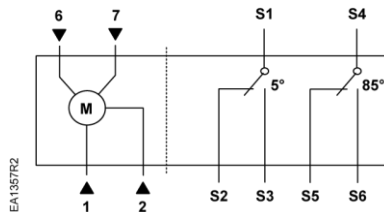
**Wiring Diagrams**

**GQD12x.1P**  
 24 Vac/dc  
 2-Position Control



**Figure 8.**

**GQD13x.1P**  
 24 Vac/dc  
 Floating Control

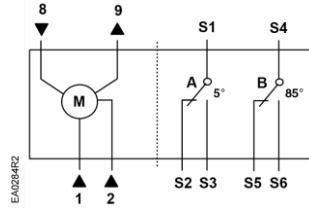


**Figure 9.**

**Wiring Diagrams,  
 Continued**

**GQD15x.1P**

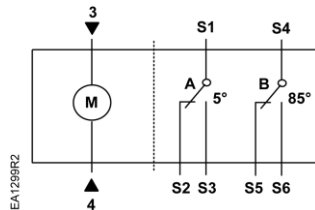
**24 Vac/dc**  
 Modulating Control



**Figure 10.**

**GQD22x.1U**

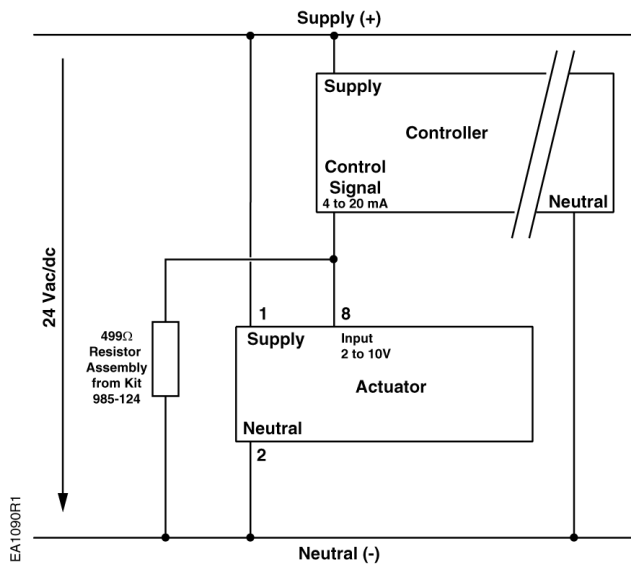
**120 Vac**  
 2-Position Control



**Figure 11.**

**Special  
 Applications**

**GQD15x.1P**  
 4 to 20 mA



**Figure 12. GQD15x.1P 4 to 20 mA Applications.**



---

**Start-Up/  
Commissioning****GQD15x.1P****Spring Return  
Modulating Control  
24 Vac/dc**

1. Check Operation:
    - a. Connect wires 1 (red) and 2 (black) to the 24 Vac/dc power supply.  
**NOTE:** With no input signal present, the GQD151 actuator with input signal inversion switch set to Inverse Acting, will start driving towards 90°.
    - b. Use a Digital Multimeter (DDM) and set the dial to Vdc for the actuator input signal.
    - c. Connect wires 2 (black) and 8 (gray) to the DMM.
    - d. Apply to input signal wire 8 (gray):  
Y = 10 Vdc (GQD151 with input signal inversion switch set to Direct Acting).  
Y = 2 Vdc (GQD151 with input signal inversion switch set to Inverse Acting).  
Allow the actuator shaft coupling to rotate from 0° to 90°.
    - e. Apply to input signal wire 8 (gray):  
Y = 2 Vdc (GQD151 with input signal inversion switch set to Direct Acting).  
Y = 10 Vdc (GQD151 with input signal inversion switch set to Inverse Acting).  
The shaft coupling returns to the **0** position.
  2. Check Spring Return:
    - a. Set the DMM dial to Vdc.
    - b. Connect wires 2 (black) and 8 (gray) to the DMM.
    - c. Apply to input signal wire 8 (gray):  
Y = 6 Vdc (GQD151).  
Allow the actuator shaft coupling to rotate halfway.
    - d. Disconnect wire 1 (red).  
The spring returns the actuator shaft coupling to the fail-safe **0** position.
    - e. Connect wire 1 (red) and the actuator moves.
  3. Check Feedback:
    - a. Set the DMM dial to Vdc.
    - b. Attach wires 2 (black) and 9 (pink) to the DMM.
    - c. Apply the input signal as in *Step 1d*, to wire 8 (gray).
      - The reading at the DMM should increase (decrease for GQD151 with output signal inversion switch set to Inverse Acting Feedback).
      - The reading at the DMM should decrease (increase for GQD 151 with output signal inversion switch set to Inverse Acting Feedback) and the actuator shaft coupling returns to the fail-safe **0** position.
- 

**GQD12x.1P****Spring Return  
2-Position  
24 Vac/dc**

1. Check Operation:
    - a. Connect wires 1 (red) and 2 (black) to 24 Vac/dc power supply.  
Allow the actuator shaft coupling to rotate from 0° to 90°.
    - b. Disconnect wire 1 (red) and the actuator shaft coupling returns to the "0" position.
  2. Check Spring Return:
    - a. Connect wire 1 (red).  
Allow the actuator shaft coupling to rotate halfway.
    - b. Disconnect wire 1 (red).  
The spring returns the actuator shaft coupling to the fail-safe **0** position.
-

---

**GQD13x.1P**  
**Spring Return**  
**Floating**  
**24 Vac/dc**

1. Check Operation:
  - a. Connect wires 1 (red) and 2 (black) to a 24 Vac/dc power supply.
  - b. Apply a control signal (24 Vac/dc) to wire 6 (violet).  
Allow the actuator shaft coupling to rotate from 0 to 90°.
  - c. Stop the control signal to wire 6 (violet).
  - d. Apply a control signal (24 Vac/dc) to wire 7 (orange).  
Allow the actuator shaft coupling to rotate from 90° to 0°.
2. Check Spring Return:
  - a. Apply a control signal (24 Vac/dc) to wire 6 (violet).  
Allow the actuator shaft coupling to rotate half way.
  - b. Disconnect wire 1 (red).  
The spring returns the actuator shaft coupling to the fail-safe **0** position.
  - c. Connect wire 1 (red).  
The actuator shaft coupling begins to move.

---

**GQD22x.1U**  
**Two-Position**  
**120 Vac**

1. Check Operation:
  - a. Switch on 120 Vac power.
  - b. Allow the actuator shaft coupling to rotate from 0 to 90°.
2. Switch off power.  
The actuator shaft coupling will return to the **0** position.
3. Check Spring Return:
  - a. Switch on 120 Vac power.
  - b. Allow the actuator shaft coupling to rotate halfway.
  - c. Switch off 120 Vac power.  
The spring returns the actuator shaft coupling to the fail **0** position.

---

**Service**



**WARNING:**

Do not open the actuator.  
If the actuator is inoperative, replace the unit.

---

**Troubleshooting**



**WARNING:**

**To avoid injury or loss of life, pay attention to any hazardous voltage (For example, 120 Vac) when performing checks.**

- Check that the wires are connected correctly.
  - Check that DIP switch is set correctly, if used.
  - Use a Digital Multimeter (DMM) to verify that the operating voltage is within range.
  - If the actuator is not working, check the damper for blockage.
  - If blocked, remove the obstacle and cycle the actuator power off and on. The actuator should resume normal operating mode.
-

## Dimensions

In Inches (Millimeters)

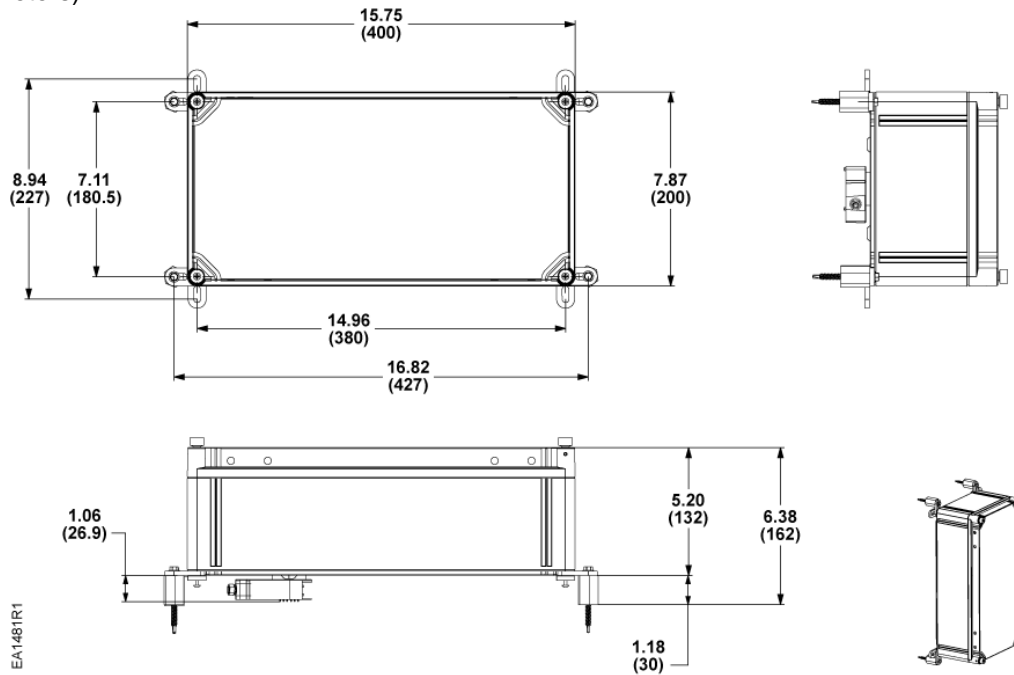


Figure 13. Dimensions of the ASK75.7U Weather Shield in Inches (Millimeters).

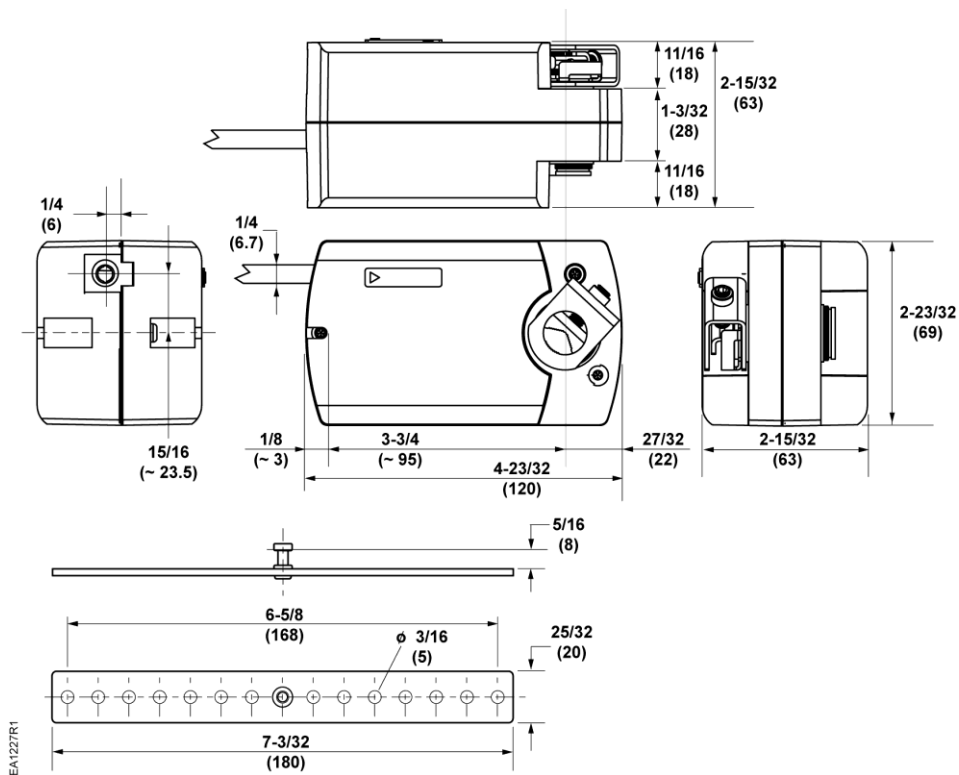


Figure 14. GQDxx6.1x Actuator and Mounting Bracket.

## Dimensions, Continued

In Inches (Millimeters)

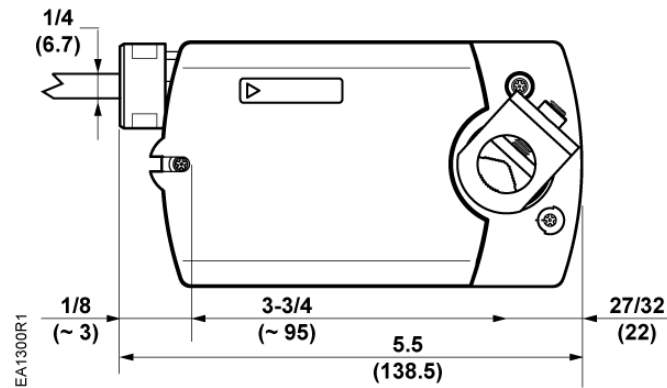


Figure 15. GQDxx1.1x Actuators Only.

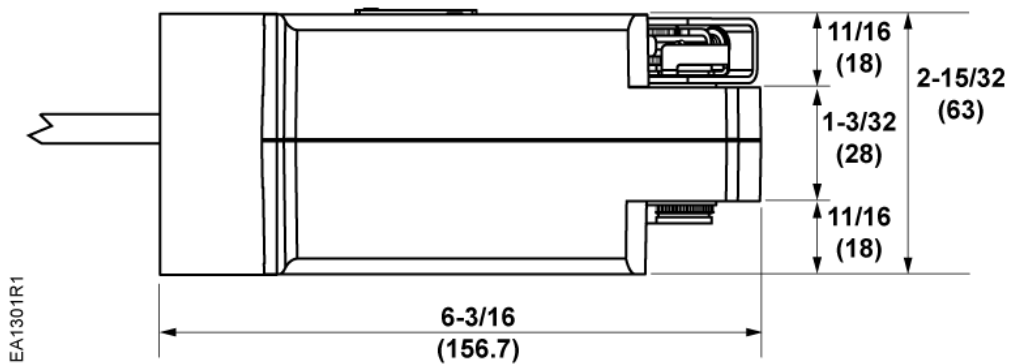


Figure 16. GQDxx6.1x with Conduit Box.

Information in this publication is based on current specifications. The company reserves the right to make changes in specifications and models as design improvements are introduced. OpenAir is a registered trademark of Siemens Schweiz AG. Other product or company names mentioned herein may be the trademarks of their respective owners. © 2019 Siemens Industry, Inc.