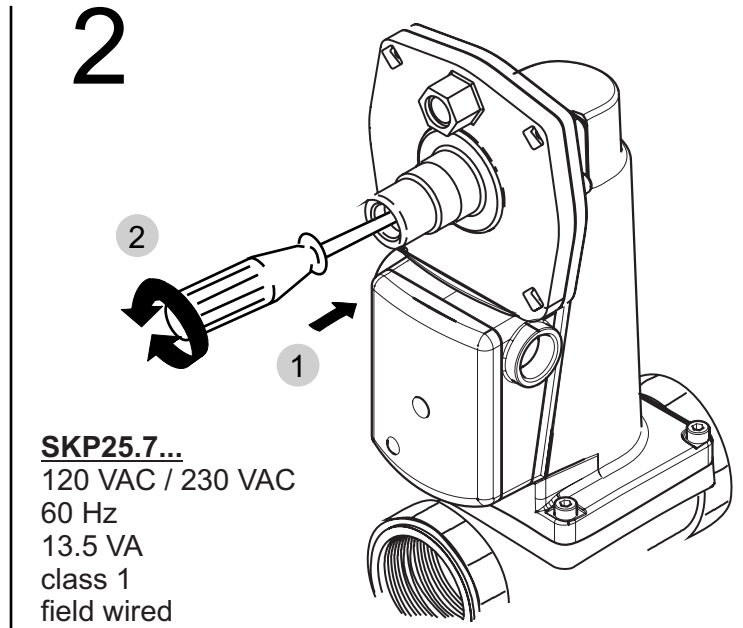
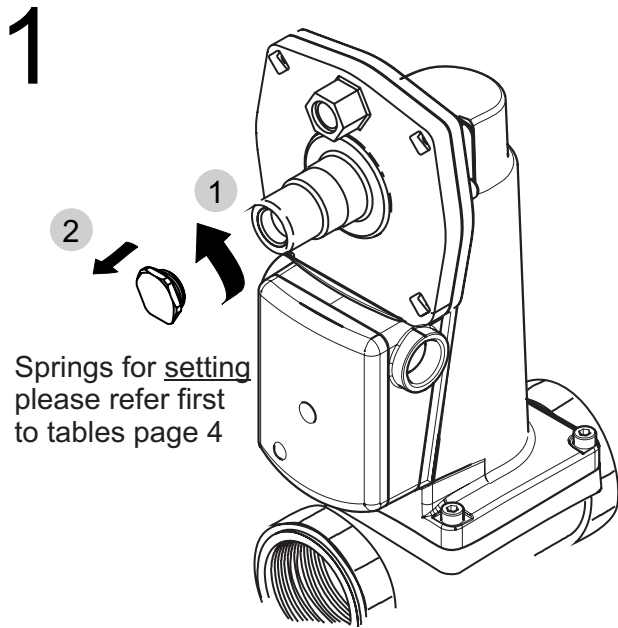


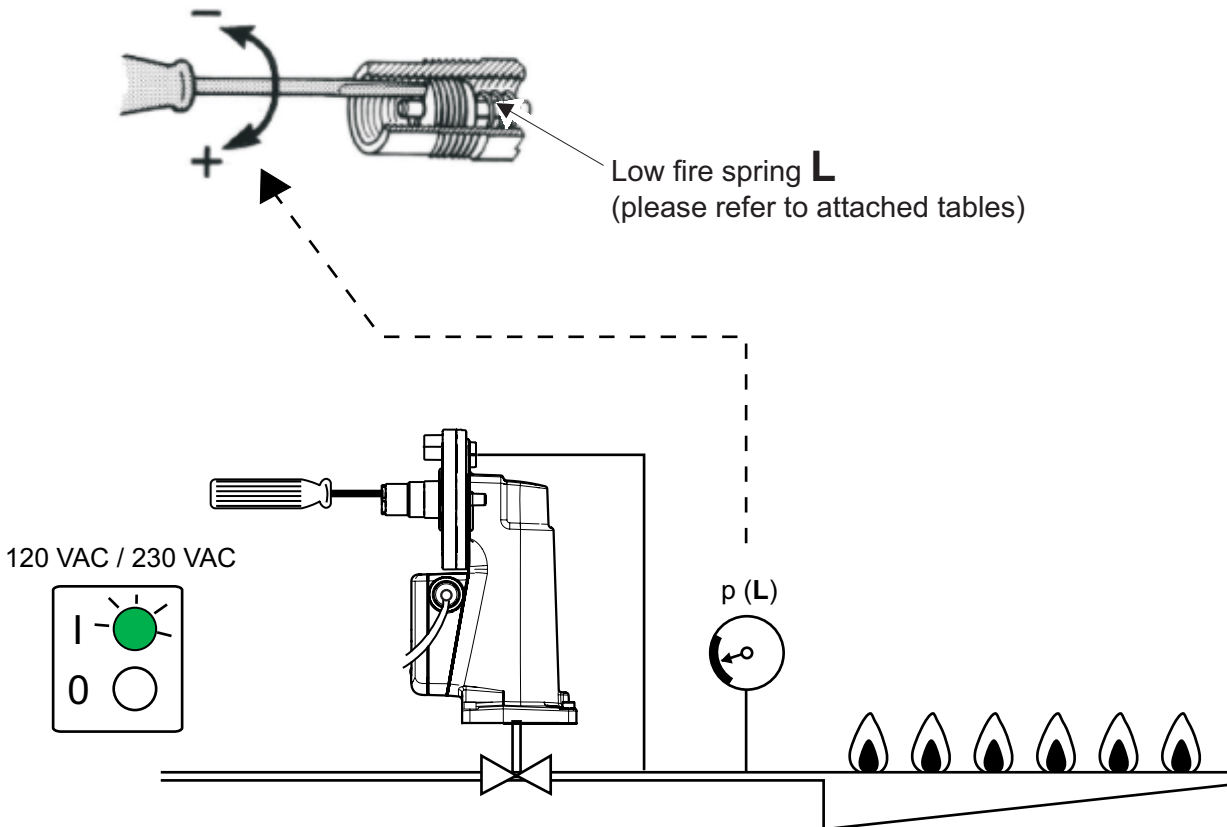
Motor driven set point control SQS67U...
for use with SKP25.7...

SQS67U...

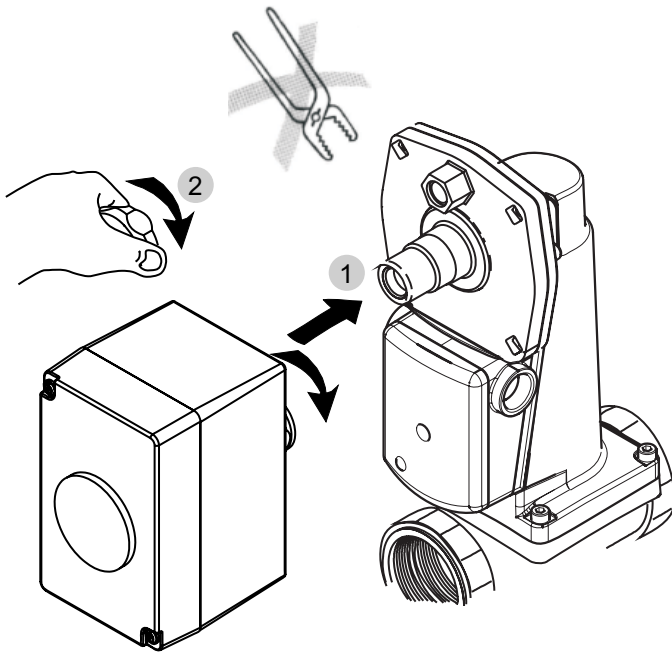


2a

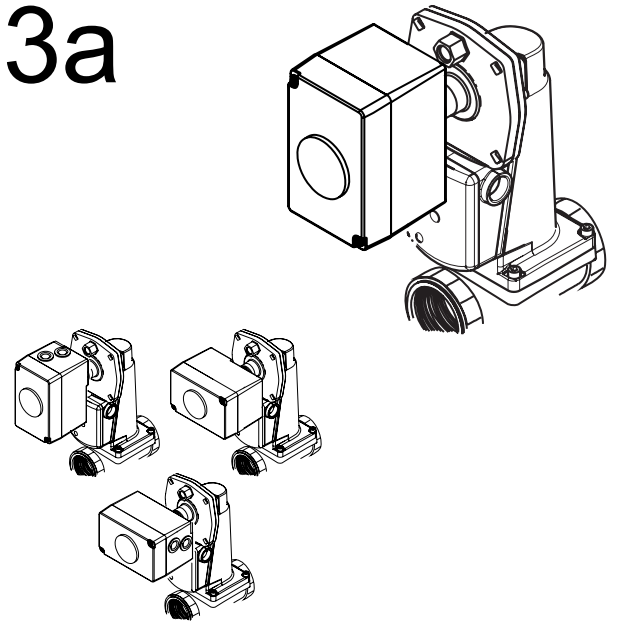
Low fire setting



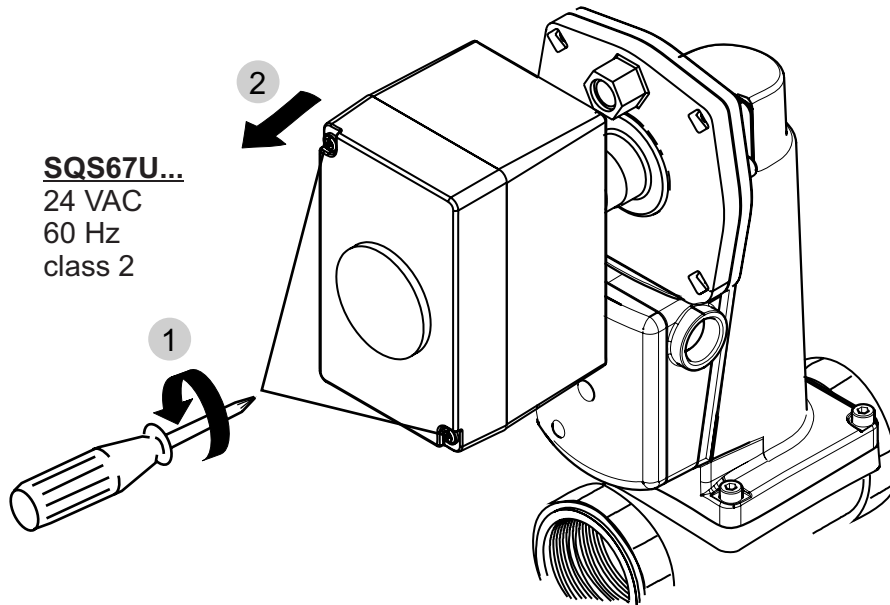
3



3a



4

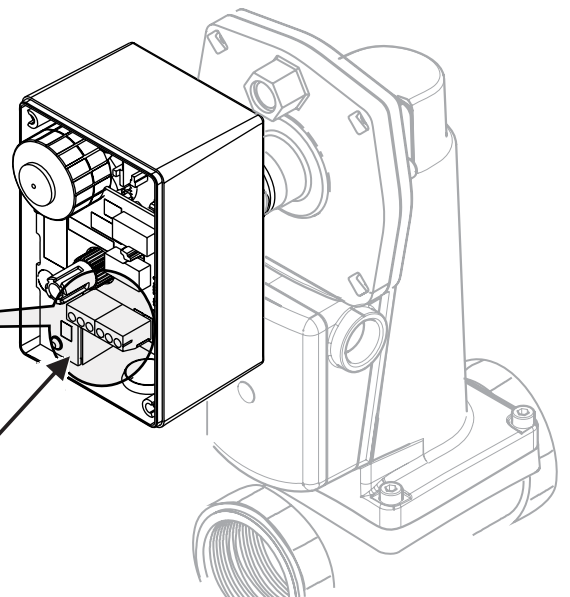


5

Wiring

U	+	→	0 ... 10 V, max 0.5 mA
M	-		
R	+	←	0 ... 1000 Ω (R-M ← clip wire)
Y	+	←	0 ... 10 V, max 0.1 mA
G	~		AC 24 V <input type="checkbox"/> Operating voltage
G0	-	~	AC 24 V <input type="checkbox"/> AC 24 V, 60 Hz

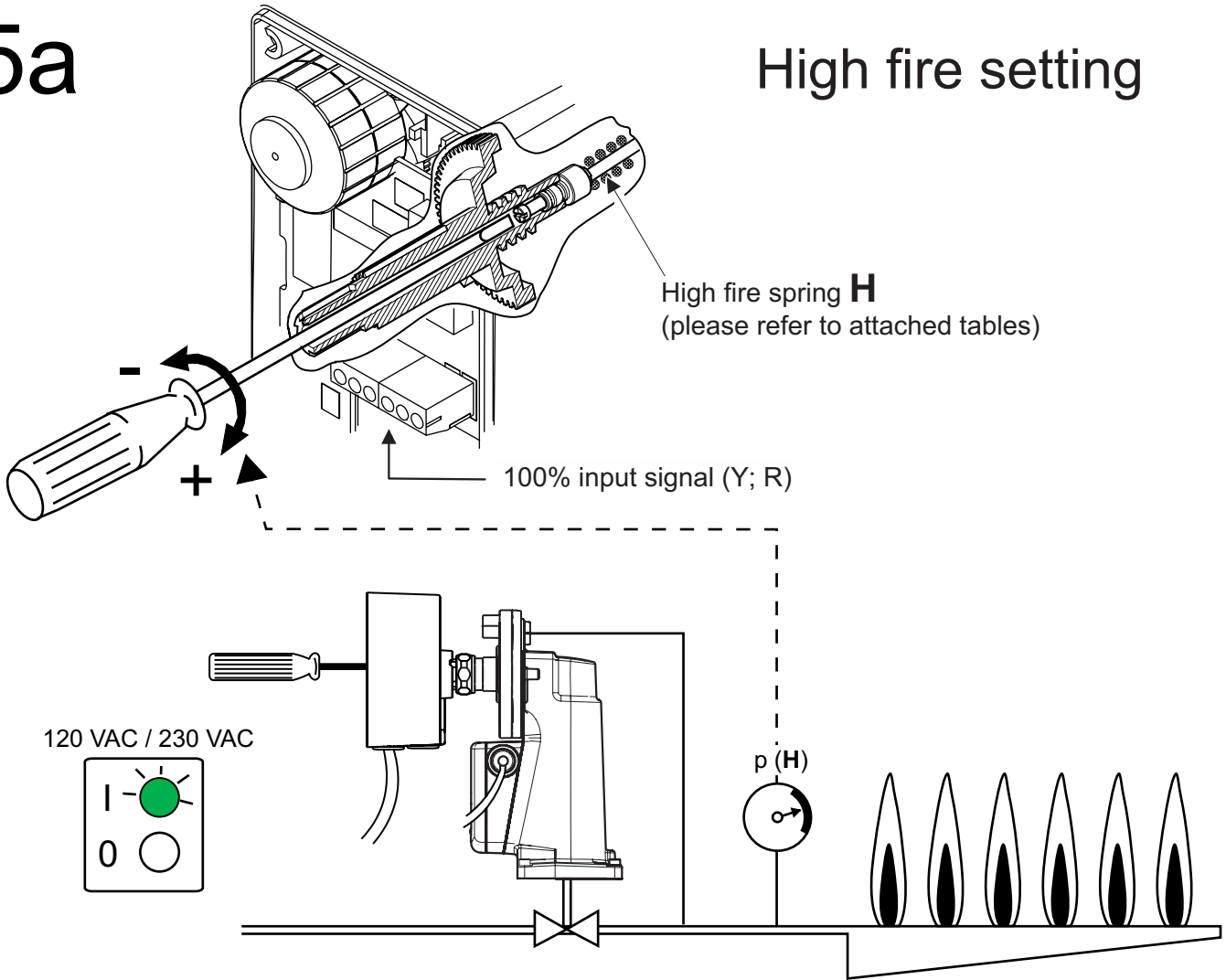
U: No safety circuits (monitoring only).
R; Y: Load modulation within low/high fire settings.



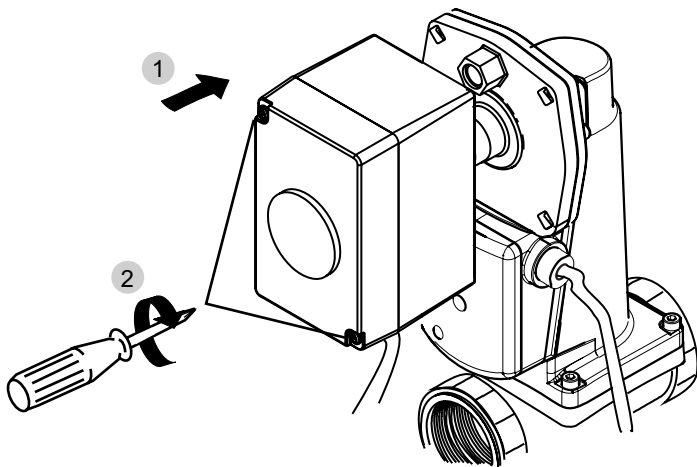
Jumper AC for proportional input signal (Y; R) to flow operation (default factory setting).
Jumper CB for proportional input signal (Y; R) to pressure operation.

5a

High fire setting

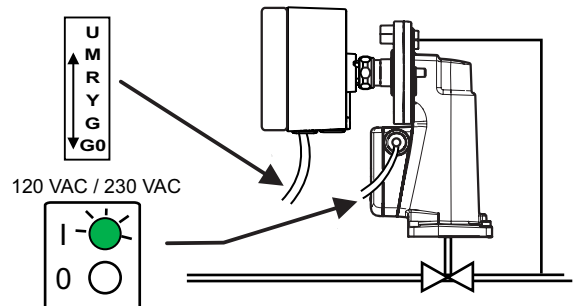
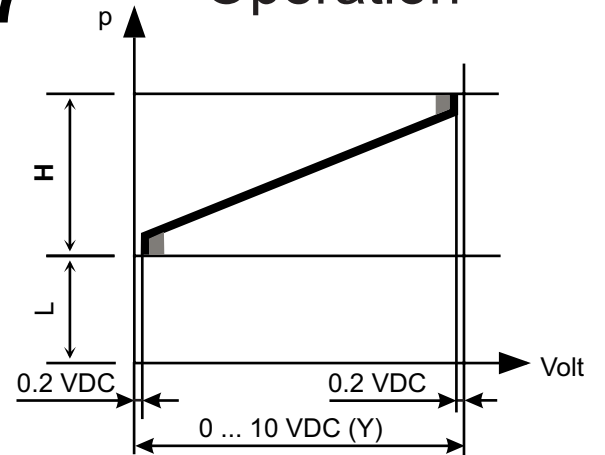


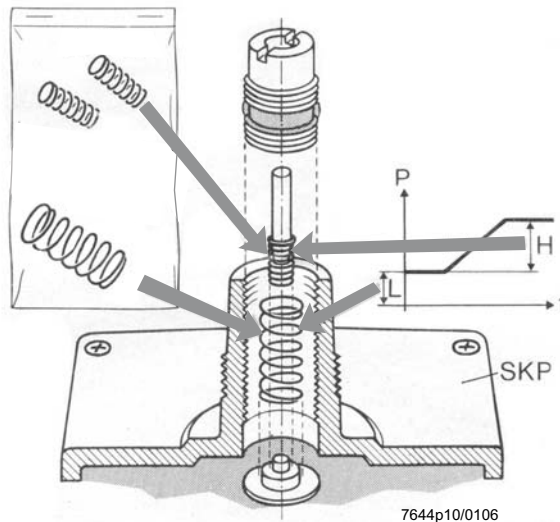
6



7

Operation





SKP25.71xUxH

Feder/Spring/Ressort L (Ø 12 ... 13 mm) Low fire spring		
Farbe/Color/Couleur	psi ± 5%	mbar ± 15%
stahlfarben/steel-colored/ couleur acier *	0.45	30
grün/green/vert	1.33	90
blau/blue/bleu	2.8	190
gelb/yellow/jaune	11.6	800
rot/red/rouge	22	1500

Feder/Spring/Ressort H (Ø 7 ... 8 mm) High fire spring		
Farbe/Color/Couleur	psi ± 5%	mbar ± 15%
Weiß/white/blanc	0.9	65
stahlfarben/steel-colored/ couleur acier *	1.85	130
rot/red/rouge	4.2	290
grün/green/vert	8.1	560
* Standard/Default		

SKP25.71xUx

Feder/Spring/Ressort L (Ø 12 ... 13 mm) Low fire spring		
Farbe/Color/Couleur	psi ± 5%	mbar ± 15%
stahlfarben/steel-colored/ couleur acier *	0.06	4
grün/green/vert	0.2	13
blau/blue/bleu	0.4	27
gelb/yellow/jaune	1.65	114
rot/red/rouge	3.2	220

Feder/Spring/Ressort H (Ø 7 ... 8 mm) High fire spring		
Farbe/Color/Couleur	psi ± 5%	mbar ± 15%
weiß/white/blanc	0.13	9
stahlfarben/steel-colored/ couleur acier *	0.26	18
rot/red/rouge	0.6	40
grün/green/vert	1.16	80
* Standard/Default		