

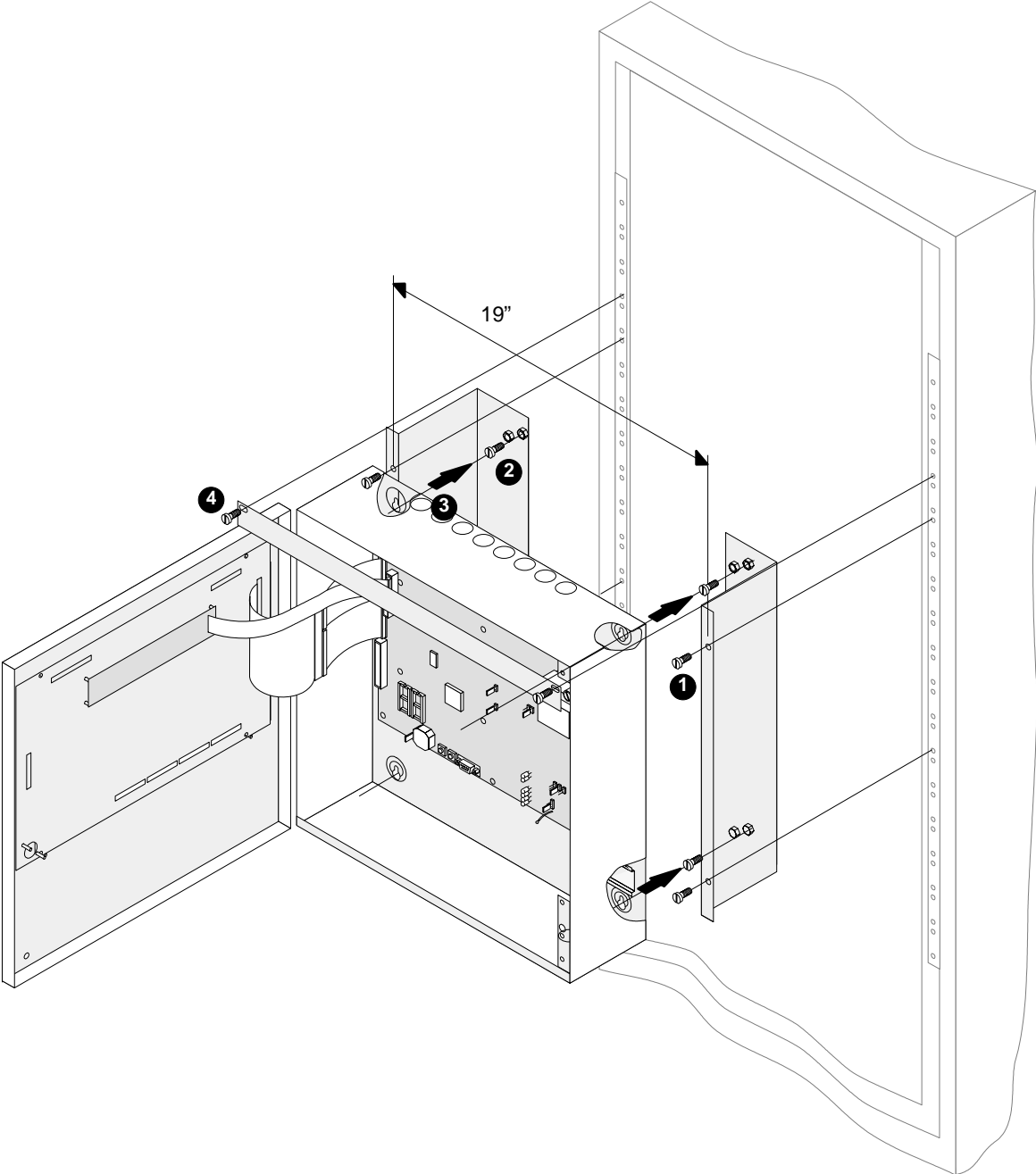
SIEMENS

Z3G290
Adapter-Set 19"

Montage

Z3G290
Adapter set 19"

Installation



Bestellangaben**Details for ordering**

Z3G290

5661590001

Adapter-Set 19"

Adapter set 19"

Siemens Schweiz AG
Building Technologies Group
International Headquarters
Gubelstrasse 22
CH-6301 Zug
Tel. +41 41 - 724 24 24
Fax +41 41 - 724 35 22
www.sbt.siemens.com

© 2007 Copyright by
Siemens Switzerland Ltd
Liefermöglichkeiten und technische Änderungen vorbehalten.
Data and design subject to change without notice.