

SIEMENS

FC700A Fire detection system

**Inscription strip templates for
indication and operation
equipment**

Data and design subject to change without notice. / Supply subject to availability.

© Copyright by
Siemens Building Technologies AG

We reserve all rights in this document and in the subject thereof. By acceptance of the document the recipient acknowledges these rights and undertakes not to publish the document nor the subject thereof in full or in part, nor to make them available to any third party without our prior express written authorization, nor to use it for any purpose other than for which it was delivered to him.

About this document.....	4
Control terminal B3Q700, Specimen.....	5
Control terminal B3Q700, Worksheet	6
Floor repeater panels B3Q580/59x, Specimen, Worksheet	7
Parallel indicator panel B3R051, Specimen	8
Parallel indicator panel B3R051, Worksheet.....	9

About this document

Purpose

If necessary, the provided fonts must be installed on your computer before editing the templates. Excessive word lengths in foreign languages may be reduced by setting the character spacing to condensed. It is not permitted to use other fonts than the ones used in the respective specimen!

The worksheets shall be completed in your local language and/or site-specific inscription. Afterwards, they can be printed and cut out along the indicated lines.

To avoid uneven surfaces on certain operating terminals, paper of no more than 120 g/m² is recommended!

Scope

This document contains inscription strip templates for all terminal and indication equipment.

Instruction (MS WORD 2000)

[Tab] or Cursor = move to next field
[Shift] + [Tab] = move to previous field
[Shift] + [CR] = line feed
[CR] = not allowed

Modification index

Version	Date	Brief description
e007894_a_en_--	. 2004	First edition

Control terminal B3Q700, Specimen

Scroll alarms

FCA... (8/8)
Part Nr. A5Q0000....

SIEMENS

FC700A

FCA... (2/8)
Part Nr. A5Q0000....

FCA... (1/8)
Part Nr. A5Q0000....

ALARM

B3Q700

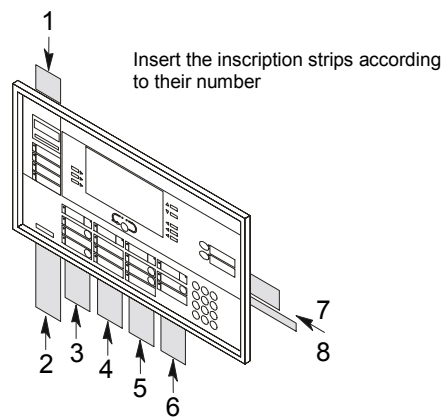
<p>Alarms</p> <p>Alarm device active</p> <p>Remote alarm active</p> <p>Alarm delay off</p> <p>FCA... (3/8) Part Nr. A5Q0000....</p>	<p>Faults</p> <p>Alarm device fault</p> <p>Remote transmission fault</p> <p>System fault</p> <p>FCA... (4/8) Part Nr. A5Q0000....</p>
<p>Isolation</p> <p>Alarm device off</p> <p>Remote Alarm off</p> <p>Detector test mode</p> <p>FCA... (5/8) Part Nr. A5Q0000....</p>	<p>Information</p> <p>Premises manned</p> <p>System on</p> <p>FCA... (6/8) Part Nr. A5Q0000....</p>

NOTE: Cut off the grey triangles

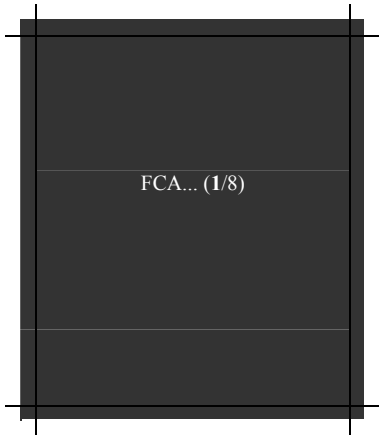
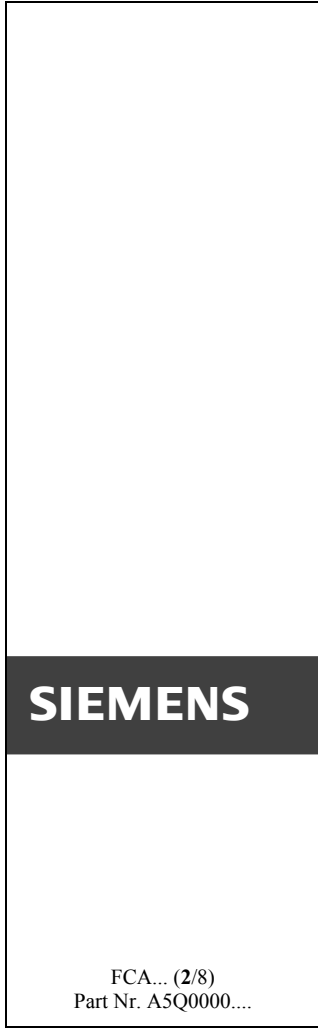
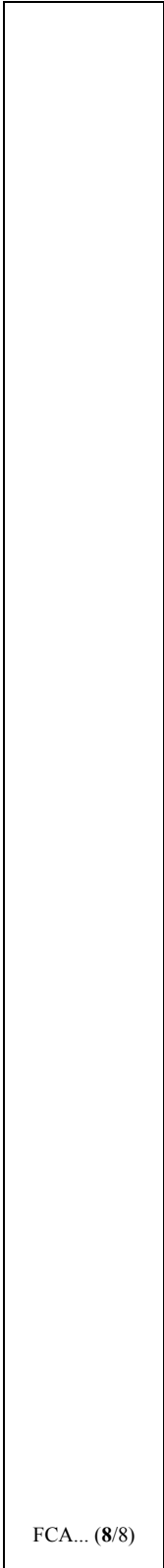
Acknowledge

Reset

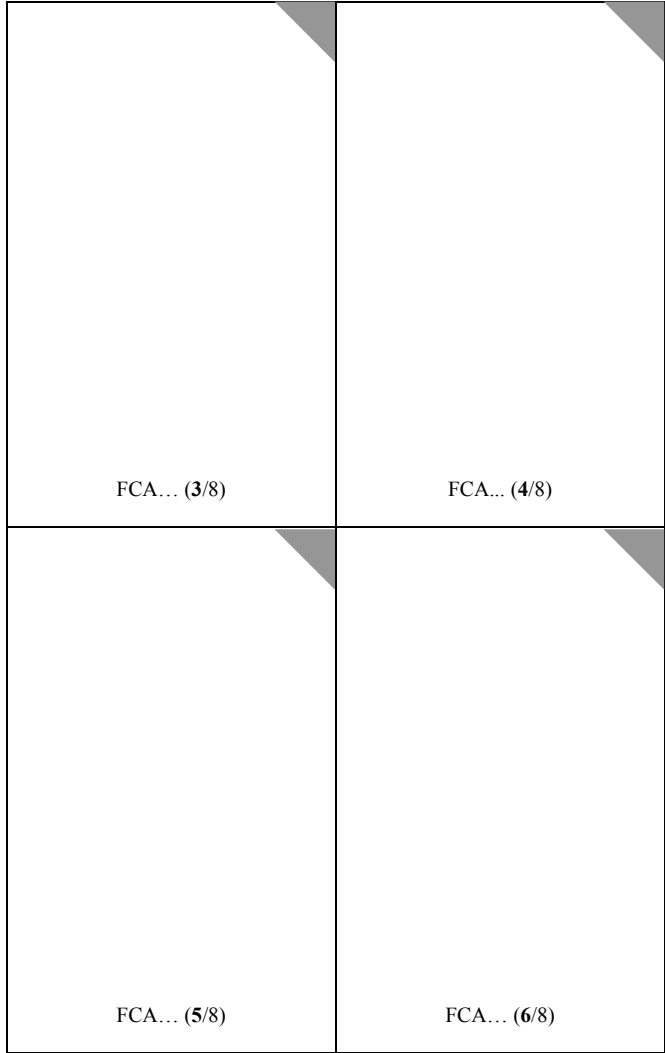
FCA... (7/8)
Part Nr. A5Q0000....



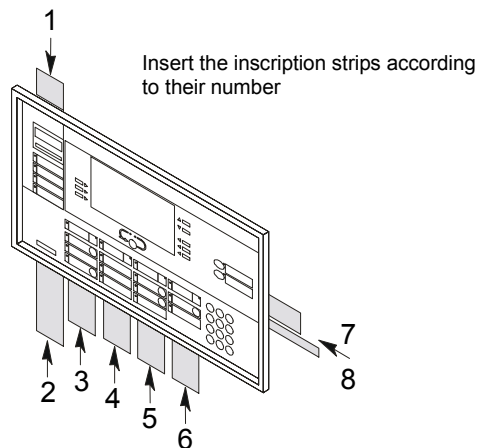
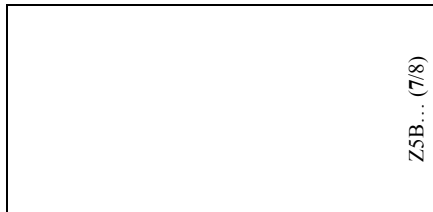
Control terminal B3Q700, Worksheet



B3Q700



NOTE: Cut off the grey triangles



Floor repeater panels B3Q580/59x, Specimen, Worksheet

Specimen

	Alarm	
Alarm	Remote alarm active	
Fault	Warning	1)
System ON	Fault	1)
	Spare	1)
B3Q580 (1/3)	B3Q59x (2/3)	

Work sheet

B3Q580 (1/3)	B3Q59x (2/3)	

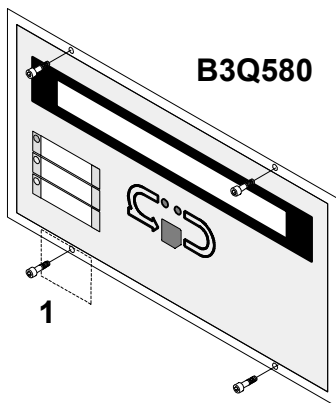
1) If programmed accordingly

Specimen

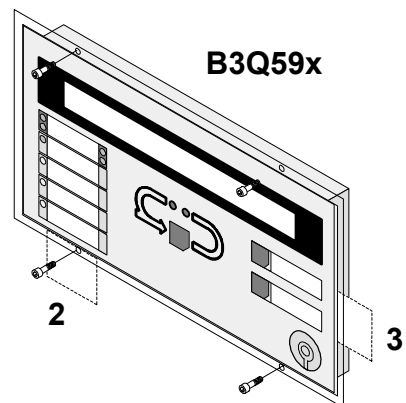
Acknowledge (3/3)
Reset

Work sheet

(3/3)



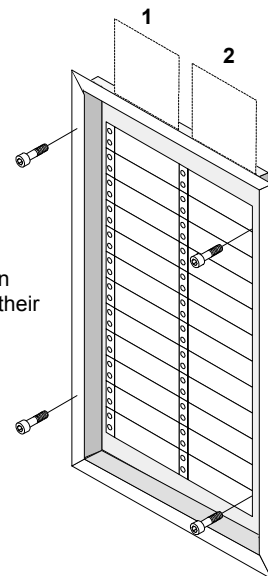
Insert the inscription strips according to their number



Parallel indicator panel B3R051, Specimen

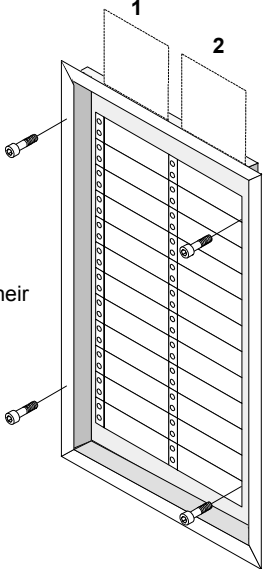
B3R051 (1/2)	B3R051 (2/2)
Room 202 Entrance	Room 243 West
Entrance Telephone	
Kitchen Wards apartment 5 th floor	
Roof	
Room 424 East	
Chief office	

Insert the inscription
strips according to their
number



Parallel indicator panel B3R051, Worksheet

B3R051 (1/2)	B3R051 (2/2)



Insert the inscription strips according to their number

Siemens Building Technologies AG
Alte Landstrasse 411
CH-8708 Männedorf
Tel. +41 1 - 922 61 11
Fax +41 1 - 922 64 50
www.sibt.com