

Cerberus® CDI-WAN MP1.1

LMS Router

NK8210

The NK8210 LMS Router acts as a communication front-end for LMSmodular management stations providing TCP/IP network connections to safety and security subsystems.

- **Ethernet TCP/IP connectivity for safety and security subsystems**
- **Efficient and safe communication protocol designed specifically for safety and security applications**
- **Quick and easy to install as additional LMSmodular module**
- **Configuration performed via simple, intuitive tool (NW8201) that supports simultaneous configuration of NK8223 CDI-Ethernet Ports**

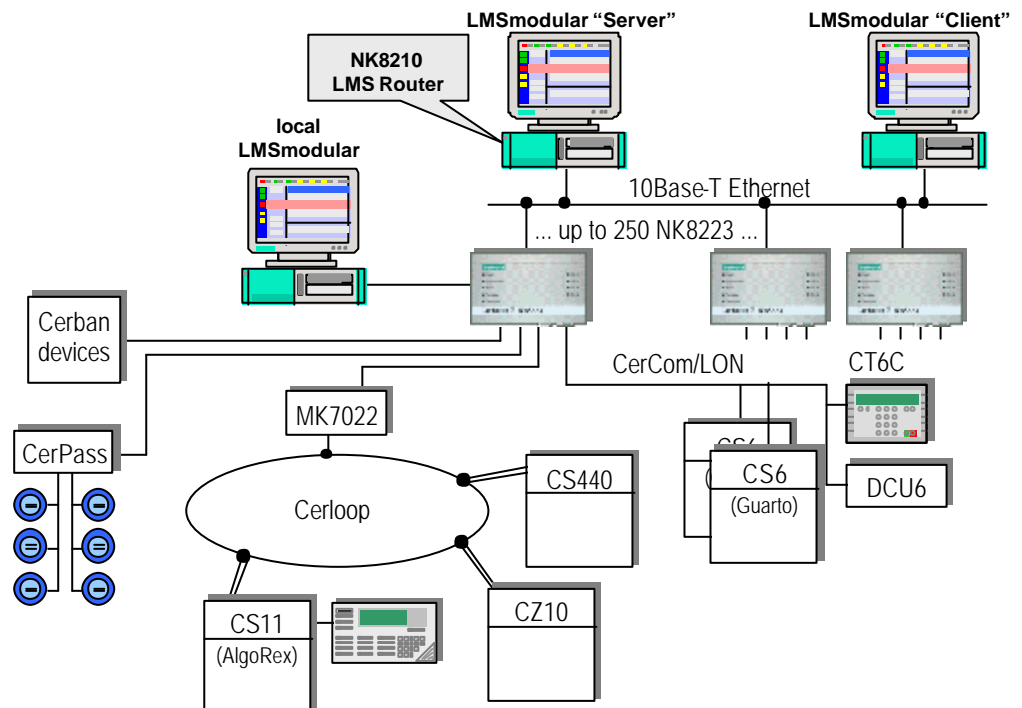
General Characteristics

The NK8210 LMS Router is a Windows 2000 or XP service that runs in the background on the central management station. The protocol used by NK8210 and NK8223 has been optimised for a structured network, limiting network traffic to system communications (rather than continuous polling).

Subsystems are connected to NK8223 CDI-Ethernet Ports, which provide a first level of centralisation and act as a secure communication partner for the NK8210 LMS Router. An encryption and authentication option is also available for a secure network connection to remote sites.

Technical Characteristics

- Based on standard workstation or server hardware (Windows 2000 or XP)
- Various possible network connections (based on NK8223 configuration), managed via suitable workstation hardware adapters, including:
 - Ethernet TCP/IP (possibly including gateways/routers to Frame relay/ATM etc.)
 - Token Ring TCP/IP (possibly including gateways/routers to SNA etc.)
 - Secondary connection via modem over public switched telephone network (PSTN)
- Connections for:
 - LMSmodular management station
 - Up to 20/250/500 NK8223 CDI Ethernet ports, depending on the management station software
- Compatibility with management software:
 - GW20 emulation mode for LMSmodular R2.46 (max. 20 NK8223s)
 - Extended addressing mode for LMSmodular R2.50 (max. 250 NK8223s)
- Configuration and monitoring tool (NW8201) is available on the PC workstation
- Centralisation of SBT control units and third-party subsystems.



System Requirements

NK8210 workstation	Hardware	Processor: Pentium III or IV 400MHz or later, min. 128 MB RAM, Min. 1GB HD, CD-ROM, floppy disk drive
	Operating system	Windows 2000, Service Pack 2 or 3 Windows XP professional
Extended Requirements (according to configuration)	LAN adapter	
	suggested adapters:	
	For Ethernet connections: 3COM products (see http://www.3com.com/)	Ethernet 10/100 Mbit/s, check PC bus (typically PCI)
	For Token Ring connections: IBM products (see http://www.ibm.com/)	Token ring 4/16 Mbit/s, check PC bus (typically PCI)
	RS232 serial expansion adapter: DIGI AccelePort products (see http://www.digi.com/)	2, 4, or 8 serial ports, check PC bus (typically PCI)

Technical Data

Line to LMSmodular workstation	No external line is required	NK8210 is local to the LMSmodular PC
	LAN Ethernet	If NK8210 is installed on a dedicated server
Network connection to NK8223	LAN Ethernet	Ethernet adapter for 10Base-T / 100Base-TX <i>note that the remote NK8223's only support 10Base-T</i>
	LAN Token Ring	Token Ring adapter for 16/4 Token Ring; <i>note that the remote NK8223's require specific hardware for Token Ring connection, please contact support</i>
Lines to switched network	4 serial lines equipped with modem V.32bis Hayes	9600 baud
Software compatibility with	LMSmodular R2.46	Limited to GW-20 emulation mode: Connectivity of max. 20 NK8223's
	LMSmodular R2.50	Full addressing mode: Connectivity of max. 250 NK8223's

Details for ordering

NK8210 LMS Router Software, for installation on a LMS station sharing the same hardware licens key

Type	Part no	Designation	Notes
NK8210.1/LMS	A6E600085	Software license for central LAN/WAN communication software, supporting max. 1 NK8223	
NK8210.5/LMS	A6E600061	Software license for central LAN/WAN communication software, supporting max. 5 NK8223	
NK8210.10/LMS	A6E600062	Software license for central LAN/WAN communication software, supporting max. 10 NK8223	
NK8210.20/LMS	A6E600063	Software license for central LAN/WAN communication software, supporting max. 20 NK8223	
NK8210.30/LMS	A6E600064	Software license for central LAN/WAN communication software, supporting max. 30 NK8223	
NK8210.40/LMS	A6E600065	Software license for central LAN/WAN communication software, supporting max. 40 NK8223	
NK8210.XX/LMS	-	Software license for central LAN/WAN communication software, supporting over 40 NK8223	please contact support

NK8210 LMS Router Software, for installation on a dedicated server

Type	Part no	Designation	Notes
NK8210.1	A6E600084	Software license for central LAN/WAN communication software, supporting max. 1 NK8223	
NK8210.5	A6E600056	Software license for central LAN/WAN communication software, supporting max. 5 NK8223	
NK8210.10	A6E600057	Software license for central LAN/WAN communication software, supporting max. 10 NK8223	
NK8210.20	A6E600004	Software license for central LAN/WAN communication software, supporting max. 20 NK8223	
NK8210.30	A6E600058	Software license for central LAN/WAN communication software, supporting max. 30 NK8223	
NK8210.40	A6E600059	Software license for central LAN/WAN communication software, supporting max. 40 NK8223	
NK8210.XX	-	Software license for central LAN/WAN communication software, supporting over 40 NK8223	please contact support

Note: All necessary CDI-WAN configuration tools are included in the ordering codes mentioned above.

Technical documentation

Type	Doc. no	Designation	Notes
Technical manual	e4414b	CDI-WAN Technical manual	

