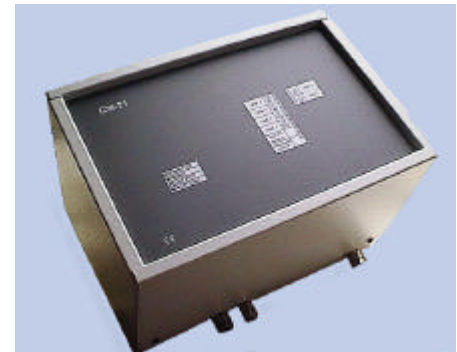
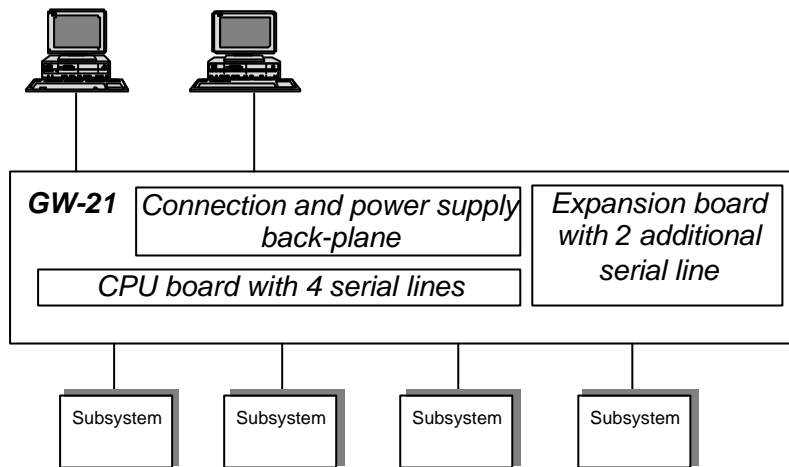


Gateway

GW-21



The Gateway GW-21 acts as communication front-end of a presentation system that could be either an LMS /CMS or a foreign system. It complies with latest European standards for emissions and immunity and replaces the GW-01. Power supply is galvanically isolated.

Features

- Low cost front-end solution for up to 4 subsystems and 2 presentation stations
- Multiple protocols and multiple/selective routing of the message traffic
- Interactions among the subsystems: an incoming message can trigger one or more command messages to other subsystems
- It can be used as local concentrator in a 2-level network with a central GW-20 front-end
- GW-21 is composed by:
 - Processor board with serial communication capability
 - optional Expansion board for additional lines
 - Back-plane board for connections and power regulation
- Processor board equipped with 4 serial channels, Flash EPROM, RAM, RTC, LonWorks™ communication co-processor, configuration dip-switches, diagnostic LEDs
- Expansion board capable of handling 2 more serial ports
- Back-plane board allocating terminal connectors for connection to up to six serial communication lines; power supply block for direct 10/30 V DC power

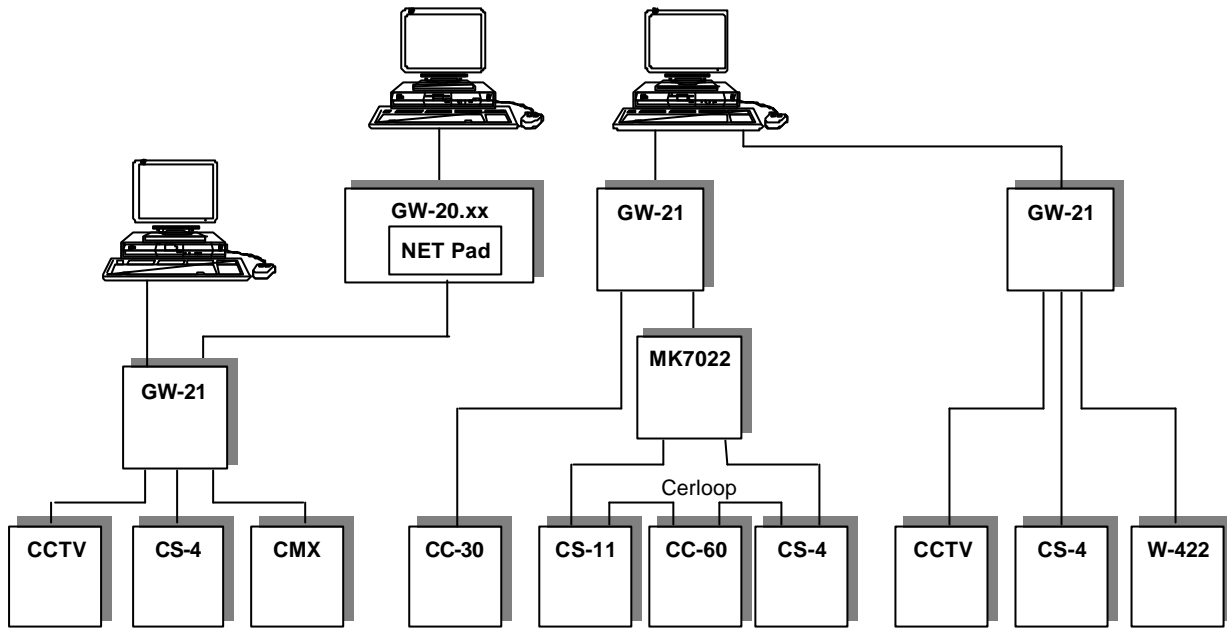
source. Easy to install into CS4 and CS11 cabinets.

- Memory buffers and Real Time Clock (RTC) on board for storing and time-stamping events autonomously
- External 10/30V DC power source
- GW-21 allows for 2 configurations:
 - GW-21.04: 4 serial lines
 - GW-21.06: 6 serial lines
- Software tools for configuration available; configuration data stored on Flash EPROM
- For each communication lines two separate LEDs indicate the TX/RX status
- CE label: GW-21 complies with European regulation about emission and immunity
- Options: BOX-21 cabinet; PS-21 power supply unit

GW-21 configurations:

- GW-21.04 1 line for presentation system/higher level GW-20, and 3 lines for subsystems or 2 lines for presentation systems/higher level GW-20s, and 2 lines for subsystems
 - GW-21.06 2 lines for presentation systems/higher level GW-20s, and 4 lines for subsystems
- Options:
- PS-21: 100-240 Vac power supply with 10-hour battery backup
 - BOX-21 housing for GW-21 and PS-21

Configuration examples



Technical Data

Supported Protocols	<ul style="list-style-type: none"> - CDDL/CMSDL for LMS/CMS systems - Cerban (CZ10/12, CC4 via CK4, CC11 via CK11, CC60) - Cerban (STT-10, STT-11 via STK-11) - ISO 1745 MK-7022 / Cerloop - CerTalk (CC30 Cerpass) - SIZE (Transliner) - CMX-DL (CMX - CF-9003 I/O devices) - CCTV Comerson (CDDL/CDSF) - SEEP (Westinghouse SExxx) - 8x00 Allegiant - Burle CCTV - CDDL/CDSF for Siemens Simatrix CCTV - CDDL/CDSF for Comerson CCTV MX series - CDDL/CDSF Subsystem PAD (for foreign subsystem) 	<ul style="list-style-type: none"> up to 9600 baud 300 or 600 baud 300 baud 1200 or 2400 baud 9600 baud 9600 baud up to 9600 baud (4800 suggested) 9600 baud up to 9600 baud 1200 baud 9600 baud 9600 baud up to 9600 baud
Connectors Configuration	on Back-plane: terminals for all six comm. Lines Jumpers and Flash EPROM	
GW-21 Power supply requirements	External DC power supply Input voltage Maximum current absorption	from 10 to 30 V DC 250 mA
PS-21 optional Power supply unit Requirements Output	External AC power supply Input voltage Maximum current absorption Output voltage Current	100-240 V AC, 50/60 Hz 2 A 13.8 V DC 4 A
Operating conditions	Temperature range Humidity	0 to 50 °C 10 to 95 % non condensing
Dimensions	GW-21 BOX-21	130 (H) x 80 (D) x 175 (W) mm 200 (H) x 200 (D) x 300 (W) mm
Weight	GW-21 BOX-21, including GW-21 and PS-21	500 gr 9 kg

Siemens Building Technologies
Cerberus Division
CH-8708 Männedorf
Alte Landstrasse 411
Tel. +41 1-922 61 11
Fax +41 1-922 64 50
www.cerberus.ch



Cerberus
Security
for People
and Assets