

Sinteso™/ Cerberus™ PRO

## FDM225, FDM226

Manual call points



### Manual call points with direct activation for the FDnet/C-NET automatic addressable detector bus

- Manual call points for addressed Sinteso FS20 and Cerberus PRO FS720 fire detection systems
- Direct activation: type 'A' according to EN 54-11
- Communication via the FDnet/C-NET detector line (addressed individually)
- FDM225 for surface and recessed mounting
- FDM226 for surface mounting with protection category IP66
- Either glass insert or resettable plastic insert
- Special FDM225 housing designs available for the French market:
  - FDM225-RG (F) with glass insert
  - FDM225-RP (F) with plastic insert
- Two-wire installation for all cable types

**Features**

- Integrated line separator: The defective part on the detector line is located by the fire control panel and isolated between two FDnet/C-NET devices.
- Built-in alarm indicator (LED)
- Address automatically issued during commissioning
- Protected electronics
- Connection terminal DBZ1190-AB (accessory) can be mounted if shielded cables are used

**Eco-friendly**

- Environmentally friendly processing
- Reusable materials
- Electronic parts and synthetic materials can be easily separated

**Use**

- For the immediate manual activation of a fire alarm
- Suitable for indoor and outdoor applications

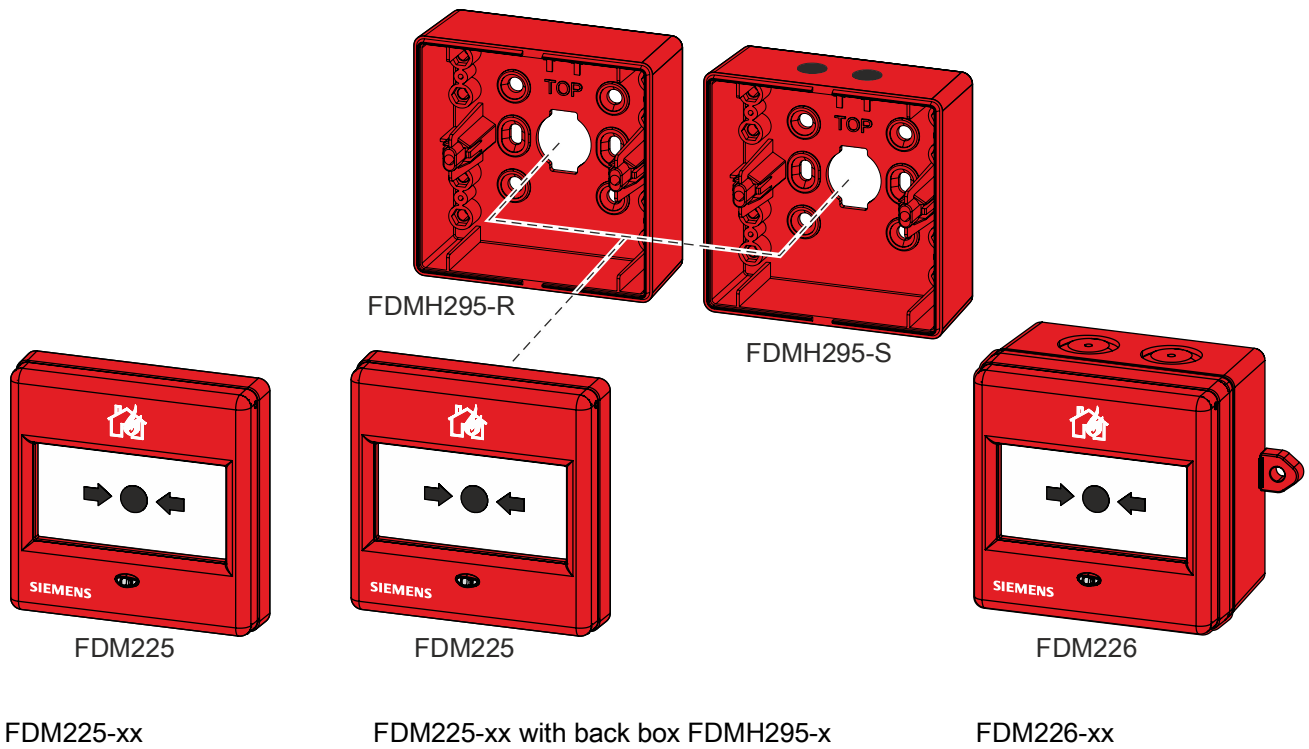
**Types of mounting**

The manual call points are suitable for surface and recessed mounting (FDM225-xx) or for surface mounting (FDM226-xx) in easily accessible locations.

Device / Accessory	Recessed mounting	Surface mounting
FDM225-RG with glass insert	X	X
FDM225-RP with resettable plastic insert		
FDMH295-R back box	–	X
FDMH295-S back box with holes and grommets		
FDM226-RG	–	X
FDM226-RP		

X = device/accessory required for this type of mounting

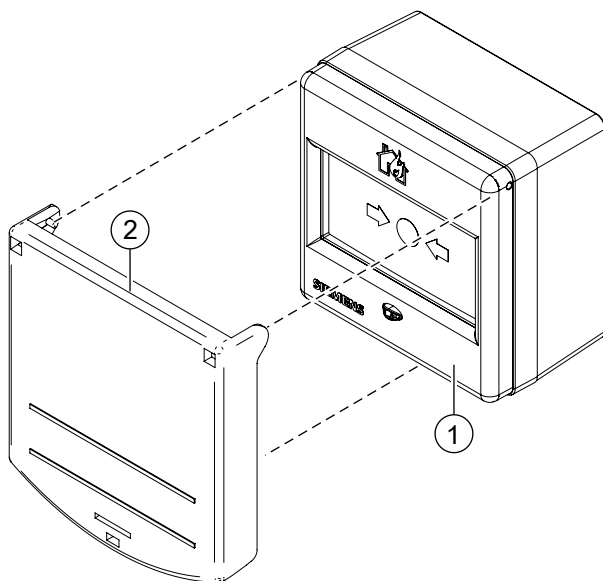
– = not required for this type of mounting



- If you use back box FDMH295-R with the FDM225-xx, a hole with  $\varnothing \leq 20$  mm must be drilled in the back box for the surface-mounted cable entry. Use metal cable gland M20 x 1.5 with metal counter nut M20 x 1.5 (accessories).
- The manual call point FDM226-xx has two break-out openings on the top and two on the bottom of the housing for cable entry purposes.
- If protection category IP66 is to be achieved with the FDM226-xx, the lateral fastening tabs must be used to mount the back box. Cable entry must be effected using metal cable gland M20 x 1.5 and metal counter nut M20 x 1.5 (accessories).

### Function of manual call points FDM225-RG and FDM226-RG

- Direct alarm activation by pushing in the glass insert
- Manual call point reset by replacing the glass insert
- Protective cover FDMC295 (accessory) protects the manual call point against the glass being broken and the alarm activated accidentally



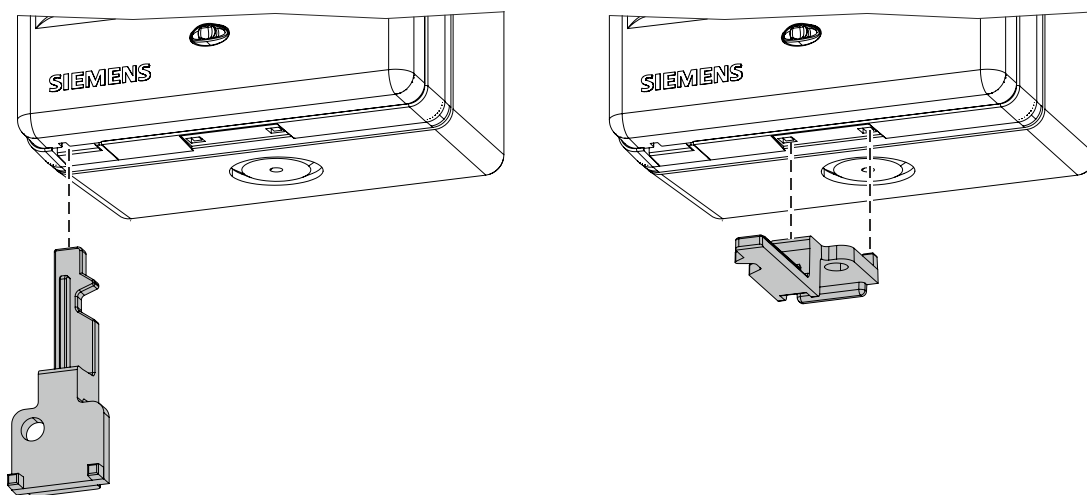
*Installing the protective cover FDMC295*

1 Manual call point FDM225

2 Protective cover FDMC295

### Function of manual call points FDM225-RP and FDM226-RP

- Direct alarm activation by pressing the plastic insert
- Manual call point reset with key FDMK295
- Protective cover FDMC295 (accessory) protects the manual call point against the glass being broken and the alarm activated accidentally



*Using key FDMK295 to reset the manual call point (left) and open the housing (right)*

## Type Overview

Type	Designation	Order no.	Weight [kg]
FDM225-RG	Manual call point with glass element	A5Q00013434	0,102
FDM225-RP	Manual call point with plastic element	A5Q00012020	0,100
FDM225-RG (F)	Manual call point with glass element for 'France'	A5Q00020274	0,102
FDM225-RP (F)	Manual call point with plastic element for 'France'	A5Q00020273	0,100
FDM226-RG	Manual call point with glass element including back box	A5Q00013435	0,196
FDM226-RP	Manual call point with plastic element including back box	A5Q00013436	0,208
FDMH295-R	Back box	A5Q00013437	0,061
FDMH295-S	Back box with holes and grommets	A5Q00013438	0,061
–	M20 x 1.5 metal cable gland	A5Q00004478	0,036
–	M20 x 1.5 metal counter nut	A5Q00004479	0,006
DBZ1190-AB	2.5 mm <sup>2</sup> , 3-pin connection terminal	BPZ:4942340001	0,001
<b>Accessories</b>			
FDMC295	Protective cover	A5Q00013440	0,036
<b>Replacement material</b>			
FDMK295	Key	A5Q00013448	0,001
FDMG295	Glass insert 'Neutral'	A5Q00013442	0,012
FDMP295	Plastic insert 'Neutral'	A5Q00013445	0,008
FDMG295-F	Glass insert 'France'	A5Q00013443	0,012
FDMP295-F	Plastic insert 'France'	A5Q00013446	0,008


## Product documentation


Document ID	Title
008164	Equipment overview Sinteso™ Detector system FD20
A6V10225323	Equipment overview Cerberus™ PRO Detector system FD720
009757	Technical manual Manual call points FDM221, FDM225, FDM226
008331	List of compatibility (for 'Sinteso™' product line)
A6V10229261	List of compatibility (for 'Cerberus™ PRO' product line)

Related documents such as environmental declarations, CE declarations, etc., can be downloaded at the following Internet address: <http://siemens.com/bt/download>

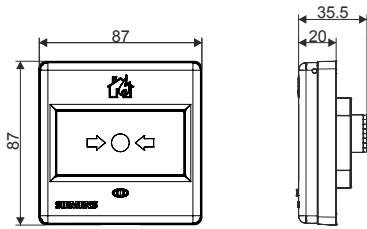
## Technical data

FDnet/C-NET operating voltage	DC 12...33 V			
Operating current (quiescent)	180 µA			
Operating temperature	-25...+70 °C			
Storage temperature	-30...+75 °C			
Air humidity	≤ 95 % rel.			
Communication protocol	FDnet/C-NET			
Connection terminals	0.28...1.5 mm <sup>2</sup>			
Color	~RAL 3000, flame red			
Design according to EN 54-11	Direct activation 'type A'			
Environmental category according to EN 54-11:	<ul style="list-style-type: none"> <li>• FDM225-xx: In buildings</li> <li>• FDM226-xx: In buildings and outdoor areas</li> </ul>			
Color	~RAL 3000, flame red			
Protection category (IEC 60529):	<ul style="list-style-type: none"> <li>• FDM225-xx: IP44</li> <li>• FDM226-xx: IP66</li> </ul>			
Approvals:	<b>FDM225-RP</b>	<b>FDM225-RG</b>	<b>FDM226-RP</b>	<b>FDM226-RG</b>
	<b>FDM225-RP (F)</b>	<b>FDM225-RG (F)</b>		
• VdS	G207092	G207092	G209194	G209194
• LPCB	126ap/01 126ap/10	126ap/02 126ap/11	126ap/03	126ap/04
• DNV GL (Marine)	-	-	45 247 - 16 HH	-
System compatibility:	<ul style="list-style-type: none"> <li>• FDnet: FS20, AlgoRex, SIGMASYS</li> <li>• C-NET: FS720</li> </ul>			

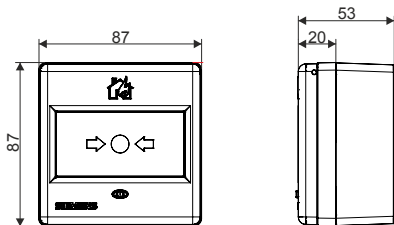
08		0832	<b>FDM225-RG/FDM225-RP/FDM225-RG (F)/FDM225-RP (F)</b>	Siemens Switzerland Ltd; Gubelstrasse 22 CH-6301 Zug Technical data: see doc. <b>009757</b>
FDM225 - Manual callpoint incl. short-circuit isolator for use in fire detection and fire alarm systems installed in buildings.				
305/2011/EU (CPR): EN 54-11 / EN 54-17 ; 2014/30/EU (EMC): EN 50130-4 / EN 61000-6-3 ; 2011/65/EU (RoHS): EN 50581				
The declared performance and conformity can be seen in the Declaration of Performance (DoP) and the EU Declaration of Conformity (DoC), which is obtainable via the Customer Support Center: Tel. +49 89 9221-8000 or <a href="http://siemens.com/bt/download">http://siemens.com/bt/download</a>				
DoP No.: 0832-CPR-F1082; DoC No.: CED-FDM225				

08		0832	<b>FDM226-RG / FDM226-RP</b>	Siemens Switzerland Ltd; Gubelstrasse 22 CH-6301 Zug Technical data: see doc. <b>009757</b>
FDM226 - Manual callpoint incl. short-circuit isolator for use in fire detection and fire alarm systems installed in buildings.				
305/2011/EU (CPR): EN 54-11 / EN 54-17 ; 2014/30/EU (EMC): EN 50130-4 / EN 61000-6-3 ; 2011/65/EU (RoHS): EN 50581				
The declared performance and conformity can be seen in the Declaration of Performance (DoP) and the EU Declaration of Conformity (DoC), which is obtainable via the Customer Support Center: Tel. +49 89 9221-8000 or <a href="http://siemens.com/bt/download">http://siemens.com/bt/download</a>				
DoP No.: 0832-CPR-F1083; DoC No.: CED-FDM226				

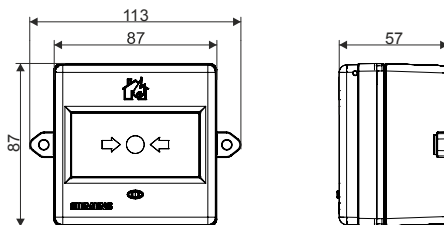
Manual call point FDM225-xx (recessed mounting)



Manual call point FDM225-xx with back box FDMH295-x (surface mounting)



Manual call point FDM226-xx



When mounting protective cover FDMC295 on manual call points, the depth dimension increases by 7 mm accordingly.

Issued by  
Siemens Switzerland Ltd  
Building Technologies Division  
International Headquarters  
Gubelstrasse 22  
CH-6301 Zug  
Tel. +41 41-724 24 24  
[www.siemens.com/buildingtechnologies](http://www.siemens.com/buildingtechnologies)

© Siemens Switzerland Ltd, 2014  
Technical specifications and availability subject to change without notice.