

Manual call point

FDM223H, FDM224H



'Heavy Duty' manual call point addressed (FDnet/C-NET)

- Manual call points for addressed Sinteso FS20 and Cerberus PRO FS720 fire detection systems
- Very robust housing design made from fiberglass-reinforced thermoplast
- For surface mounting in humid, wet and dusty environments
- Manual call point FDM223H with indirect activation: type 'B' according to EN 54-11
- Manual call point FDM224H with direct activation: type 'A' according to EN 54-11
- Two-wire installation for all cable types
- Communication via FDnet/C-NET (addressed individually)

Features

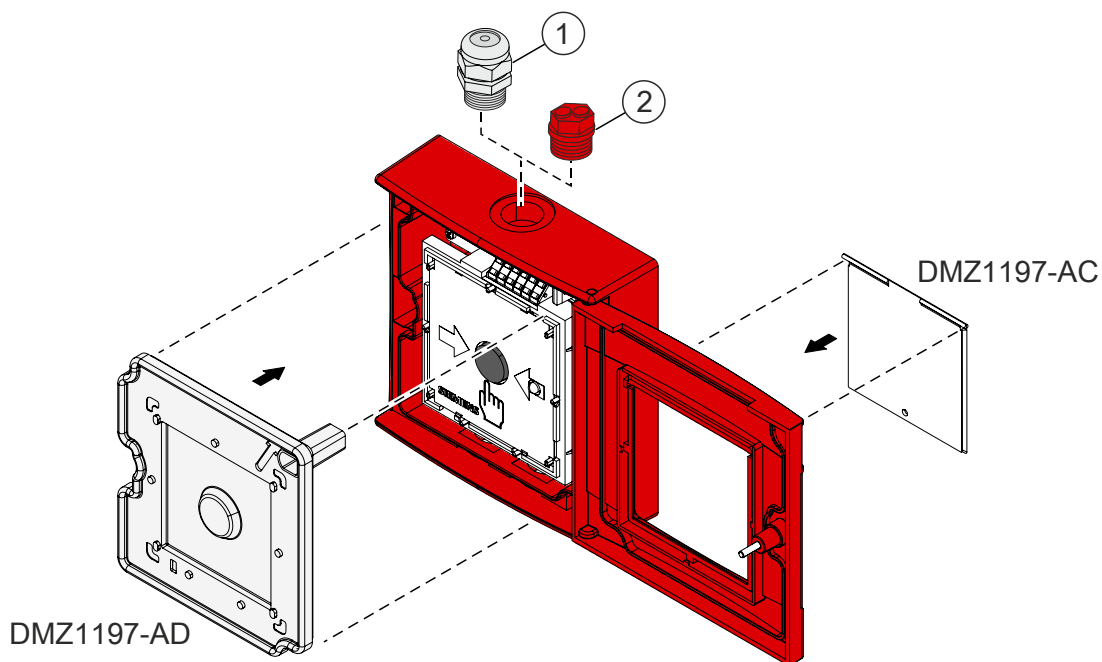
- Integrated line separator: The defective part on the detector line is located by the fire control panel and isolated between two FDnet/C-NET devices.
- Built-in alarm indicator (LED)
- Protected electronics
- Two-color LED for alarm and test

Eco-friendly

- Environmentally friendly processing
- Reusable materials
- Electronic parts and synthetic materials can be easily separated

Manual call point FDM223H

- Indirect alarm activation by pushing in the glass insert and pressing the alarm button
- Open the door of the detector with the key to replace the glass insert. Reset the alarm button before closing the door.
- Protective cover DMZ1197-AC (accessories) protects the manual call point against the glass being broken accidentally.
- Seal DMZ1197-AD (accessories) protects the manual call point in wet areas



Legend for manual call point FDM223H:

- 1 Metal cable gland (accessories) 2 Cable gripper

Manual call point FDM224H

- Direct alarm activation by pushing in the glass insert
- Open the door of the detector with the key to replace the glass insert. The alarm button is reset when the door is closed.
- Protective cover DMZ1197-AC (accessories) protects the manual call point against the glass being broken accidentally.
- Seal DMZ1197-AC (accessories) protects the manual call point in wet areas

Fields of application FDM223H and FDM224H

- For the immediate manual activation of a fire alarm
- For indoor and outdoor application, also suitable for humid, wet, and dusty environments
- For surface-mounted cable entry in easily accessible locations only

Type Overview

Manual call point FDM223H

Type	Designation	Order number	Weight [kg]
FDMH292-R	Red housing with glass, key, 3 cable grippers (2-hole), 2 standard signs with building and fire brigade/fire detector	A5Q00005525	0,302
FDME223	Switching unit for FDM223H	A5Q00003087	0,071

Manual call point FDM224H

Type	Designation	Order number	Weight [kg]
FDMH292-R	Red housing with glass, key, 3 cable grippers (2-hole), 2 standard signs with building and fire brigade/fire detector	A5Q00005525	0,302
FDME224	Switching unit for FDM224H	A5Q00009392	0.061

Accessories for the manual call points FDM223H and FDM224H

Type	Designation	Order number	Weight [kg]
DMZ1197-AC	Protective cover	BPZ:5223550001	0,012
DMZ1197-AD	Sealing for wet areas	BPZ:5470680001	0,022

Spare parts for the manual call points FDM223H and FDM224H

Type	Designation	Order number	Weight [kg]
DMZ1196-AC	Glass insert	BPZ:4942050001	0.011
-	Cable gripper red, M20 x 1.5 (1-hole)	A5Q00006735	0.007
-	Standard signs with building and fire brigade/fire detector	BPZ:5304150001	0.007

Product documentation

Document ID	Name
008164	Equipment overview Sinteso™ Detector system FD20
A6V10225323	Equipment overview Cerberus™ PRO Detector system FD720
008331	List of compatibility (for 'Sinteso™' product line)
A6V10229261	List of compatibility (for 'Cerberus™ PRO' product line)
007002	Technical manual Manual call points FDM223, FDM224, FDM223H, FDM224H
008615	Installation Housing for manual call point 'Heavy Duty' FDMH292-R

Related documents such as environmental declarations, CE declarations, etc., can be downloaded at the following Internet address:

<http://siemens.com/bt/download>

Notes

Mounting

Mounting options

- Use the opening at the top or the two openings at the bottom for cable gripper M20 (included) or cable glands M20 (accessories).
- Open cable entries must be closed for IP64 applications.

Disposal





The device is considered an electronics device for disposal in terms of European Directive 2012/19/EU and may not be disposed of as domestic garbage.

- Dispose of the device through channels provided for this purpose.
- Comply with all local and currently applicable laws and regulations.

Technical data

	FDM223H / FDM224H	
Operating voltage	DC 12...33 V	
Operating current (quiescent)	200 µA	
Ext. Alarm indicator (AI)	2	
Operating temperature	-25...+70 °C	
Storage temperature	-30...+75 °C	
Air humidity (no moisture condensation)	≤95 % rel.	
Communication protocol	FDnet/C-NET	
Cable cross section	0.28...1.5 mm ²	
Color	~RAL 3000 flame red	
Protection category (IEC 60529)	IP44	
• With seal DMZ1197-AD	IP64	
Standards	EN 54-11, EN 54-17	
Approvals	FDM223H:	FDM224H:
• VdS	G205014	G206124
• LPCB	531k/09	531k/11
• DNV GL (Marine)	-	45 247 - 16 HH
System compatibility	FS20, AlgoRex, SIGMASYS	
• FDnet	FS720	
• C-NET		

08  0786	FDM223H	Siemens Switzerland Ltd; Gubelstrasse 22 CH-6301 Zug Technical data: see doc. 007002
FDM223H - Manual callpoint incl. short-circuit isolator for use in fire detection and fire alarm systems installed in buildings.		
305/2011/EU (CPR): EN 54-11 / EN 54-17 ; 2014/30/EU (EMC): EN 50130-4 / EN 61000-6-3 ; 2011/65/EU (RoHS): EN 50581		
The declared performance and conformity can be seen in the Declaration of Performance (DoP) and the EU Declaration of Conformity (DoC), which is obtainable via the Customer Support Center: Tel. +49 89 9221-8000 or http://siemens.com/bt/download		
DoP No.: 0786-CPR-20444; DoC No.: CED-FDM223H		

07  0786	FDM224H	Siemens Switzerland Ltd; Gubelstrasse 22 CH-6301 Zug Technical data: see doc. 007002
FDM224H - Manual callpoint incl. short-circuit isolator for use in fire detection and fire alarm systems installed in buildings.		
305/2011/EU (CPR): EN 54-11 / EN 54-17 ; 2014/30/EU (EMC): EN 50130-4 / EN 61000-6-3 ; 2011/65/EU (RoHS): EN 50581		
The declared performance and conformity can be seen in the Declaration of Performance (DoP) and the EU Declaration of Conformity (DoC), which is obtainable via the Customer Support Center: Tel. +49 89 9221-8000 or http://siemens.com/bt/download		
DoP No.: 0786-CPR-20370; DoC No.: CED-FDM224H		

Manual call point FDM223H/FDM224H

