

WW8000

## Composer MP3.20

The common tool environment

---

- The WW8000 Composer is a flexible tool environment devoted to the configuration of a Fire & security system.
- It provides both the general user interface and common functionality needed to configure a security system, and the general configuration environment that hosts the Plug-ins.
- Depending on the number and kind of Plug-ins, this environment is able to configure a single control unit up to a large security system that includes multiple control units of different disciplines (including management stations).
- The end user (commissioning personnel and project engineer) perceives a single application for the configuration activities, while actually it is made up of different pieces of software (Composer and the Plug-ins).

## Features

### The integration

An integrated system-wide configuration tool:

- Object oriented technologies now provide more openness and flexibility;
- The customer perceives the integrated security system as a unified interface;
- Different user groups, with different needs, can work with the same tools;
- The configuration tools can be used in a more integrated environment, e.g. together with AutoCAD maps.

### The environment

Improvements in the project realisation process:

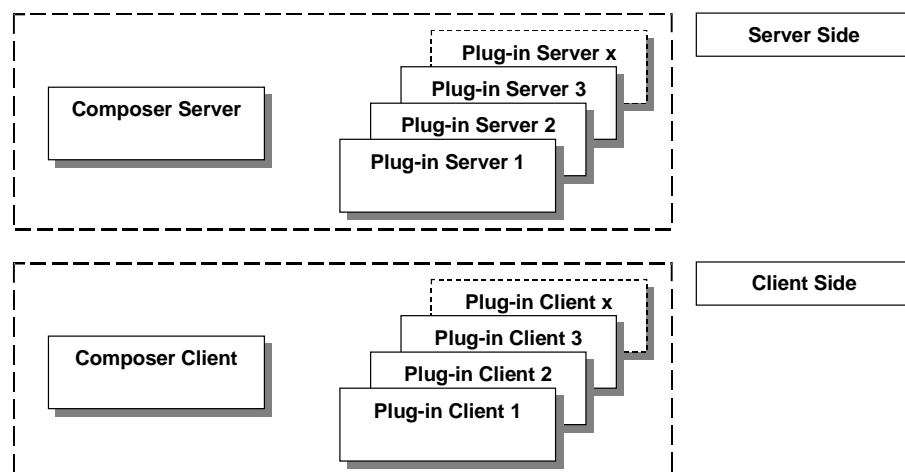
- Time used for configuration reduced with more efficient tools;
- Repetitive work minimised;
- Maximal reuse of previous work;
- Engineering environment optimised.

## System architecture

### Client / Server application

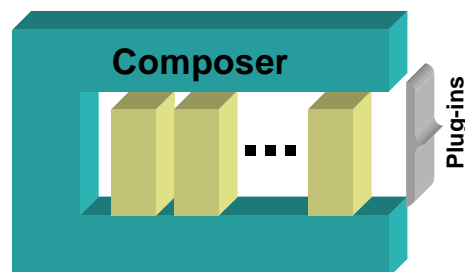
Composer uses a client/server application.

- Both the client and the server parts are made up of many components.



### Plug-in components

The Composer provides service to the Plug-in components:



- Different kinds of Plug-ins are used. For example:
  - Subsystem configuration (such as a control unit)
  - Management station configuration
  - Importing existing Subsystem data

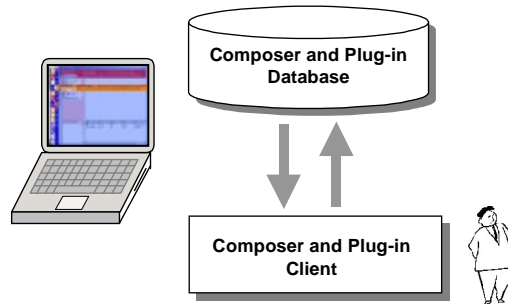
## Configuration

- Powerful functions and methods in the user interface
- Possibility to reuse the work: define templates according to local needs

## Modes of operation

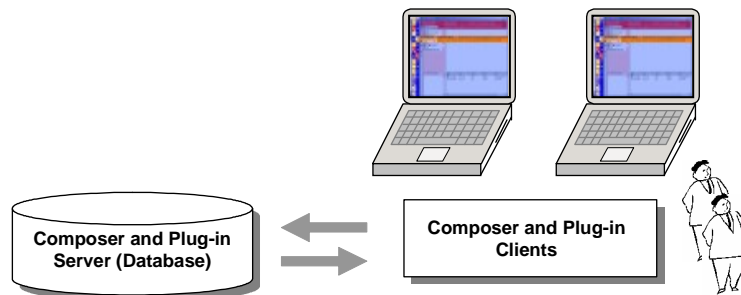
In this version of Composer, the following configuration modes are supported:

### Stand-alone configuration



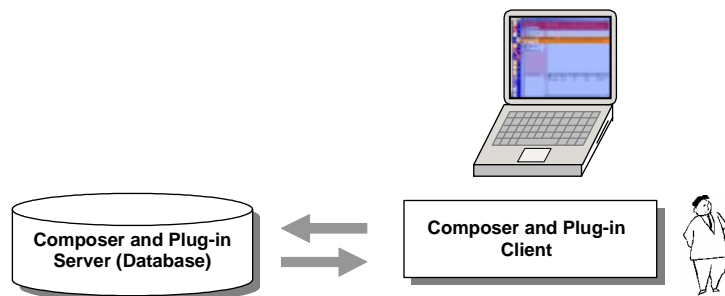
- One user at time works with Composer - typically an engineer who works in the field.
- The system can be configured on a laptop computer using Composer. Afterward the configuration can be downloaded into the control panels or management stations.

### Multi-user configuration



- This functionality enables faster configuration of large projects as more than one configuration personnel can simultaneously work on the same project.

### Remote configuration



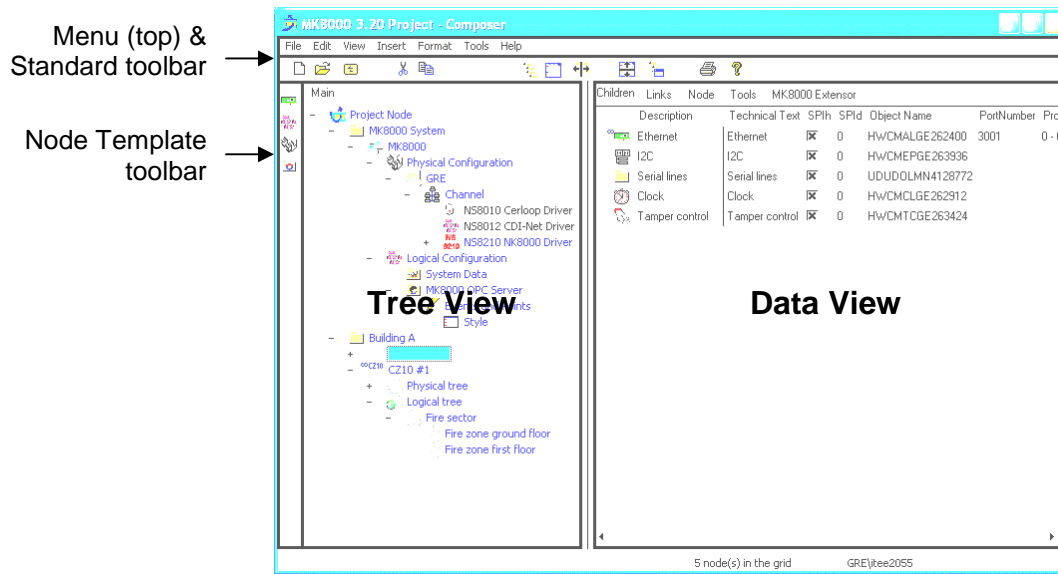
- The client can connect remotely to the server. This allows for configuration when the server is not physically present.

## User interface

The user works with a project, which contains all the configuration data of a site.

Similar and common user interface (100% MS-Windows compatible) allows:

- Easy orientation for users
- Tree navigation similar to MS-Explorer
- Ability to sort text and properties
- Data View and editing free configurable for various user groups
- Node tab with the properties of a single node
- Filters for different disciplines (both basic and advanced functionality)
- Zoom to show only needed details



The screen display is divided into the Menu, Standard toolbar, Node Template toolbar, and Work area (Tree and Data Views).

### Menu

The Menu area, which contains the principal menus, allows for the management of the project as a whole.

### Toolbar areas

The Toolbar areas include the following dockable bars:

- The Standard toolbar, which provides the typical menu commands (New, Open, Cut, Copy, Paste, Print preview and Print);
- The Node Template toolbar, which contains a context sensitive bar that allows the insertion of nodes in the project structure, depending on the node currently selected.

### Work area

The Work area, which shows the project, is divided into two panes:

- The Tree View shows the structure of the project. It is possible to build zoomed and/or filtered views of the project structure that are shown as new tabs of the Tree view;
- The Data View on the right shows information about the node selected in the tree. If a selected node has child nodes, the properties of the child nodes are displayed in the Edit Grid of the Children tab. If links are present, the Links tab also displays an Edit Grid.

### Other functions

Right click context menus are available in the Tree view and in the Data View to perform a number of operations.

## The Project

### Nodes

Projects are made up of nodes that are presented to the user by using the three different user interface controls.

- The Tree View, which shows the hierarchical structure of the project;
- The Data View, which shows the properties of the child nodes of the selected node;
- The Node View, which shows the properties of a single node.

All the nodes that belong to the same installation of a security system (i.e., the site) are stored in a project.

### Link nodes

You can create a link node by dragging and dropping a node inserted somewhere else in the tree, avoiding all the negative effects of data duplication.

### Node templates

Thanks to the Template, it is possible to provide nodes that are ready to be inserted in the project with proper values for all the properties.

Depending on the DMS8000 product, a Template can contain nodes and other templates organised in a tree structure, increasing dramatically the power of this mechanism in building up the configuration of the site.

In addition to the existing Templates, the user can create new Templates at configuration time.

## Printing standard reports

Composer offers three different kinds of standard reports you can print:

- Project Structure Report, that simply outlines the Project tree;
- Brief report, that shows the project tree with the properties contained in the first sheet of the Data View (or Edit Grid);
- The complete report which contains all detailed information.

It is also possible to print a specified selection of nodes in the tree, or to print a filtered or zoomed view of the tree.

## Data view and editing

- Different Data Views that are configurable for various user groups
- Edit Grid functionality allows for fast and easy configuration (similar to an Excel spreadsheet)

## Installation

### Composer

Composer is typically installed along with the DMS8000 products. The procedure is very simple, click the SETUP.exe file on the delivered CD and then follow the instructions given on the screen.

### Plug-ins

The initial product setup also provides for the installation of the required Plug-ins. Later, the user can run the Plug-in installer, available from the start menu, to install Plug-in updates.

## Min. PC configuration

Pentium IV (or equivalent) PC hardware, Windows 2000/XP Professional compatible, at least 512 MB RAM

## Ordering

There are two product licenses designed for different user groups:

- WW8010 Composer embedded which can be ordered only as an option with DMS8000 products and has an unlimited license.
- WW8022/All Composer 'all inclusive', which can be ordered for DU's engineers and is based on an annual license fee.

WW8010 can only be ordered in conjunction with either MM8000 or MK8000. Only an activation number (called a PAK) will be delivered to the customer. The hardware key from the management software (i.e. MK8000, MM8000) has to be attached to the PC and then WW8010 Composer embedded can be activated with its PAK. The software runs once the key is activated.

When you license the WW8022/All Composer 'all inclusive', you receive a USB service key that can be attached to any PC with a Composer installation. Composer will run without a PAK as long as the service key is attached.



---

**Note 1:** The management software and drivers (i.e. MK8000, MM8000) still require a key and PAK to run.

**Note 2:** Demo mode is provided for a limited period of time. For details, see the product-specific Installation, Configuration and Commissioning guide.

---



Siemens Switzerland Ltd  
Building Technologies Group  
International Headquarters  
Fire Safety & Security Products  
Gubelstrasse 22  
CH-6301 Zug  
Tel +41 41 724 24 24  
Fax +41 41 724 35 22  
[www.sbt.siemens.com](http://www.sbt.siemens.com)

© 2006 Copyright by  
Siemens Building Technologies AG  
Data and design subject to change without notice.  
Supply subject to availability.