



Product Datasheet

MT8001 MP3.15 Management Terminal

DMS

- Centralisation and management of safety and security control systems
- Specialised interface designed for rapid and accurate handling of events in emergency situations
- Highly reliable wall mountable unit
- User-friendly, intuitive, touch-screen interface
- Ergonomically designed
- Quick and easy to set up
- Windows CE operating system
- Bright 10.4" TFT colour display
- Compliant with local quality assurance standards

System Overview

The MT8001 Management Terminal was designed to provide an easy-to-use point of access to part of a security network or to an entire network. Whether the security network is limited to a single floor, or an entire building, the MT8001 allows you to monitor and control any area or device within the system from one place. The MT8001 provides management station functionality in a wall or desk-mountable cabinet.

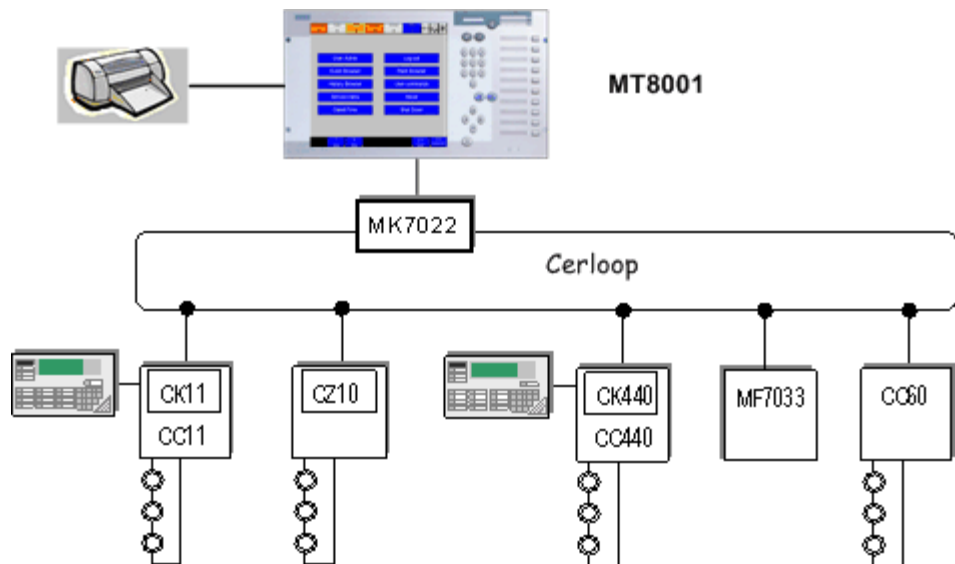
The system structure is based on up-to-date market standards in the areas of hardware and software technology. Terminal access is controlled by passwords based on a user-profile mechanism.

Connectivity

The MT8001 Management Terminal supports the Cerloop network type. The MT8001 also supports an NK8223 to allow common support for subsystems handling various disciplines. It may be used either as a stand-alone system, or as part of a larger decentralised network configuration.

The following subsystems are supported on the Cerloop network:

- CS11 AlgoRex (EP5 and EP7F), and CZ10 fire detection systems
- CS440 Intrusion detection systems
- CC60 Gas detection systems
- MF7033/MM7033 Mux/Demux systems
- STT11 (Système de Télécommande et Télésignalisation)

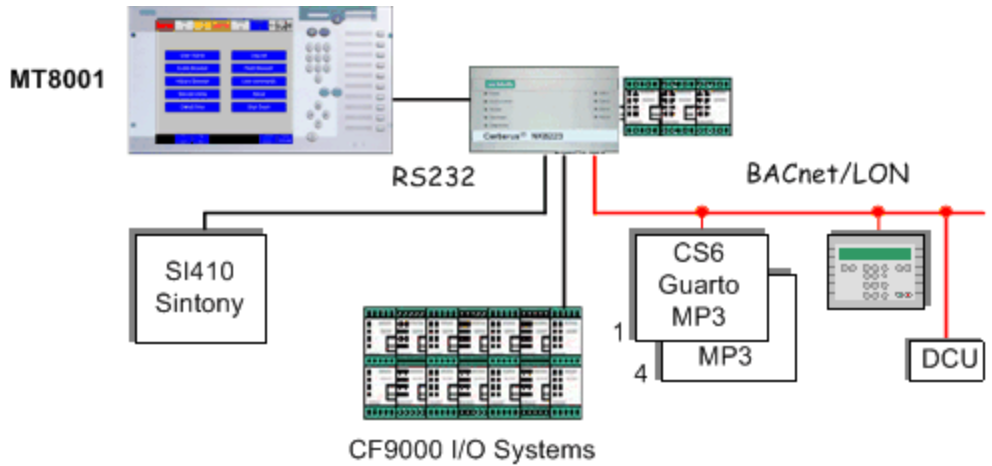


Cerloop connectivity

Note: Up to four data acquisition devices (MT8001, MM8000, MF7033, etc.) can be connected to the Cerloop.

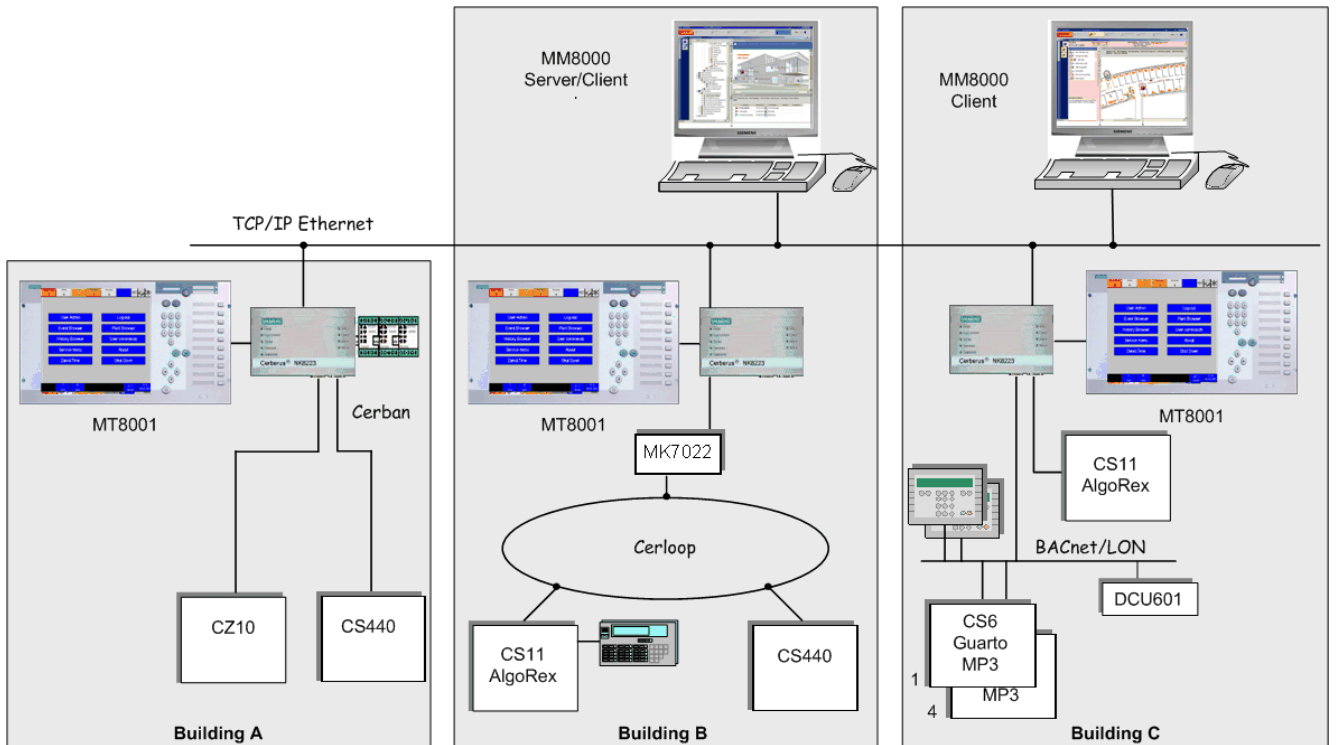
The following subsystems are supported via an NK8223:

- CS11 AlgoRex (EP5 and EP7F), FC700A, and CZ10 fire detection systems
- CS6 Guarto (MP3) intrusion detection systems
- CS440 and SI410 Sintony intrusion detection systems
- CC60 Gas detection systems
- MF7033/MM7033 Mux/Demux systems
- STT11 (Système de Télécommande et Télésignalisation)
- CF9000 Input/Output systems



Multi-discipline connectivity via an NK8223 as a stand-alone system

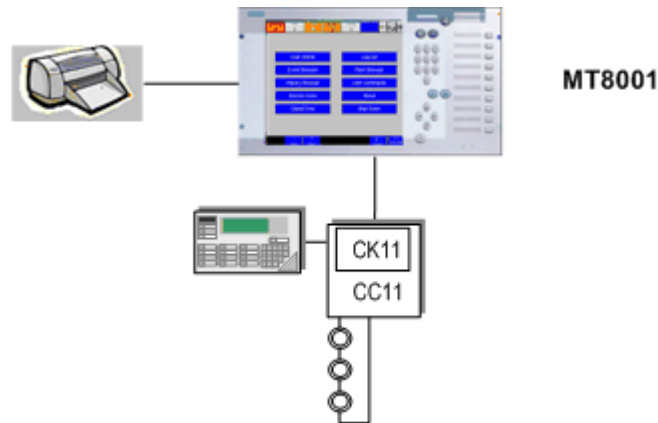
Note: Up to four CS6 Guarto panels are supported



Decentralised connectivity in network configurations

Note: An AlgoRex C-Bus cluster may also be directly connected to the MT8001 via the ISO1745 interface protocol.

The following configuration is currently awaiting approval for fire detection applications by the VdS-Approval Authority (based on the European Standard EN54-2).
→ See footnote page 5.



AlgoRex CC11 via ISO1745 interface protocol.

Specialised Operator Interface

The MT8001 was designed specifically for safety and security applications and uses a simple and intuitive touch screen interface. The main menu provides access to the following utilities:

- Event browser
- Plant browser
- History browser
- Macro commands

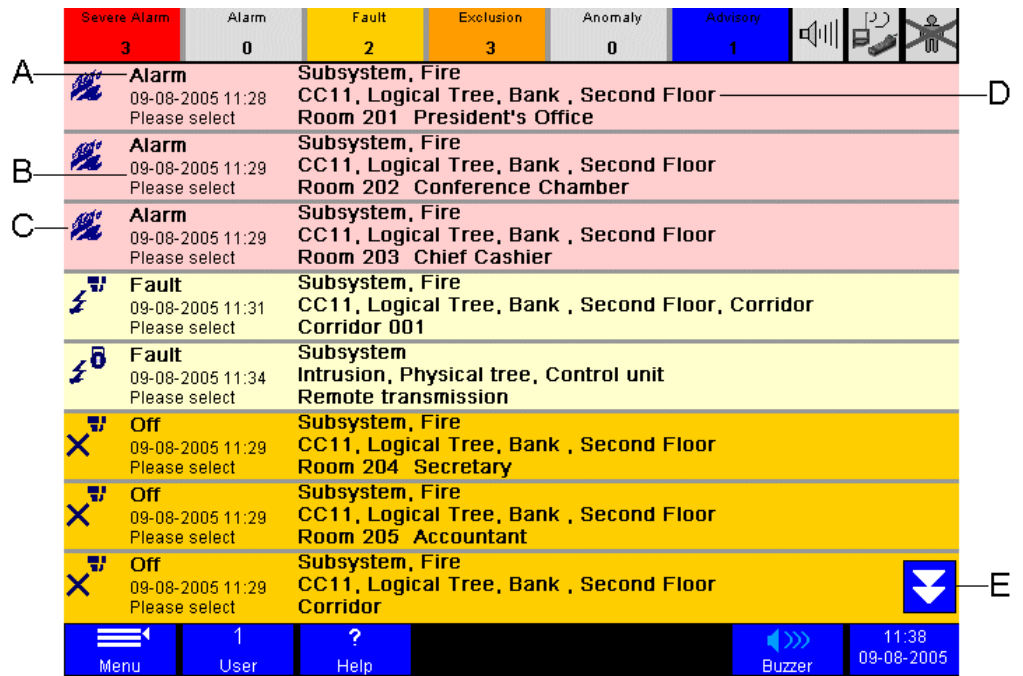
Event browser

The main screen of the event browser contains a list of the events that have occurred and are still open. Events are listed in order of severity from top to bottom and are colour coded by type.

Note: For MT8001 Management Terminals configured for EN54, the Event list order and icons differ somewhat from the default GUI.

New! Dynamic graphic support!

MT8001 can be configured so that when an operator selects an event from the Event list, he can then display a floor plan indicating the location of the event. For example, if the event is a fire alarm, a flashing red symbol representing the corresponding smoke detector is displayed in the relevant room.



Event browser (standard GUI pictured)

- A Event description - indicates the state of the detector or data point.
- B Event date & time - shows the date and time when the event occurred
Action to do - specifies the action you need to perform
Note: The action you need to do is only indicated before selecting the event for treatment, and flashes on and off until the event is selected.
- C Event icon - shows the nature of the event (in this case it is fire-related).
- D Event location - indicates the location of the detector or device that triggered the event.
- E Scroll button - scrolls down to view other events on the list.
Note: This button is only visible if there are more events than can be seen on one screen.

Plant browser

This utility provides a hierarchical tree-view of the installation. It offers an easy-to-use method of selecting individual objects to perform the following types of tasks:

- Turning a zone (or section) off or on (exclude or include)
- Putting a zone (or section) into 'test' mode

History browser

The history browser provides access to the record of each event that has occurred, including details such as what treatment procedures were followed, when, and by whom.

Macro commands

Macro commands can be defined to rationalise frequently performed, complex, or time-consuming operations. These commands are customised for each operator and are linked to the user-profile.

Approvals

The MT8001 is designed to comply with the EN54-2 Norm as an operating terminal for AlgoRex CS1140 subsystems¹.

¹ Approval is expected by 2nd quarter 2006.

Technical data

Operating System	Windows CE.Net		
Hardware Data	Display	10.4" TFT-Colour-display (640x480 pixels)	
	Touch screen	Impact strength compliant with EN54-2	
	Processor	ETX-mgx, 200 MHz	
	RAM	128 MB DRAM (expandable to 256MB)	
	Compact Flash Card	64 MB (expandable)	
	V24 (RS-232) Serial interface	4 (see communication lines for details)	
	TTY Serial interface	2	
Power Supply	Input Voltage	24 VDC	18.5 V ... 31.0 V
	Power	Max 15W	
Communication Lines	1 x RS232	COM1	Service access (configuration download)
	2 x RS232	COM3/COM4	Subsystem (or printer) connection
	2 x TTY	COM5/COM6	
Supported Subsystems	CS11 (EP5) CS11 (EP7)	Via direct serial connection (ISO1745), Cerloop or NK8223	
	FC700A	Via direct serial connection (ISO1745), or NK8223	
	CZ10, CS440, CC60	Via Cerloop or NK8223	
	MF7033/MM7033, STT11	Via Cerloop	
	SI410 Sintony (max.3), CF9000, CS6 MP3 (max.4)	Via NK8223	
Max. number of supported physical devices	10,000		
Supported Protocols	ISO1745/RS232		
	CMSDL		
Operating Conditions	Temperature range	5° to 40°C	
	Humidity	10 to 95% non-condensing	
Dimensions	Height	200 mm	
	Width	424 mm	
	Depth	64 mm (allow additional 15mm depth for cabling)	
Weight	3,8 Kilograms		

Ordering

Please contact your local supplier.

Siemens Switzerland Ltd
Building Technologies Group
International Headquarters
Fire Safety & Security Products
Gubelstrasse 22
CH-6301 Zug
Tel +41 41 724 24 24
Fax +41 41 724 35 22
www.sbt.siemens.com

© 2006 Copyright by
Siemens Switzerland Ltd
Data and design subject to change without notice.
Supply subject to availability.