



NK8000

Demo Suitcase

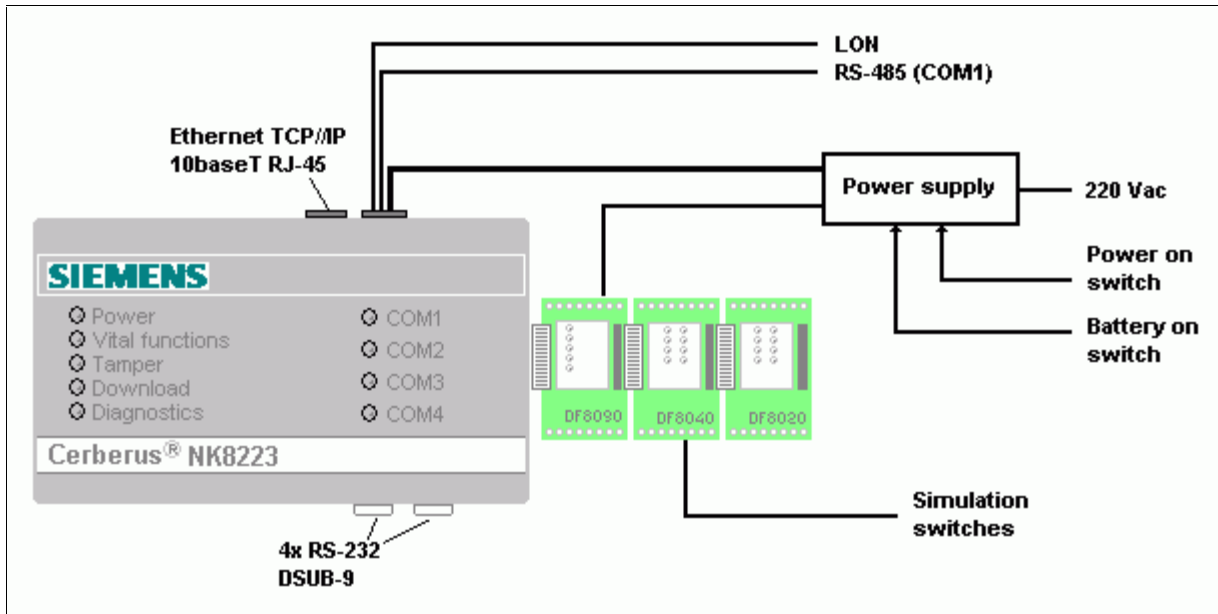
The NK8000 Demo Suitcase is designed to present the NK8000 network solution to prospective customers.

The suitcase contains a basic set of devices, namely one NK8223 Ethernet Port unit, one DF8040 input, one DF8020 output module, and the DF8090 power supervision. It is completely pre-wired and equipped with 220 Vac power supply and simulation switches.

If connected to a DMS8000 management station and to a control unit, the demo suitcase can actually provide a small but complete network solution for demonstrations and test sessions.

-
- **NK8000 (formerly CDI-WAN) is the family of network devices designed for the connectivity of safety / security units over LAN/WAN via Ethernet TCP/IP.**
 - **NK8000 networks are compatible with MM8000 Management Station and MK8000 OPC Server. The compatibility with MT8000 management terminals is also planned.**
 - **The demo suitcase includes one NK8223, the Ethernet Port that allows the connection of SBT safety and security control units as well as 3rd party systems.**
 - **The NK8223 - together with DF8000 modules for input, output, and power supervision – is installed in the suitcase and pre-wired for an immediate use.**

Configuration



The NK8000 demo suitcase includes:

- One NK8223 unit, fully equipped with 4 serial lines and CerCom/LON (NK8223.CL4)
- One DF8040 input module (8x digital inputs, four of them connected to simulation switches)
- One DF8020 output module (8x relay outputs)
- One DF8090 power supervision module
- Power supply unit.

External connections:

- Screw terminators for CerCom/LON line (CS6 Guarto)
- Screw terminators for RS485 line (COM1)
- 4x DSUB-9 (f) for RS-232 ports (on the NK8223 box)
- RJ-45 for TCP/IP Ethernet 10baseT (on the NK8223 box)



Technical data

Power supply requirements	– Input Vac – Power	200-240 Vac 6 W
Operating conditions	– Temperature range – Humidity	0 to 50 °C 10 to 95 % non condensing
Dimensions	– NK8000 demo suitcase	W x H x D [mm] 470 x 160 x 350
Weight	– NK8000 demo suitcase	6.9 kg
NK8223 See also NK8223 documentation	4 RS232 lines for: - Upstream connectivity to DMS - Downstream connectivity to subsystems 1 CerCom/LON for subsystems 1 Ethernet TCP/IP port for: - Upstream connectivity to DMS - Upstream connectivity to tool station	COM1 – 4: 300 to 9600 baud, D-Sub 9 female LON: 78Kbit/sec, TP screw terminators LAN port: 10baseT, RJ-45
Digital Input See also CF9000 documentation	DF8040 8×Input Module	Optical coupler inputs. NO or NC dry contacts or open collector. Max 30 Vdc; 6,5 mA.
Digital Output See also CF9000 documentation	DF8020 8×Output Module	Relay outputs. NO or NC; max 1A at 30 Vdc.
Power Supply Supervision Module	DF8090 Power Supply Supervision Module – Battery protection fuse – Battery 12V, max 24 Ah	Supervision of power supply and battery backup Battery fuse is internal to DF8090 plastic box Micro-fuse type: MSF 3.15A/250V
Cables	– RS232 lines: unshielded twisted pairs – CerCom/LON line: one unshielded twisted pair – Ethernet	Cat.3 UTP, max. 15 m Cat.4 UTP, 22AWG Max 500 m (free topology) Max 1400 m (doubly terminated bus topology) Cat.5 UTP, max. 100 m

Parameterisation

The units included in the NK8000 demo suitcases can be parameterised with the standard NK8000 tools based on Composer and included in the MM8000 Management Station or MK8000 OPC Server product CD. The WW8000 license is required.



Related Products

<i>Product name</i>	<i>Doc. no</i>	<i>Description</i>
NK8223	007777	Ethernet Port
NK8222	007780	Ethernet Port for one subsystem
NE8000	006913	Housing
MM8000	006882	Management Station
MK8000	004968	OPC Server
WW8000	003331	Composer
CF9000 I/O System	1761	Input/Output Multiplexing System, including CF9003, DF8020, DF8040, DF8045, DF8046

NK8000 Sales and Technical documentation

<i>Type</i>	<i>Doc. no</i>	<i>Designation</i>
Application & Planning (Sales)	008084	DMS8000 Application and Planning Guide
Installation, Configuration & Commissioning (Technical)	007798	NK8000 Installation, Configuration & Commissioning Guide
Connectivity Configuration (Technical)	007083	DMS8000 Connectivity Configuration

Details for ordering

<i>Ordering code</i>	<i>Siemens P/N</i>	<i>Designation</i>
NK8223/DSC	A6E600131	NK8000 Demo Suitcase

Siemens Switzerland Ltd
Building Technologies Group
International Headquarters
Fire Safety & Security Products
Gubelstrasse 22
CH-6301 Zug
Tel +41 41 724 24 24
Fax +41 41 724 35 22
www.sbt.siemens.com

© 2005 Copyright by
Siemens Building Technologies AG
Data and design subject to change without notice.
Supply subject to availability.