



FT700A

Synova™

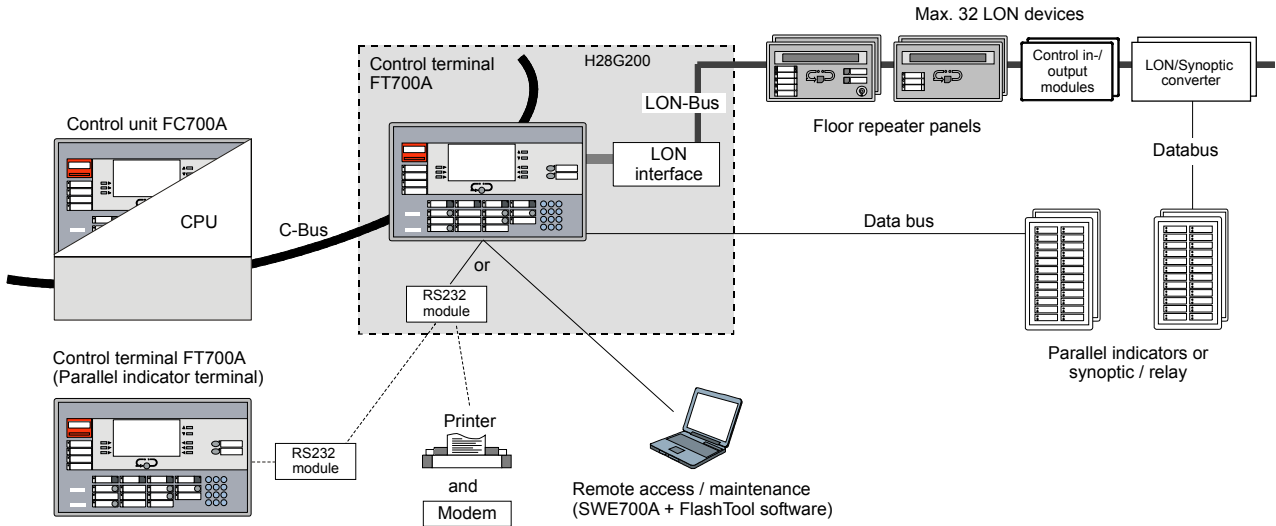
Comfort operating terminal



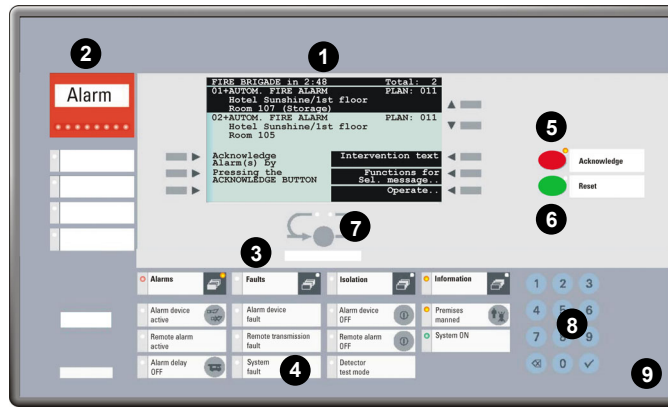
For fire detection system FC700A

- Fully functional system control and indication
- Friendly user terminal with soft key guided system operation
- Functionally grouped, ergonomic operation and indication
- Large LC display:
 - Backlit 240 x 128 pixel display
 - Plain text display with three lines for information messages per alarm event
 - Programmable intervention texts
 - Simultaneous indication of several events
- Up to 9 different user access levels
- Operating access via password or key switch for complete system operation
- Up to 15 operating terminals can be connected to one fire detection system
- Integrated emergency function / emergency operation
- Additional LED indicators, synoptic panel, floor repeater panel options

System overview

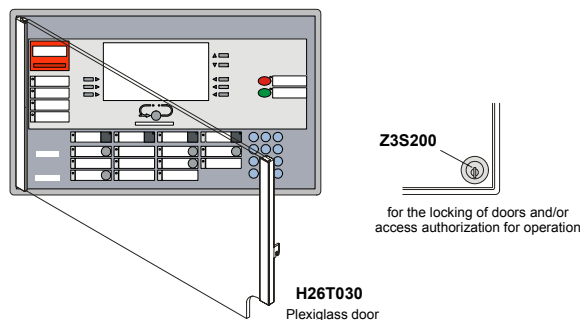


Operation

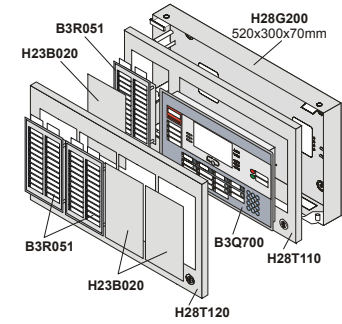


- 1 Large plain text display (LC display, 240x128 pixels) with background illumination and detailed plain text information on all occurring events:
 - Event type, event location, measures texts, operating states etc.
 - Directly indicated operator guidance texts in alarm situations.
 - Context and system state dependent, comfortable operation with soft keys.
 - Access to other system functions via function menus definable via user profile.
- 2 Alarm indicator field: In case of alarm, the red writing "ALARM" lights up.
- 3 Indicator fields, partly with command keys
 - 4 ergonomically classified message categories: alarm, fault, isolation, and information.
 - The main keys are equipped with light emitting diodes, for a concise, guided operation.
- 4 Insertable inscription strips in various languages
- 5 Key "Acknowledge message"
- 6 Key "Reset message"
- 7 Key for switching forward alarm messages
- 8 Function keypad for numeric inputs (password, direct selection of locations etc.)
- 9 Optional key switch to enable operation

Options

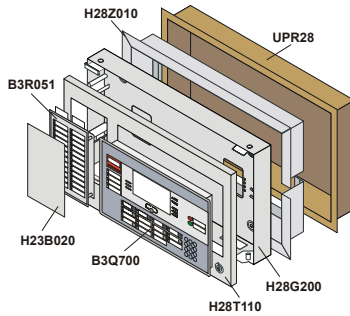


Mounting possibilities – Order details

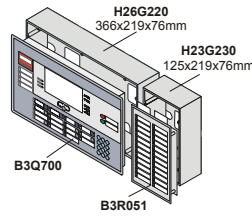


Control terminal **B3Q700** mounting in metal housing **H28G200** with door **H28T110** for parallel indicator panel **B3R051** or cover plate **H23B020**

Parallel indicator panel **B3R051** mounting in metal housing **H28G200** with door **H28T120**



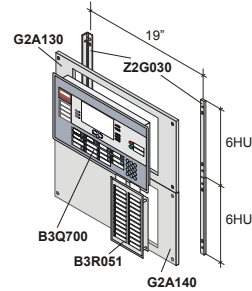
Recess mounting of control terminal **B3Q700** and parallel indicator panel **B3R051** or cover plate **H23B020** in metal housing **H28G200** with door **H28T110** with recess box **UPR28** and recess frame **H28Z010**



Control terminal **B3Q700** mounting in plastic housing **H26G220**

Parallel indicator panel **B3R051** mounting in plastic housing **H23G230** (surface and recess)

Note:
H26G220 housing does not accept E3I020 or E3I040 modules

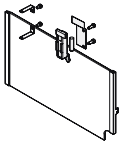


Control terminal **B3Q700** mounting in 19" housing with adapter plate **G2A130**

Parallel indicator panel **B3R051** mounting in 19" housing adapter plate **G2A140**

Hinge **Z2G030** for mounting a 19" front panel so that it can be pivoted.

Accessories



H26T030

Plexiglass door, Control terminals, which are particularly exposed, can be fitted with a lockable Plexiglass door to prevent tampering.



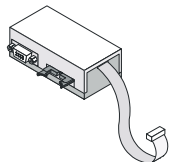
Z3S200

Key switch module, For user access instead of using a password, or as a lock for the Plexiglass door.



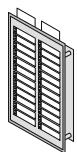
Z3I530

Adapter flat cable -> terminals, For remote parallel indicator panel or synoptic p.c.b.



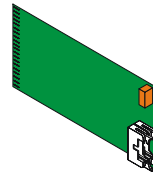
B3D021

Dual RS232 ITF box, Interface between control terminal and maintenance PC.



B3R051

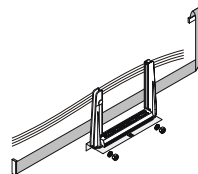
Parallel indicator panel, Option to control terminal FC/FT with 24 display fields each with a red and yellow LED.



E3I040

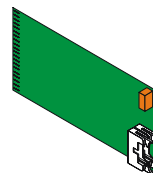
LON interface, Converter between I-Bus and LON-Bus. Up to 32 LON-Bus devices connectable. Monitored two-wire bus without loop function.

Note:
Incorporation of LON interface E3I040 prohibits the addition of B3R051 Parallel indicator panel on the H28T110 door.



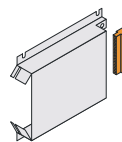
Z1B070

Mounting accessory, To secure the LON interface E3I040 in H28G200 housing.



E3I020

RS232 module, Level converter with electrical isolation and EMI protection. 2 serial interfaces RS232 e.g. for printer.



Z1B020

Mounting accessory, To secure the RS232 module E3I020 to the rear of the control terminal.

Technical data

Control terminal	Operating voltage	18... 45 VDC
	Current consumption at 24 V	
	- Quiescent current (without LCD backlight)	100 mA
	- Max. (with LCD backlight and lamp test)	420 mA
	Operating temperature	0... +50 °C
	Storage temperature	-20... +60 °C
	Humidity (no condensation)	
	- at T = 25 ±3 °C	≥95 % rel.
	- at T = 40 ±2 °C	93 % rel.
	Color housing	
	H26G220	grey, Pantone 421
	H28G200	light grey, RAL 7035
	Protection category (IEC 60529)	
	H26G220	IP40
	H28G200	IP30
	Approval	
	- VdS	G204001

Details for ordering

	Type	Part no	Designation	Weight
Control terminal	B3Q700	A5Q00004719	Control terminal for FT700A	1.710 kg
Accessories	H23G230	475091	Plastic housing	0.197kg
	H26G220	462800	Plastic housing base for FT700A	0.435kg
	H28G200	409944	Metal housing base for FT700A	2.583kg
	H28T110	474982	Door for FT700A and B3R051	1.141kg
	H28T120	474995	Door for 4x B3R051 or H23B020	1.612kg
	UPR28	430434	Recess box for 1 H28G200	1.831kg
	Z3I481	491185	Cable set for FT700A in H28 housing	0.259kg
	H23B020	476278	Cover plate for H28 doors	0.336kg
	H28Z010	410593	Recess frame for H28 housing	2.030kg
	Z3S200	570349	Key module to FT700A	0.110kg
	H26T030	570530	Plexiglas door to FT700A	0.350 kg
	FCA725	A5Q00004833	Inscription set Spanish	
	FCA775	A5Q00004834	Inscription set Italian	
	FCA785	A5Q00004835	Inscription set Polish	
	FCA765	A5Q00012621	Inscription set Dutch	
	FCA835	A5Q00012730	Inscription set Czech	
	E3I020	460239	RS232 module	0.100kg
	Z1B020	475907	Mounting accessory for E3I020	0.117kg
	E3I040	499310	LON interface	0.178kg
	Z1B070	A5Q00001720	Mounting accessory for E3I040	0.170 kg
	B3R051	490513	Parallel indicator panel	0.448kg
	Z3I530	484972	Adapter for B3R051 or Synoptic	0.058kg
	B3D021	505259	Dual RS232 ITF Box	0.183kg
	Z2G030	378198	Hinge 19"/6HU	0.449kg
	G2A130	475088	Adapter plate 19"/6HU for B3Q700	0.460kg
	G2A140	484228	Adapter plate 19"/6HU for B3R051	0.860kg

Siemens Switzerland Ltd
Building Technologies Group
International Headquarters
Fire Safety & Security Products
Gubelstrasse 22
CH-6301 Zug
Tel. +41 41 724 24 24
Fax +41 41 724 35 22
www.sbt.siemens.com

© 2006 Copyright by
Siemens Switzerland Ltd
Data and design subject to change without notice.
Supply subject to availability.