



B2Q191 Logging printer

AlgoRex
Synova™

-
- **Logging printer for the control units CS11xx, FC330A**
 - **Various interfaces available**
 - HCMOS level for connection (inside housing) up to 1 m
 - RS232 / V28 connection up to 1 km
 - TTL level for connection to 3rd party modem
 - **Supports ISO and EPSON character set**
 - **Transmission speed 300 to 19,600 Baud**
 - **Printer, remaining paper and transmission line monitored**
 - **Models for mounting in:**
 - separate flat housing H28G200
 - housing for printer H38G360
 - control unit housing H98G and 19"
 - **Integrated paper take-up reel unit**
 - **Designed for supply voltage of 9 to 36 VDC**

Application

The logging printer is used for the printout of the event log as well as data for servicing purposes.

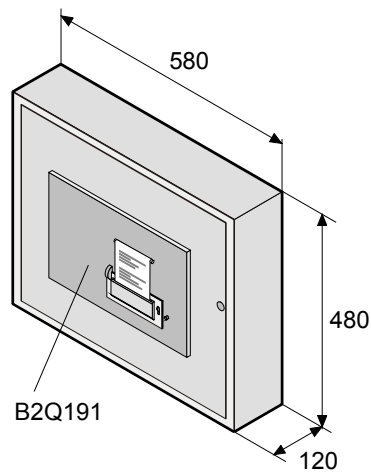
The text for the log printout is contained in the software of the transmission devices – control unit or operating equipment.

The printer is actuated via a serial data interface. With a built-in printer, actuation is direct. If the printer is separately installed, it is actuated via a modem line (RS232). Transmission is monitored.

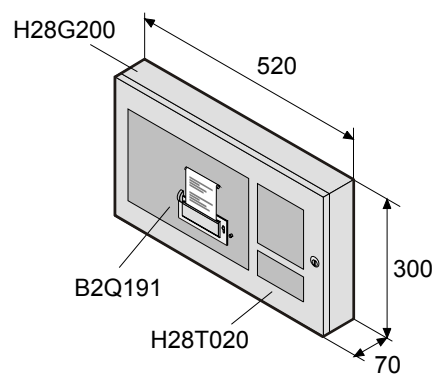
The power supply of the printer is feed by control unit (24 V, with emergency power supply) or autonomous with converter B1F120 (without emergency power supply).

Mounting possibility

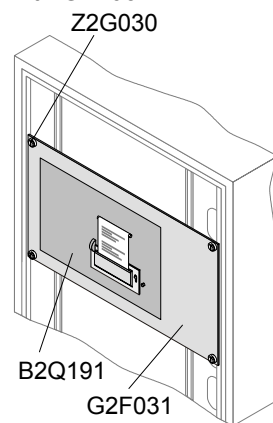
Printer housing H38G360



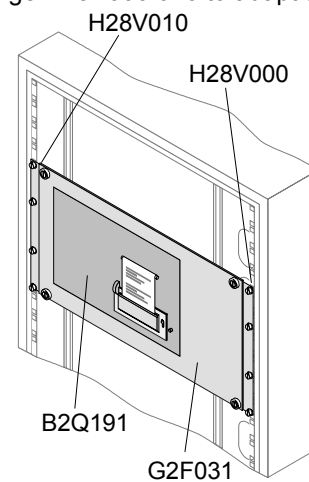
Installation in H28G200 with door H28T020



Installation in 19" free-standing cabinet with G2F031



Installation in H housing with brace or hinge H28V000/010 to adapt to 19"



Technical data

Operating voltage	9... 36 VDC
Current consumption	
– at 9 V	min. 73 mA (quiescent) / max. 2.5 A (print)
– at 24 V	min. 33 mA (quiescent) / max. 1.0 A (print)
– at 36 V	min. 27 mA (quiescent) / max. 0.6 A (print)
Overload protection	Fuse 2 A slow blow
Protection against reversed polarity	yes
Interfaces	
– Ribbon header "A1"	0-modem /signal level TTL, electrically isolated
– Ribbon header "A2"	V28/FSK/PSK modem connection
– Ribbon header (Mini) "A3"	0-modem connection / signal level TTL, electrically isolated
– Terminal block "K3"	V28 modem connection / signal level RS232, electrically isolated
Monitoring	interface, paper end, motor blocked (printer)
Printer	Thermo printer
– characters per line	40
– printing speed	max. 1.5 lines/sec
– service life	approx. 500,000 lines
Paper	Thermo paper
– width of roll	80 mm
– length of roll	40 m (equal to approx. 11,000 lines)
– fabricate	JUJU "TP 50KS-A" HONSHU "PS 65 B1" MITSUBISHI "F 200 U7X"
Character set	EPSON or ISO
– normal font	5 x 7 point matrix
– wide font	10 x 7 point matrix
Environmental specifications	
– operating temperature	0... +40 °C
– storage temperature	–40... +60 °C
– mechanical stress	for use in vibration-free systems (10... 55 Hz, 2g, 20 m/s ²)
– storage temperature for thermo paper	–10 ... +30°C
– relative humidity	max. 95 %, annual mean 75 %

Details for ordering

	Type	Part no	Designation	Weight
Logging printer	B2Q191	4848880001	Logging printer	2.833 kg
	–	379977000	Spare paper rolls (4 pcs.)	0.705 kg
Housing	H38G360	5235900001	Housing for printer	9.300 kg
Flat housing	H28G200	4099440001	Housing base	2.818 kg
	H28T020	4105640001	Cover	2.024 kg
Accessories for recess mount.	UPR28	4304340001	Recess box for H28G200	2.403 kg
	H28Z010	4105930001	Recess frame	2.240 kg
Accessories for own power supply in H28G200	B1F120	4952330001	Converter 230 VAC / 24 VDC, 3 A	0.600 kg
	Z1K040	4906650001	Card holder for mounting B1F120	0.083 kg
Accessories for 19" housing	G2F031	4092900001	Front frame 19" / 6 HE	0.823 kg
	Z2G030	3781980001	Hinge 6 HE	0.445 kg
Accessories for H98G.. housing	G2F031	4092900001	Front frame 19" / 6 HE	0.823 kg
	H28V000	3795820001	Mounting adapter 6 HE	0.332 kg
	H28V010	3795660001	Hinge 6 HE	0.390 kg