

DC1192

Input /Output module

Interactive, AnalogPLUS/SynoLOOP, collective/SynoLINE600

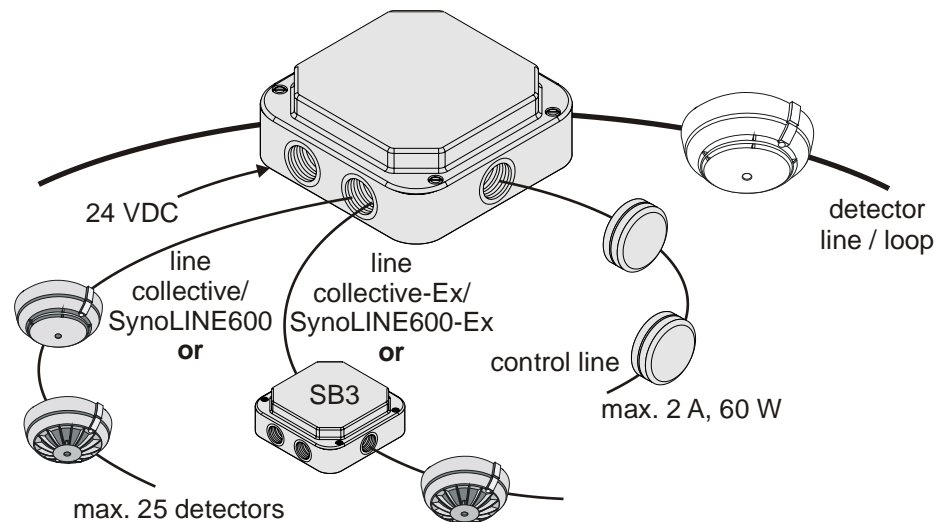
AlgoRex
Synova™



- **In-/output module suitable for**
 - collective fire detection system as detection line coupler
 - interactive and AnalogPLUS/SynoLOOP fire detection system for the connection of up to 25 fire detectors with collective/SynoLINE600 address, or for the connection of monitored alarm devices
- **Operation with additional DC 24 V supply**
- **Microprocessor-controlled evaluation and line isolation function**
- **Housing for surface mounting with M20 cable entries**
- **Robust construction for use in dry, dusty and wet areas**

Characteristics

- **Function in the interactive and AnalogPLUS/SynoLOOP fire detection system**
 - Address assignment during commissioning via the key on the electronics unit.
 - Correct addressing is indicated by the flashing of the LED.
 - The key and LED are only accessible or visible when the housing is open.
- **Application in the collective/SynoLINE600 fire detection system**
 - For galvanic isolation (detection line coupler) between control unit and e.g. shunt Zener diode barrier SB3 with fire detectors for explosion-hazard areas.
- **Application in the interactive and AnalogPLUS/SynoLOOP fire detection system**
 - For the connection of fire detectors with collective/SynoLINE600 address (special detectors or via shunt Zener diode barriers, detectors for explosion-hazard areas) or for the activation of alarm devices.
 - For connection on the line direct as a bus user.

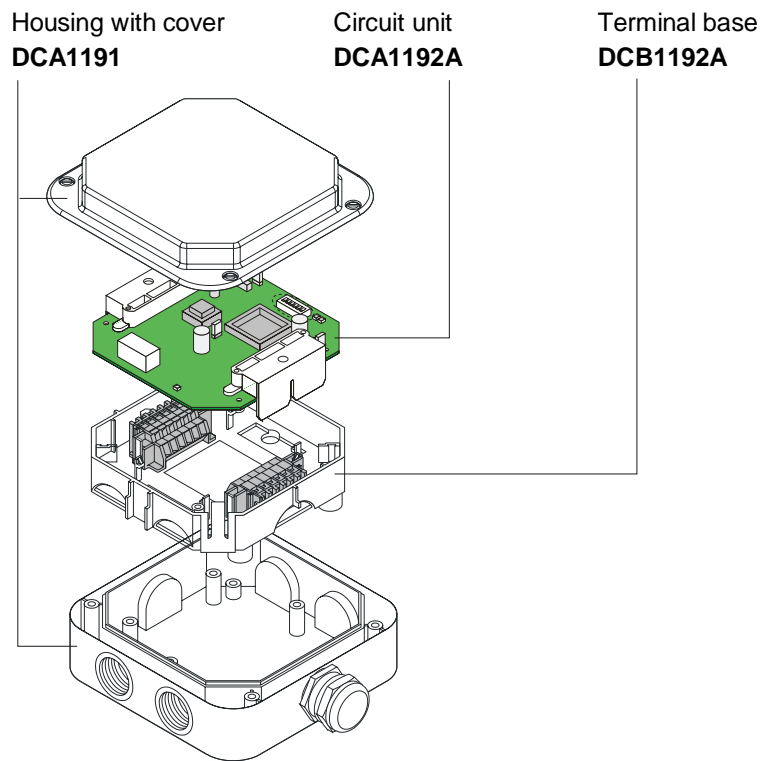


- **Built-in line separators**
 - Any short-circuit on the detector bus is located from the central control unit and the defective part is isolated between two line separators. A ring-connection installation guarantees optimum safety.

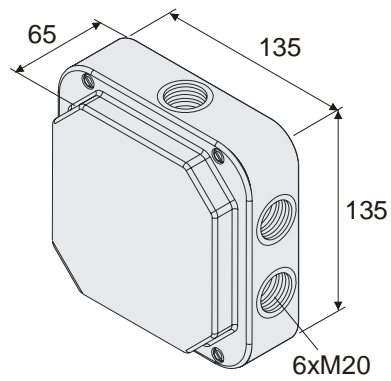
Installation

- The housing with cover DCA1191 and the terminal plate DCB1192A are required for installation.
- The housing has six M20 threaded cable entries to feed in the cable.
- The DCA1192A electronics unit is only inserted after the wiring check shortly before commissioning.

Components




Dimensions



Technical data

Primary line	Collective line/SynoLINE600		
	- compatible with	E3M080, C11110/15, FC330A, FC10, FC700A, CZ10, KB24, GF24	
	- Connection factor KMK	1	
Interactive line	- compatible with	E3M071, K3M071	
	- Connection factor IMK	2	
	- Line separator factor ITK	1	
AnalogPLUS/SynoLOOP	- compatible with	E3M111, K3M111, C11115, FC330A, FC700A	
	- Connection factor APMK	3	
	<hr/>		
Secondary line	Collective line/SynoLINE600		
	- Operating voltage	DC 18...22 V	
	- Operating current	max. 5 mA	
	- Line resistance, depends on the type of line	50...250 Ω	
	- End-of-line unit	EOL22 (Ex)	
	- Line factor KLK	25	
	<hr/>		
	External supply		
	- Operating voltage	DC 18...32 V	
	- Quiescent current (standby)	≤ 45 mA	
	- Operating current, collective line	≤ 0.15 A	
	- Operating current, control line	0.2...2 A	
	- Ripple	max. 2 V _{pp}	
	<hr/>		
	Control line		
	- Operating voltage	DC 18...32 V	
	- Operating current	max. 2 A, 60 W	
	- End-of-line unit, resistor	3k01, 1 %, ¼ W	
	Wire cross-sectional area per terminal	0.2...2.5 mm ² (AWG24...14)	
	Operating temperature	-25...+70 °C	
	Storage temperature	-30...+75 °C	
	Humidity	≤95 % rel.	
	Color housing	white, ~RAL 9010	
	Protection category		
	EN 60529 / IEC 60529 with DCA1191	IP56	
Standards	EN 54-17, EN 54-18		
Approvals			
- VdS	G298021		
- LPCB	126m/02		

08  0786	DC1192	Siemens Switzerland Ltd; Gubelstrasse 22 CH-6301 Zug Technical data: see doc. 001519
DC1192 - Input/output device incl. short-circuit isolator for use in fire detection and fire alarm systems installed in buildings.		
305/2011/EU (CPR): EN 54-18 / EN 54-17 ; 2014/30/EU (EMC): EN50130-4 / EN61000-6-3		
The declared performance and conformity can be seen in the Declaration of Performance (DoP) and the EU Declaration of Conformity (DoC), which is obtainable via the Customer Support Center: Tel. +49 89 9221-8000 or http://siemens.com/bt/download		
DoP No.: 0786-CPR-20512; DoC No.: CED-DC1192		

Further details can be found in the documents

- 'Fire protection in explosion-hazard areas', no. 1204
- Connection factors for fire alarm detection system Nr. 001508

Details for ordering

Type	Part no	Designation	Weight	
DCA1191	BPZ:4588560001	Housing with cover	0,346 kg	
DCA1192A	BPZ:5081200001	Circuit unit	0,135 kg	
DCB1192A	BPZ:5084500001	Terminal base	0,070 kg	
DBZ1190-AA	BPZ:4677080001	Auxiliary terminal, 0.28...0.5 mm ²	0,007 kg	
–	A5Q00004478	Metal screwed cable gland M20 x 1.5	0,039 kg	
Spare parts	EOL22(Ex)	BPZ:5162220001	End-of-line unit	0,006 kg

Issued by
Siemens Switzerland Ltd
Building Technologies Division
International Headquarters
Gubelstrasse 22
CH-6301 Zug
Tel. +41 41 724 24 24
www.siemens.com/buildingtechnologies

© Siemens Switzerland Ltd, 2015
Technical specifications and availability subject to change without notice.