



ABI322A / ABI320A

Synova™

Auto-addressable input/output module

CE

For the detector bus SynoLOOP

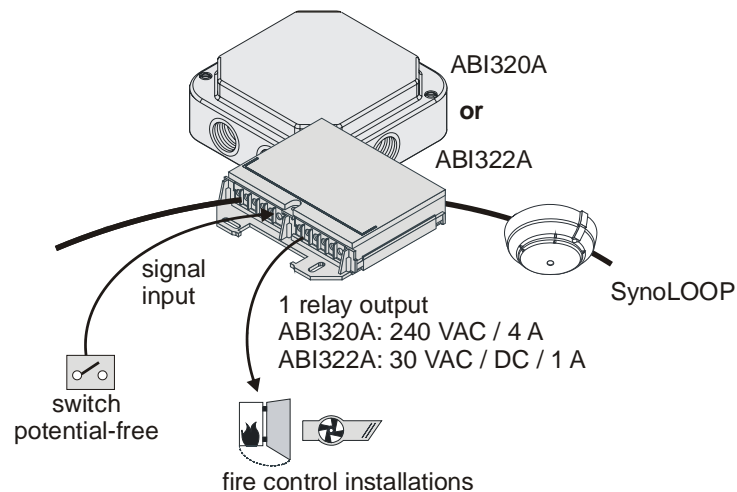
-
- Auto-addressing makes commissioning safe and easy
 - Flexible application due to variety of versions
 - Quick and cost-effective installation (unshielded twisted pair)
 - Line short-circuits are automatically isolated

- **Function**

- Address allocation is made during commissioning. A key is provided on the circuit units for alarm. Correct addressing is indicated by flashing of the LED.
- **ABI320A:** With closed housing, the key and the LED are not visible.
- **ABI322A:** The LED lights through the transparent cover.
- The key is provided to release a danger signal during normal operation (performance check)
- Messages can be carried out with volt-free make or break contacts. These are connected to the monitored signal input.

- **Application**

- ABI32xA with a volt-free changeover contact provides decentralized activation of fire doors, ventilators, air conditioning, lift controls etc.
- The signal input for status or alarm messages is configurable via the fire detection control unit.



- **Built-in line separator**

Any short circuit on the detection line is located by the control unit and the defective component isolated. A loop line ensures optimal security.

Installation

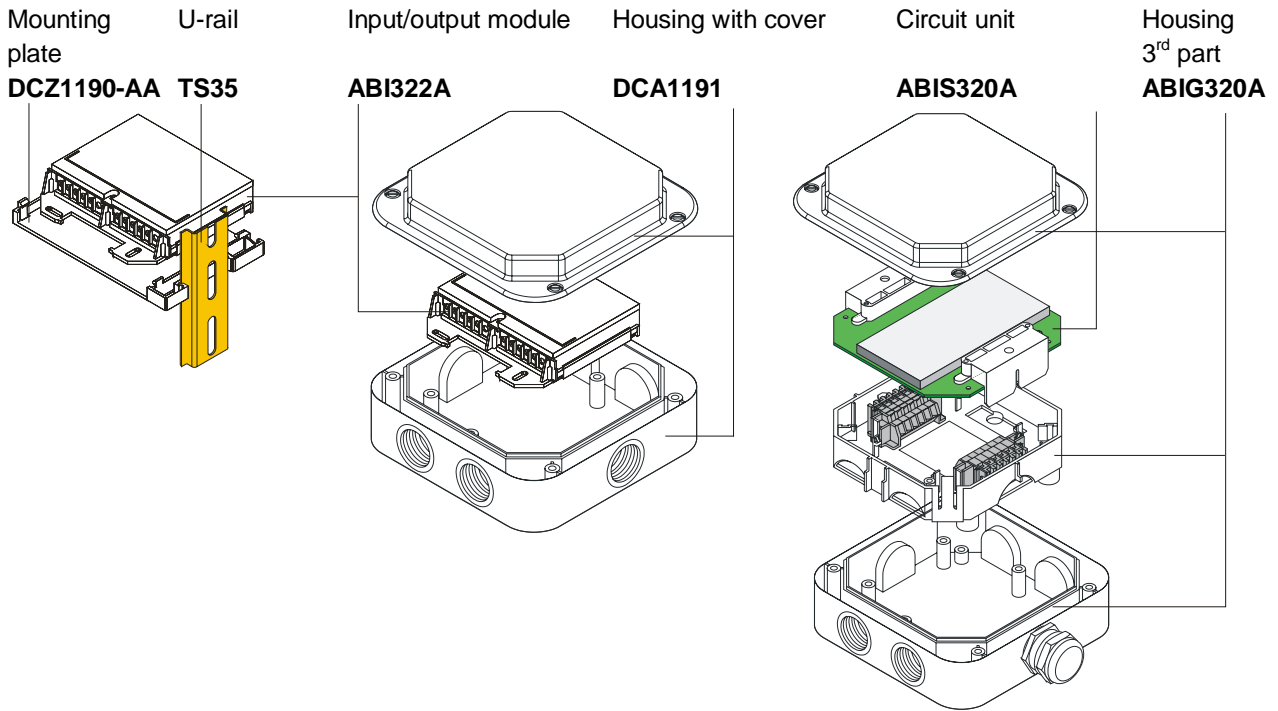
ABI320A

- The housing with terminal base ABIG320A is required for installation.
- The housing has six M20 threaded cable entries to feed in the cable.
- It can be used in dry, dusty and wet areas.

ABI322A

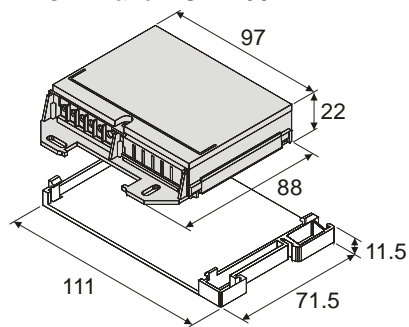
- Mount in series on standard rail TS35 with mounting plate DCZ1190-AA possible.
- Modules can be installed and connected with or without the electronics unit being inserted.
- It can be used in dry areas.
- For applications in humid areas, the module can be built into the housing DCA1191.

Assembly

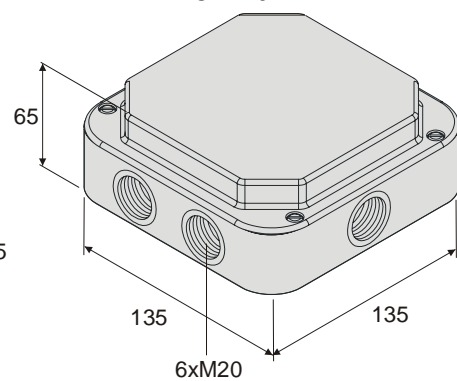


Dimensions

ABI322A and DCZ1190-AA





DCA1191



Technical data

	ABI320A	ABI322A
Wire cross section per terminal	0.2... 2.5 mm ² (AWG24 ... 14)	0.2... 1.5 mm ² (AWG24 ... 16)
Line resistance (detection line)	max. 10 Ω	max. 20 Ω
Relay output volt-free switchover contact	240 VAC / 4 A or 125 VDC / 4 A (max. 150 W)	30 VAC / DC / 1 A
Connection factor AMPK	2	2
Operating temperature	-25... +70 °C	-10... +60 °C
Storage temperature	-30... +75 °C	-30... +75 °C
Humidity	≤95 % rel.	≤95 % rel.
Color	white, ~RAL 9010	white, ~RAL 9010, cover transparent
Protection category EN60529 / IEC529	IP56	IP30
- with housing DCA1191	-	IP56
Standards	EN54-17, EN54-18	EN54-17, EN54-18
Approvals		
- VdS	-	G299033
- LPCB	-	126p/03
- Relay	SEV/VDE	-

08  0786	ABI320A	Siemens Switzerland Ltd; Gubelstrasse 22 CH-6301 Zug Technical data: see doc. 001856
ABI320A - Input/output device incl. short-circuit isolator for use in fire detection and fire alarm systems installed in buildings.		
305/2011/EU (CPR): EN 54-18 / EN 54-17 ; 2014/30/EU (EMC): EN 50130-4 / EN 61000-6-3 ; 2014/35/EU (LVD): EN 60950-1		
The declared performance and conformity can be seen in the Declaration of Performance (DoP) and the EU Declaration of Conformity (DoC), which is obtainable via the Customer Support Center: Tel. +49 89 9221-8000 or http://siemens.com/bt/download		
DoP No.: 0786-CPR-20626; DoC No.: CED-ABI320A		

08  0786	ABI322A	Siemens Switzerland Ltd; Gubelstrasse 22 CH-6301 Zug Technical data: see doc. 001889
ABI322A - Input/output device incl. short-circuit isolator for use in fire detection and fire alarm systems installed in buildings.		
305/2011/EU (CPR): EN 54-18 / EN 54-17 ; 2014/30/EU (EMC): EN 50130-4 / EN 61000-6-3		
The declared performance and conformity can be seen in the Declaration of Performance (DoP) and the EU Declaration of Conformity (DoC), which is obtainable via the Customer Support Center: Tel. +49 89 9221-8000 or http://siemens.com/bt/download		
DoP No.: 0786-CPR-20505; DoC No.: CED-ABI322A		

Details for ordering

	Type	Part no	Designation	Weight
ABI320A	ABIG320A	BPZ:5169500001	Housing with terminal base and cover	0.420 kg
	ABIS320A	BPZ:5169180001	Circuit unit	0.102 kg
	DBZ1190-AA	BPZ:4677080001	Micro terminal 0.28... 0.5 mm ²	0.001 kg
	–	A5Q00004478	Metal screwed cable gland M20 x 1.5	0.039kg
ABI322A	ABI322A	BPZ:5311680001	Input/output module	0.097 kg
	DCZ1190-AA	BPZ:5226270001	Mounting plate	0.020 kg
	TS35	BPZ:5644780001	U-Rail TS35, L=122 mm	0.040 kg
	DCA1191	BPZ:4588560001	Housing with cover	0.346 kg

Issued by
Siemens Switzerland Ltd
Building Technologies Division
International Headquarters
Gubelstrasse 22
CH-6301 Zug
Tel. +41 41 724 24 24
www.siemens.com/buildingtechnologies

© Siemens Switzerland Ltd, 2015
Technical specifications and availability subject to change without notice.