

AB322A

Synova™

Auto-addressable output module



For the detector bus SynoLOOP

-
- Auto-addressing makes commissioning safe and easy
 - Flexible application due to a variety of versions
 - Quick and cost-effective installation (unshielded twisted pair)
 - Line short-circuits are automatically isolated

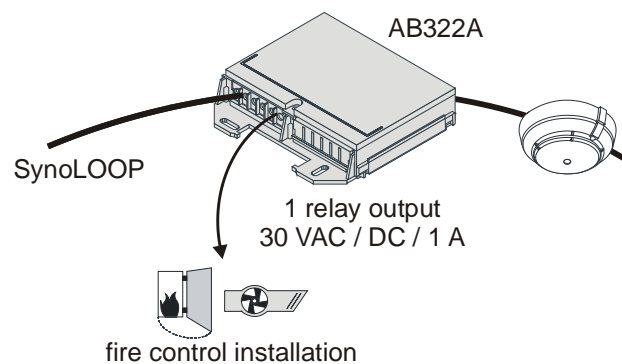
Characteristics

- **Function**

- The SynoLOOP detector bus allows decentralized activation of fire doors, fans, air conditioning systems, lift control systems etc. They can be used to switch the external equipment on or off in case of a fire event.
- Any short-circuit on the detector bus is immediately located from the fire control panel, and the defective cable is automatically isolated between two modules. The loop-connection design of the SynoLOOP ensures optimum safety.

- **Application**

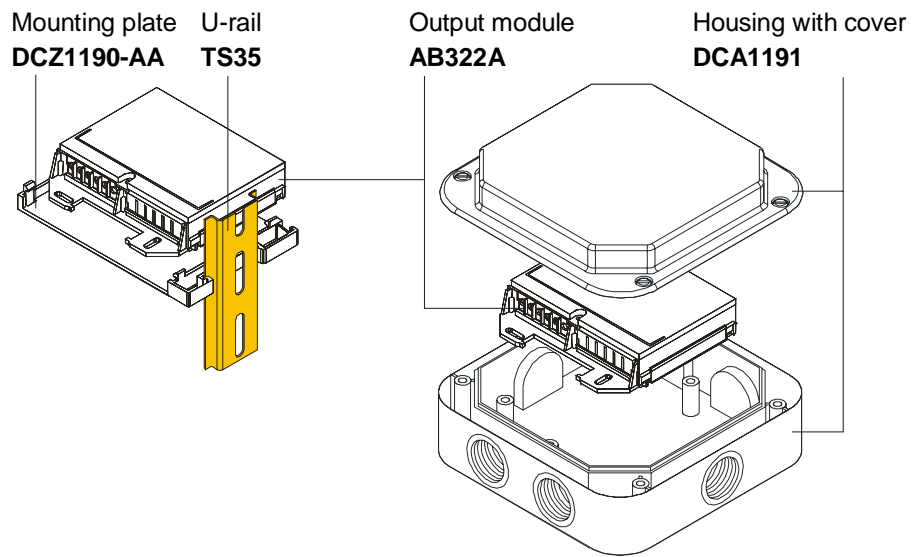
- The output module is the simple and more favorably priced version which can be quickly installed on a U-rail TS35.
- The DCA1191 protective housing makes it more robust and suitable for use in harsh environments.



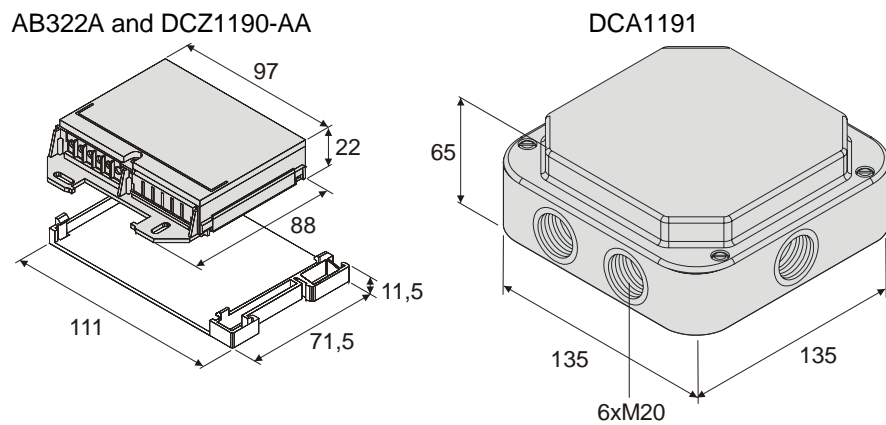
Installation

- The simple twisted pair installation saves time and reduces fault sources.
- The SynoLOOP output module enables simple installation decentralized outputs.
- No additional voltage supply is needed as the output module draws its operating voltage directly from the SynoLOOP.
- Mount in series on standard rails with mounting plate DCZ1190-AA possible.

Assembly




Dimensions



Technical data

Wire cross section per terminal	0.2 ... 1.5 mm ² (AWG24 ... 16)
Relay contact	
– switching voltage	max. 30 VAC/DC
– switching current	max. 1 A
Connection factor APMK	2
Operating temperature	-10... +60 °C
Storage temperature	-30... +75 °C
Humidity	≤95 % rel.
Color	
– AB322A	white, ~RAL 9010, cover transparent
– DCA1191	white, ~RAL 9010
Protection category EN60529 / IEC529	IP30
– with housing DCA1191	IP56
Standards	EN54-17, EN54-18
Approvals	
– VdS	G299033
– LPCB	126p/02

08  0786	AB322A	Siemens Switzerland Ltd; Gubelstrasse 22 CH-6301 Zug Technical data: see doc. 001888
AB322A - Input/output device incl. short-circuit isolator for use in fire detection and fire alarm systems installed in buildings.		
305/2011/EU (CPR): EN 54-18 / EN 54-17 ; 2014/30/EU (EMC): EN 50130-4 / EN 61000-6-3		
The declared performance and conformity can be seen in the Declaration of Performance (DoP) and the EU Declaration of Conformity (DoC), which is obtainable via the Customer Support Center: Tel. +49 89 9221-8000 or http://siemens.com/bt/download		
DoP No.: 0786-CPR-20505; DoC No.: CED-AB322A		

Details for ordering

Type	Part no	Designation	Weight
AB322A	BPZ:5311550001	Output module	0.095 kg
DCZ1190-AA	BPZ:5226270001	Mounting plate	0.020 kg
–	BPZ:5644780001	U-Rail TS35, L=122 mm	0.040 kg
DCA1191	BPZ:4588560001	Housing with cover	0.346 kg
–	A5Q00004478	Metal screwed cable gland M20 x 1.5	0.039 kg

Issued by
Siemens Switzerland Ltd
Building Technologies Division
International Headquarters
Gubelstrasse 22
CH-6301 Zug
Tel. +41 41 724 24 24
www.siemens.com/buildingtechnologies

© Siemens Switzerland Ltd. 2009
Technical specifications and availability subject to change without notice.