

CB320A

Synova™

Input module



For control conventional SynoLINE300 detectors

-
- Decentralised connection of collective SynoLINE300 lines
 - Ideal for the retrofit business
 - Quick and cost-effective installation (unshielded twisted pair)
 - For use in dry, dusty and damp areas
 - Connection of up to 32 fire alarms with a collective address
 - Line short-circuits are automatically isolated

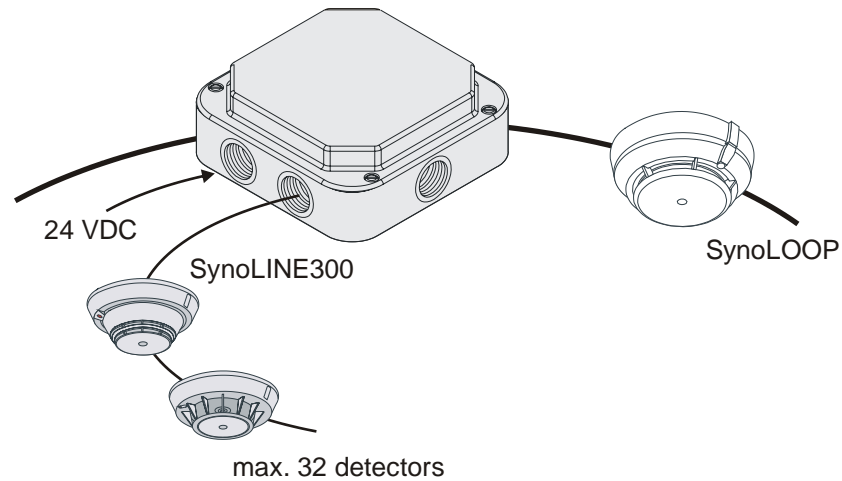
Characteristics

- **Function**

- Address assignment is commissioned by using a function button on the electronic unit.
- The correct addressing is indicated by a flashing LED.
- The function button and LED are only visible and accessible with the housing open.

- **Application**

- The CB320A input module is used in the SynoLOOP fire detection system for the decentralised selection of fire detectors with a collective address.



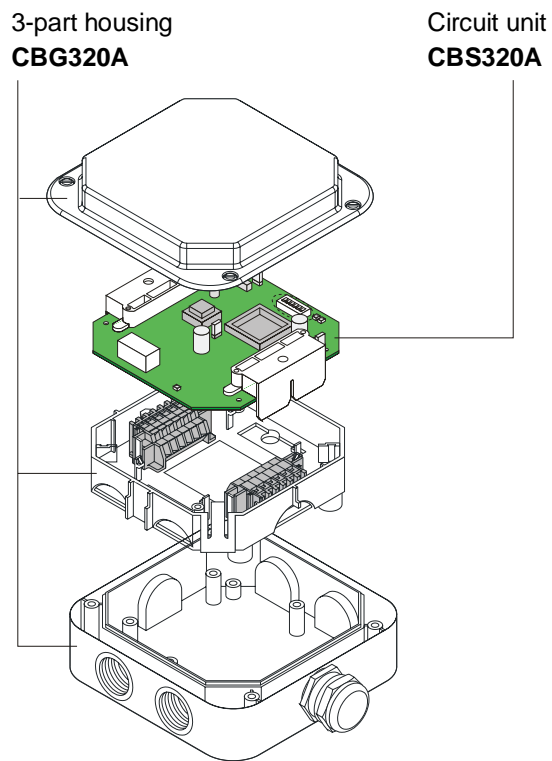
- **Built-in line separators**

- Any short-circuit on the detector bus is located from the central control unit and the defective part is isolated between two line separators. A ring-connection installation guarantees optimum safety.

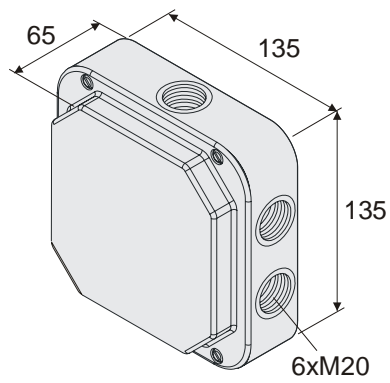
Installation

- The CBG320A housing with the cover and a terminal base is required for the installation.
- Six M20 conduit threaded fittings are available on the housing for insertion of the cables.
- The installation of the CBS320 electronic unit should be checked just before commissioning.

Components




Dimensions



Technical data

Primary line	SynoLOOP – Connection factor AMPK	3
Secondary line	Collective line SynoLINE300 – Operating voltage – Operating current – Line resistance – Line termination – Collective line characteristic	18 ... 22 VDC max. 12 mA max. 80 Ω EOL22 (Ex) 32
	External supply – Operating voltage – Closed-circuit current (standby) – Operating current – Ripple	18... 32 VDC ≤ 50 mA ≤ 160 mA max. 2 V _{pp}
	Wire cross-section per terminal	0.2... 2.5 mm ² (AWG24... 14)
	Operating temperature	-25... +70 °C
	Storage temperature	-30... +75 °C
	Humidity	≤95 % rel.
	Color housing	white, ~RAL 9010
	Protection category EN60529 / IEC529 with CBG320A	IP56
	Standards	EN54-17, EN54-18
	Approvals – VdS – LPCB	G299104 126t/02

08  0786	CB320A	Siemens Switzerland Ltd; Gubelstrasse 22 CH-6301 Zug Technical data: see doc. 001894
CB320A - Input/output device incl. short-circuit isolator for use in fire detection and fire alarm systems installed in buildings.		
305/2011/EU (CPR): EN 54-18 / EN 54-17 ; 2014/30/EU (EMC): EN 50130-4 / EN-61000-6-3		
The declared performance and conformity can be seen in the Declaration of Performance (DoP) and the EU Declaration of Conformity (DoC), which is obtainable via the Customer Support Center: Tel. +49 89 9221-8000 or http://siemens.com/bt/download		
DoP No.: 0786-CPR-20513; DoC No.: CED-CB320A		

Details for ordering

	Type	Part no	Designation	Weight
Line input module	CBG320A	BPZ:5305250001	Housing with cover and terminal base	0.413 kg
	CBS320A	BPZ:5305120001	Circuit unit	0.090 kg
	DBZ1190-AA	BPZ:4677080001	Micro terminal, 0.28... 0.5 mm ²	0.007 kg
	–	A5Q00004478	Metal screwed cable gland M20 x 1.5	0.039 kg
Spare part	EOL22(Ex)	BPZ:5162220001	Line termination	0.006 kg

Issued by
Siemens Switzerland Ltd
Building Technologies Division
International Headquarters
Gubelstrasse 22
CH-6301 Zug
Tel. +41 41 724 24 24
www.siemens.com/buildingtechnologies

© Siemens Switzerland Ltd, 2015
Technical specifications and availability subject to change without notice.