

EB322A

Synova™

Auto-addressable input module



For the detector bus SynoLOOP

-
- Auto-addressing makes commissioning safe and easy
 - Line short-circuits are automatically isolated
 - Flexible application due to a variety of versions
 - Quick and cost-effective installation (unshielded twisted pair)
 - Test function to activate the danger report on the fire control panel

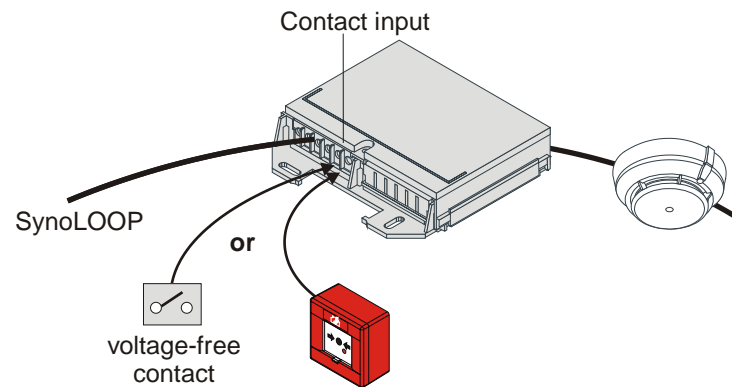
Characteristics

- **Function**

- On the SynoLOOP detector bus, the EB322A input module enables danger messages to be transmitted from sprinkler contacts or locally-provided manual call points with a voltage-free contact.
- Any short-circuit on the detector bus is immediately located from the fire control panel, and the defective cable is automatically isolated between two modules. The ring-connection design of the SynoLOOP ensures optimum safety.
- For test purposes, a button on the circuit board can be used to activate a danger report.

- **Application**

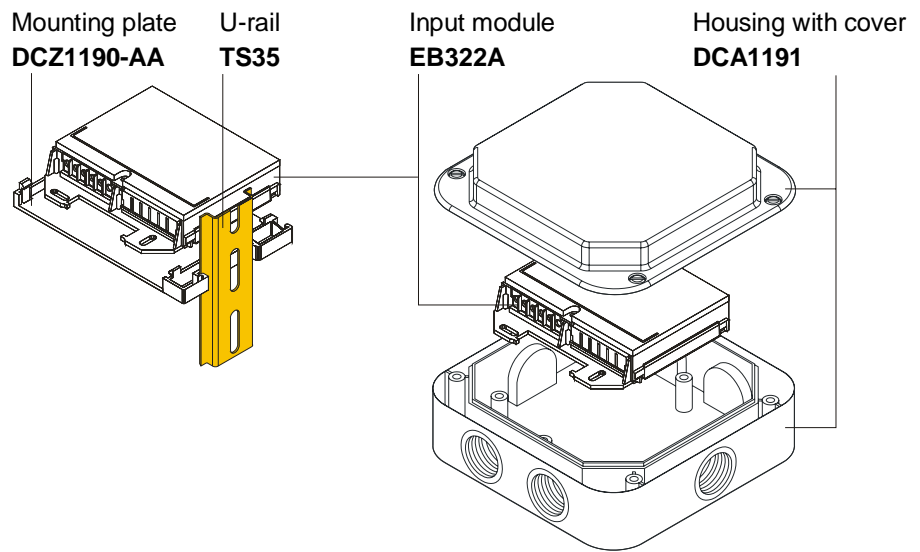
- The input module is the simple and more favorably priced version which can be quickly installed on a U-rail TS35.
- The DCA1191 protective housing makes it more robust and suitable for use in harsh environments.



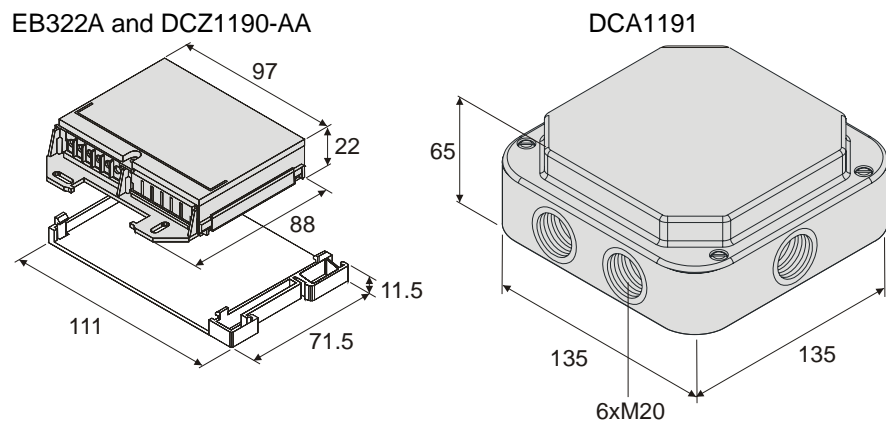
Installation

- The simple twisted pair installation saves time and reduces fault sources
- The SynoLOOP input module enables decentralized inputs.
- No additional voltage supply is needed as the input module draws its operating voltage directly from the SynoLOOP.
- Mount in series on standard rails with mounting plate DCZ1190-AA possible.

Assembly




Dimensions



Technical data

Wire cross-section per terminal	0.2... 1.5 mm ² (AWG24... 16)
Line resistance (detection line)	max. 50 Ω
Connection factor APMK	1
Operating temperature	-10... +60 °C
Storage temperature	-30... +75 °C
Humidity	≤95 % rel.
Color	
– EB322A	white, ~RAL 9010, cover transparent
– DCA1191	white, ~RAL 9010
Protection category EN60529 / IEC529	IP30
– with housing DCA1191	IP56
Standards	EN54-17, EN54-18
Approvals	
– VdS	G299033
– LPCB	126p/01

08  0786	EB322A	Siemens Switzerland Ltd; Gubelstrasse 22 CH-6301 Zug Technical data: see doc. 001887
EB322A - Input/output device incl. short-circuit isolator for use in fire detection and fire alarm systems installed in buildings.		
305/2011/EU (CPR): EN 54-18 / EN 54-17 ; 2014/30/EU (EMC): EN 50130-4 / EN 61000-6-3		
The declared performance and conformity can be seen in the Declaration of Performance (DoP) and the EU Declaration of Conformity (DoC), which is obtainable via the Customer Support Center: Tel. +49 89 9221-8000 or http://siemens.com/bt/download		
DoP No.: 0786-CPR-20505; DoC No.: CED-EB322A		

Details for ordering

Type	Part no	Designation	Weight
EB322A	BPZ:5311420001	Input module	0.090 kg
DCZ1190-AA	BPZ:5226270001	Mounting plate	0.020 kg
–	BPZ:5644780001	U-rail TS35, L=122 mm	0.040 kg
DCA1191	BPZ:4588560001	Housing with cover	0.346 kg
–	A5Q00004478	Metal screwed cable gland M20 x 1.5	0.039 kg

Issued by
Siemens Switzerland Ltd
Building Technologies Division
International Headquarters
Gubelstrasse 22
CH-6301 Zug
Tel. +41 41 724 24 24
www.siemens.com/buildingtechnologies

© Siemens Switzerland Ltd, 2015
Technical specifications and availability subject to change without notice.