



DM1131 / DM1133 / DM1134

AlgoRex
Synova™

Manual call points



AnalogPLUS/SynoLOOP

-
- Manual call points to the fire detection system AnalogPLUS/SynoLOOP
 - Manual call point DM1131 with direct operation
 - Manual call point DM1133 with indirect operation and DM1134 with direct operation
 - Two-wire installation

Characteristics

- **Environmental**

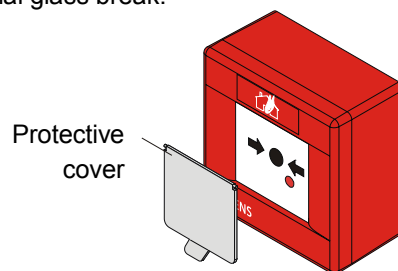
- Ecologically processing
- Recyclable materials
- Electronic and synthetic material simple separable

- **Characteristics**

- Protected electronic
- Alarm indicator (LED) built-in
- Integrated line separator
- Address allocation when the call point is activated for the first time

Manual call point DM1131

A protective cover FDMC291 (accessory) protects the manual call point from unintentional glass break.



- **Function**

- Direct alarm actuation by pushing in the glass plate
- By replacing the glass plate the push button is set back and the device is ready for operation again.

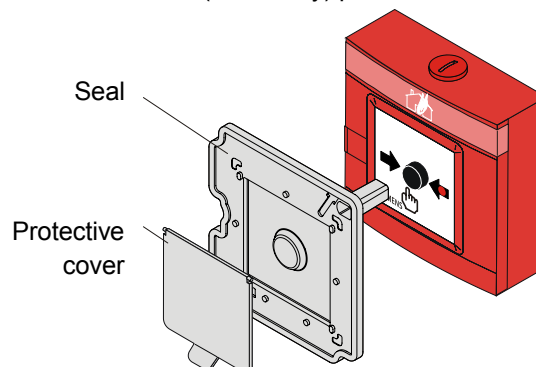
- **Application**

- For the immediate manual actuation of an alarm
- For indoor and outdoor application
- For surface- and recess-mounted feed lines in easily accessible places

Manual call point DM1133 / DM1134

A protective cover DMZ1197-AC (accessory) protects the manual call point from unintentional glass break.

A seal DMZ1197-AD (accessory) protects the manual call point in wet applications.



- **Function DM1133**

- Indirect alarm actuation by smashing in the glass plate and pressing the push button
- To replace the glass plate, open the housing door with the key. The push button must be set back before closing the door again.

- **Function DM1134**

- Direct alarm actuation by smashing in the glass plate
- To replace the glass plate, open the housing door with the key, upon closing the door the button is reset

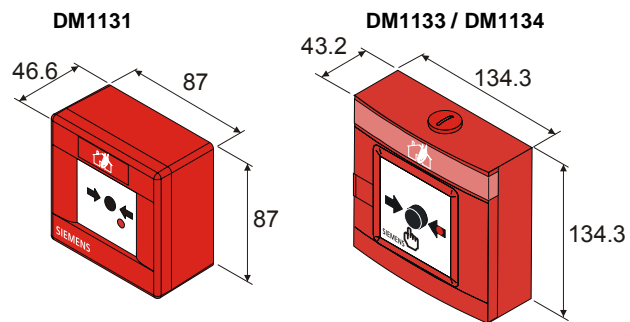
- **Application**

- For the immediate manual actuation of an alarm
- For indoor and outdoor application, equally suited for wet, humid and dusty areas
- For surface- and recess-mounted feed lines in easily accessible places

Installation


- For recess mounted feed lines, break out the break-out point in the housing bottom
- For surface-mounted feed lines to the DM1131, a hole must be drilled into the top or bottom of the detector housing (marking), use at max. cable gland M20
- For surface-mounted feed lines to the DM1133 / DM1134 the housing is equipped with opening at the top and bottom, with sealing studs for M20 cable glands or locking plug M20


Dimensions




Technical data

	DM1131	DM1133 / DM1134
Operating voltage	DC 16...28 V modulated	DC 16...28 V modulated
Terminal block	0.28...1.5 mm ²	0.28...1.5 mm ²
Operating temperature	-25...+70 °C	-25...+70 °C
Storage temperature	-30...+75 °C	-30...+75 °C
Humidity (no condensation)	≤95 % rel.	≤95 % rel.
Connection factor APMK	1	1
Color	red, ~RAL 3000 / blue, ~RAL 5005 yellow, ~RAL 1023 / green, ~RAL 6024	red, ~RAL 3000 / blue, ~RAL 5005 yellow, ~RAL 1023 / green, ~RAL 6024
Protection category IEC 60529	IP44	IP54
- with seal DMZ1197-AD	-	IP65
Standards	EN 54-11, EN 54-17	EN 54-11, EN 54-17
Approvals	DM1131	DM1133 DM1134
- VdS	-	G295030 G299069
System compatibility	Compatible to the AnalogPLUS/SynoLOOP fire detection system	

08  0786	DM1131	Siemens Schweiz AG; Theilerstrasse 1a CH-6300 Zug Technical data: see doc. 007981
DM1131 - Manual callpoint incl. short-circuit isolator for use in fire detection and fire alarm systems installed in buildings.		
305/2011/EU (CPR): EN 54-11 / EN 54-17 ; 2004/108/EC (EMC): EN 50130-4 / EN 61000-6-3		
The declared performance and conformity can be seen in the Declaration of Performance (DoP) and the EU Declaration of Conformity (DoC), which is obtainable via the Customer Support Center: Tel. +49 89 9221-8000 or http://siemens.com/bt/download		
DoP No.: 0786-CPR-20501; DoC No.: CED-DM1131		

08  0786	DM1133	Siemens Schweiz AG; Theilerstrasse 1a CH-6300 Zug Technical data: see doc. 001720
DM1133 - Manual callpoint incl. short-circuit isolator for use in fire detection and fire alarm systems installed in buildings.		
305/2011/EU (CPR): EN 54-11 / EN 54-17 ; 2004/108/EC (EMC): EN 50130-4 / EN 61000-6-3		
The declared performance and conformity can be seen in the Declaration of Performance (DoP) and the EU Declaration of Conformity (DoC), which is obtainable via the Customer Support Center: Tel. +49 89 9221-8000 or http://siemens.com/bt/download		
DoP No.: 0786-CPR-20502; DoC No.: CED-DM1133		

08  0786	DM1134	Siemens Schweiz AG; Theilerstrasse 1a CH-6300 Zug Technical data: see doc. 001721
DM1134 - Manual callpoint incl. short-circuit isolator for use in fire detection and fire alarm systems installed in buildings.		
305/2011/EU (CPR): EN 54-11 / EN 54-17 ; 2004/108/EC (EMC): EN 50130-4 / EN 61000-6-3		
The declared performance and conformity can be seen in the Declaration of Performance (DoP) and the EU Declaration of Conformity (DoC), which is obtainable via the Customer Support Center: Tel. +49 89 9221-8000 or http://siemens.com/bt/download		
DoP No.: 0786-CPR-20504; DoC No.: CED-DM1134		

Details for ordering

	Type	Part no	Designation	Weight
DM1131	FDMH291-R	A5Q00002217	Housing red, with key	0.089 kg
	FDMH291-Y	A5Q00004979	Housing yellow, with key	0.089 kg
	FDMH291-B	A5Q00004980	Housing blue, with key	0.089 kg
	FDMH291-G	A5Q00004981	Housing green, with key	0.089 kg
Accessories	DMA1131	A5Q00005579	Switching unit	0.045 kg
	FDMC291	A5Q00001644	Protective cover	0.010 kg
	–	A5Q00004478	Metal screwed cable gland M20 x 1.5	0.039 kg
Spare parts	–	A5Q00004479	Back nut M20 x 1.5	0.006 kg
	FDMG291	A5Q00002122	Glass	0.006 kg
DM1133 / DM1134	FDMK291	A5Q00001643	Key with cover	0.030 kg
	DMA1192-AA	BPZ:5222870001	Housing red, with glass and key	0.256 kg
	DMA1192-AB	BPZ:5464250001	Housing blue, with glass and key	0.256 kg
	DMA1192-AC	BPZ:5464120001	Housing yellow, with glass and key	0.256 kg
	DMA1192-AD	BPZ:5090190001	Housing green, with glass and key	0.256 kg
	DMA1133D	A5Q00004471	Switching unit to DM1133	0.067 kg
	DMA1134D	A5Q00005926	Switching unit to DM1134	0.070 kg
Accessories	DMZ1197-AC	BPZ:5223550001	Protective cover	0.012 kg
	DMZ1197-AD	BPZ:5470680001	Seal for wet areas	0.023 kg
	–	A5Q00004478	Metal screwed cable gland M20 x 1.5	0.039 kg
	–	A5Q00006735	Locking plug red, M20 x 1.5 (1 hole)	0.007 kg
	–	A5Q00010055	Locking plug red, M20 x 1.5 (2 holes)	0.007 kg
Spare parts	–	BPZ:5358470001	Sticker 'avoid electrostatic charging'	0.003 kg
	DMZ1196-AC	BPZ:4942050001	Glass	0.016 kg
	DMZ1195	BPZ:4851910001	Key	0.003 kg

Disposal



The device is considered an electronic device for disposal in accordance with the European Guidelines and may not be disposed of as domestic garbage.

- Dispose of the device through channels provided for this purpose.
- Comply with all local and currently applicable laws and regulations.

Issued by
Siemens Switzerland Ltd
Building Technologies Division
International Headquarters
Theilerstrasse 1a
CH-6300 Zug
Tel. +41 58 724 24 24
www.siemens.com/buildingtechnologies

© Siemens Switzerland Ltd, 2015
Technical specifications and availability subject to change without notice.