

HI320A

Synova™

## Heat detector (rate of rise and maximum)

CE

For the auto-addressable detector bus SynoLOOP

- 
- Registers rapid temperature rises regardless of the starting temperature
  - Auto-addressing eliminates the setting of dip switches, punch cards, etc. For a safe and easy start up
  - Automatic localization of interruptions and short circuits
  - Immune to mobile telephones, fluorescent tubes and most electromagnetic interference
  - Built-in isolator: in each auto-addressable SynoLOOP element
  - Siemens special: Each detector can be colored
  - Uncompromising use of environmentally-compatible materials
  - Exceeds national and international standards and passes the toughest internal tests

## Features

---

The HI320A is an extremely reliable rate of rise and maximum temperature detector for demanding applications. It is characterized by a reliable response behavior, not only in the event of temperature rises which are slow, but also where the temperature rises are fast.

### ● Product features

- The HI320A is a reliable heat detector for demanding requirements (up to 50 °C). It offers excellent response behavior, both for slow rises in temperature and for rises in temperature which are fast. The immunity from electromagnetic interferences is at least five times better than the present standards.
- The HI320A detector is auto addressed the first time the control panel is switched on. It allows individual identification in case of alarm.
- A loop system ensures optimum security - should a short circuit occur, a built-in isolator localizes the defective part on the detector bus and isolates it between two devices, therefore saving time investigating the entire system.

### ● Application

- The HI320A is best suited for locations where different ambient temperatures occur (e.g. mechanical workshops, machine rooms etc.). Furthermore, its innovative design makes it particularly suitable where dirt, dust (e.g. sawmills) or high humidity environments could affect the operation of traditional detectors.

## Design

---

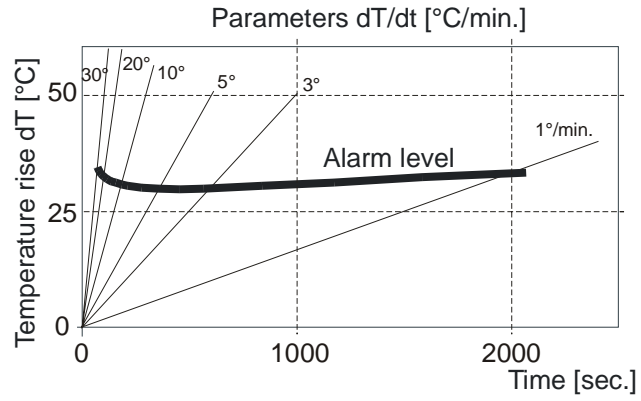
- SO320 detector base – mounted whilst running cables – contains only the screw less click-in connector
- Click concept:
  - Plug-in connector for wiring (line connection)
  - Plug-in mounting for detector
- Up to two external type AI300/AI340 alarm indicators can be connected to each detector

## Options

---

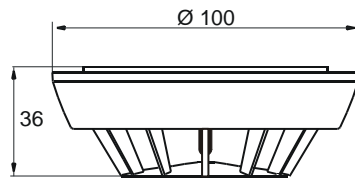
- CDM320 commissioning module: plug-in to check the pre-wired detector lines and base
- SOA322 base attachment for surface mounting
- Anti-theft device: TP320 detector cover locking device

## Typical response curve of detector

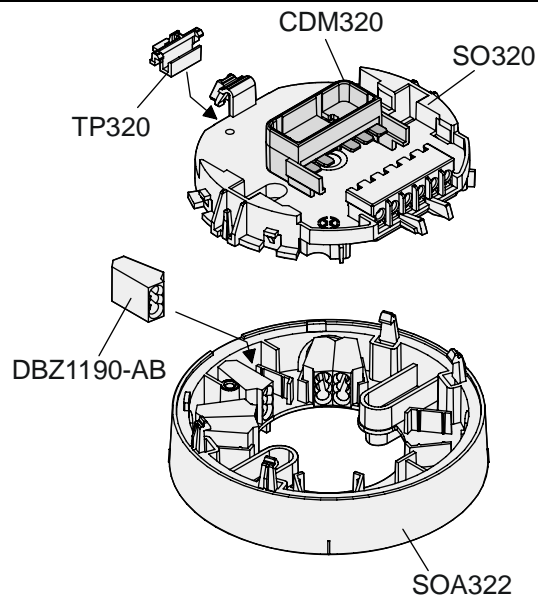


## Dimensions

HI320A with SO320




## Accessories



## Technical data

Operating voltage	16... 28 VDC
Operating current (quiescent)	max. 200 µA
Operating temperature	-10... +50 °C
Storage temperature	-20... +65 °C
Humidity	≤95 % rel.
Protection category	IP44
Color	white, ~RAL 9010
Standards	EN54-17, EN54-5: A1R
Approvals	
– VdS	G298005
– LPCB	531f/03
System compatibility	Compatible with all SynoLOOP panels. A list of compatible equipment is available from your local sales organization.
QS Standard	Industry-specific, certified quality assurance system in accordance with EN ISO 9001:2000.

05  0786	<b>HI320A</b>	Siemens Switzerland Ltd, Gubelstrasse 22 CH-6301 Zug Technical data: see doc. <b>001926</b>
HI320A - Point type heat detector incl. short-circuit isolator for use in fire detection and fire alarm systems installed in buildings.		
305/2011/EU (CPR): EN 54-5 / EN 54-17 ; 2014/30/EU (EMC): EN 50130-4 / EN 61000-6-3		
The declared performance and conformity can be seen in the Declaration of Performance (DoP) and the EU Declaration of Conformity (DoC), which is obtainable via the Customer Support center: Tel. +49 89 9221-8000 or <a href="http://siemens.com/bt/download">http://siemens.com/bt/download</a>		
DoP No.: 0786-CPR-20159; DoC No.: CED-HI320A		

## Details for ordering

	Type	Part no	Designation	Weight
Detector	HI320A	BPZ:5081880001	Heat detector (rate of rise and maximum)	0.040 kg
	SO320	BPZ:5085990001	Base for Synova 300 series detectors	0.020 kg
Accessories	SOA322	BPZ:5358340001	Base attachment for surface mounting	0.020 kg
	DBZ1190-AB	BPZ:4942340001	Connecting terminal 1... 2.5 mm <sup>2</sup>	0.001 kg
	CDM320	BPZ:5162350001	Commissioning unit	0.010 kg
	TP320	BPZ:5093100001	Detector cover locking device	0.005 kg
	FDAI92	S54370-F3-A1	Alarm indicators for wall mounting	0.050 kg
	FDAI91	S54370-F9-A1	Alarm indicators for door frames	0.020 kg
	AI330	BPZ:3169430001	Additional frame	0.020 kg

Issued by  
Siemens Switzerland Ltd  
Building Technologies Division  
International Headquarters  
Gubelstrasse 22  
CH-6301 Zug  
Tel. +41 41 724 24 24  
[www.siemens.com/buildingtechnologies](http://www.siemens.com/buildingtechnologies)

© Siemens Switzerland Ltd, 2015  
Technical specifications and availability subject to change without notice.