



## DM1101 / DM1103 / DM1104 DM1103-L / DM1103-S

AlgoRex  
Synova™

### Manual call points Manual release button and emergency stop button

CE

collective/SynoLINE600

- Manual call point to all fire detection system control units with collective/SynoLINE600 detector evaluation
- Manual call point DM1101 with direct operation
- Manual call point DM1103 with indirect operation and DM1104 with direct operation
- Manual release button DM1103-L and emergency stop button DM1103-S for gas extinguishing system
- Two-wire installation

## Characteristics

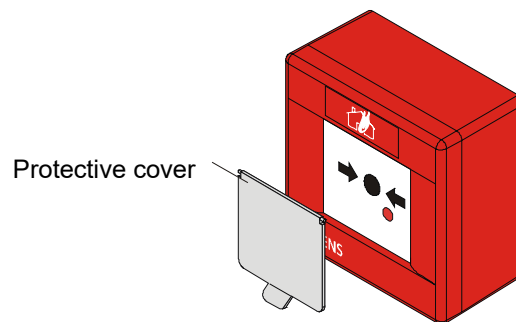
---

- **Environmental**
  - Ecologically processing
  - Recyclable materials
  - Electronic and synthetic material simple separable
- **Characteristics**
  - Protected electronic
  - Alarm indicator (LED) built-in

## Manual call point DM1101

---

A protective cover FDMC291 (accessory) protects the manual call point from unintentional glass break.



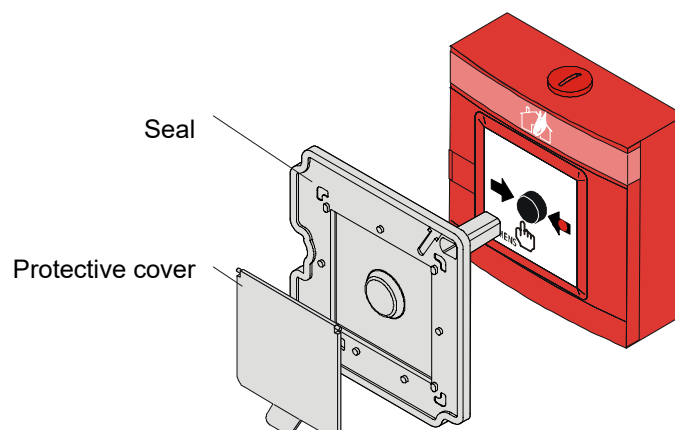
- **Function**
  - Direct alarm actuation by pushing in the glass plate
  - By replacing the glass plate the push button is set back and the device is ready for operation again.
- **Application**
  - For the immediate manual actuation of an alarm
  - For indoor and outdoor application
  - For surface- and recess-mounted feed lines in easily accessible places

## Manual call point DM1103 / DM1104

---

A protective cover DMZ1197-AC (accessory) protects the manual call point from unintentional glass break.

A seal DMZ1197-AD (accessory) protects the manual call point in wet applications.



- **Function DM1103**

- Indirect alarm actuation by pushing in the glass plate and pressing the push button
- To replace the glass plate, open the housing door with the key. The push button must be set back before closing the door again.

- **Function DM1104**

- Direct alarm actuation by pushing in the glass plate
- To replace the glass plate, open the housing door with the key, upon closing the door the button is reset

- **Application**

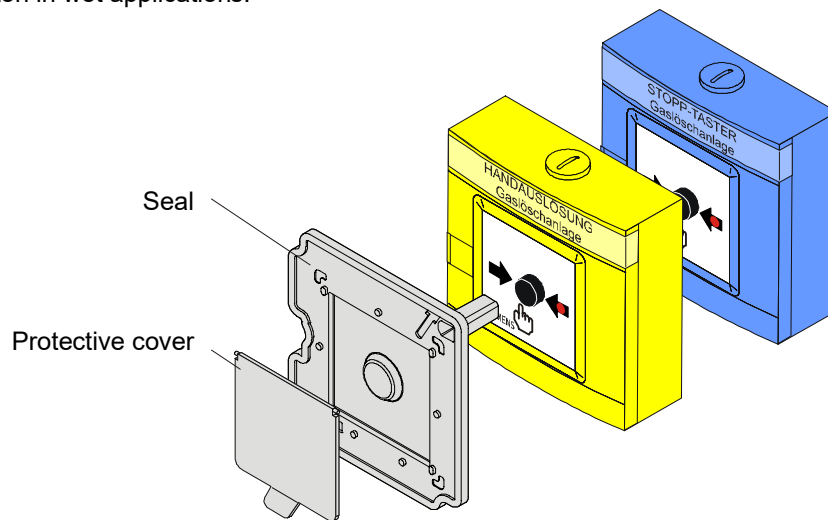
- For the immediate manual actuation of an alarm
- For indoor and outdoor application, equally suited for wet, humid and dusty areas
- For surface- and recess-mounted feed lines in easily accessible places

### Manual release button DM1103-L (yellow) and emergency stop button DM1103-S (blue)

---

A protective cover DMZ1197-AC (accessory) protects the manual release and emergency stop button from unintentional glass break.

A seal DMZ1197-AD (accessory) protects the manual release and emergency stop button in wet applications.



- **Function DM1103-L**

- Indirect extinguishing release by pushing in the glass plate and pressing the push button
- To replace the glass plate, open the housing door with the key. The push button must be set back before closing the door again

- **Function DM1103-S**

- Indirect stop function by pushing in the glass plate and pressing the push button, as soon as the button is not any longer pressed (self reset), the stopped extinguishing release will continue.
- To replace the glass plate, open the housing door with the key.

- **Application**

- For the immediate manual actuation and for the stop function of a gas extinguishing
- For indoor and outdoor application, equally suited for wet, humid and dusty areas
- For surface- and recess-mounted feed lines in easily accessible places

## Installation

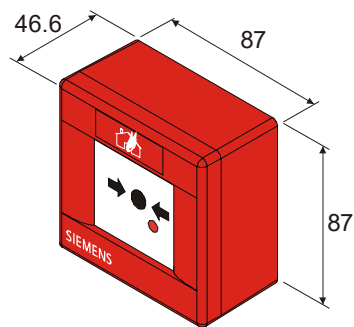
---

- For recess mounted feed lines, break out the break-out point in the housing bottom
- For surface-mounted feed lines to the DM1101, a hole must be drilled into the top or bottom of the detector housing (marking), use at max. cable gland M20
- For surface-mounted feed lines to the DM1103, DM1103-x / DM1104 the housing is equipped with opening at the top and bottom, with sealing studs for M20 cable glands or locking plug

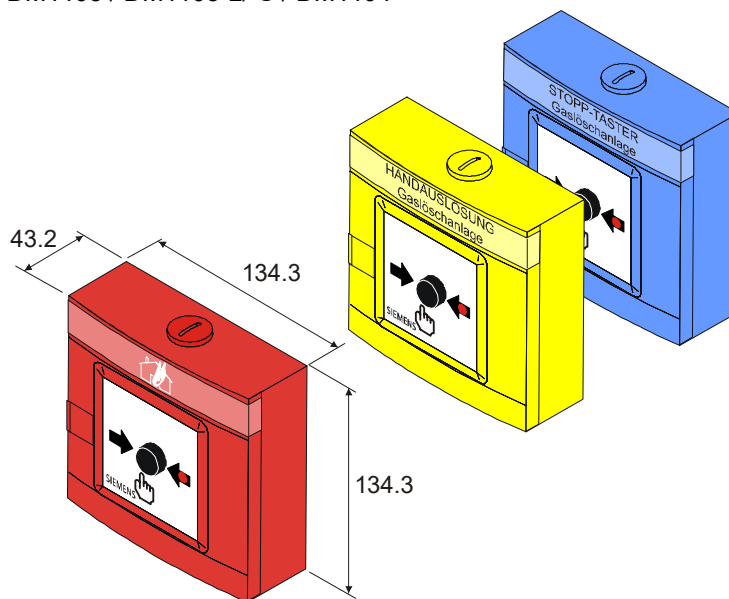
## Dimensions

---

DM1101



DM1103 / DM1103-L/-S / DM1104



**Technical data DM1101 / DM1103 / DM1104**

	DM1101	DM1103 / DM1104
Operating voltage	DC 16...26 V	DC 16...26 V
Max. current, permanent	60 mA	60 mA
Max. pulsed current	100 mA	100 mA
Terminal block	0.28...1.5 mm <sup>2</sup>	0.28...1.5 mm <sup>2</sup>
Operating temperature	-25...+70 °C	-25...+70 °C
Storage temperature	-30...+75 °C	-30...+75 °C
Humidity (no condensation)	≤95 % rel.	≤95 % rel.
Connection factor KMK	1	1
Color	red, ~RAL 3000 / blue, ~RAL 5005 yellow, ~RAL 1023 / green, ~RAL 6024	red, ~RAL 3000 / blue, ~RAL 5005 yellow, ~RAL 1023 / green, ~RAL 6024
Protection category IEC 60529	IP44	IP41
- with seal DMZ1197-AD	-	IP65
Standards	EN 54-11	EN 54-11
Approvals	DM1101	DM1103
- VdS	-	G295036
- LPCB	-	-
System compatibility	Compatible to all fire detection system control units with collective/SynoLINE600 detector evaluation	

**Details for ordering DM1101 / DM1103 / DM1104**

	Type	Part no	Designation	Weight
DM1101	FDMH291-R	A5Q00002217	Housing red, with key	0.089 kg
	FDMH291-Y	A5Q00004979	Housing yellow, with key	0.089 kg
	FDMH291-B	A5Q00004980	Housing blue, with key	0.089 kg
	FDMH291-G	A5Q00004981	Housing green, with key	0.089 kg
	DMA1101	A5Q00005578	Switching unit	0.045 kg
Accessories	FDMC291	A5Q00001644	Protective cover	0.010 kg
	-	A5Q00004478	Metal screwed cable gland M20 x 1.5	0.039 kg
	-	A5Q00004479	Back nut M20 x 1.5	0.006 kg
Spare parts	FDMG291	A5Q00002122	Glass	0.006 kg
	FDMK291	A5Q00001643	Key with cover	0.030 kg
DM1103 / DM1104	DMA1192-AA	BPZ:5222870001	Housing red, with glass and key	0.256 kg
	DMA1192-AB	BPZ:5464250001	Housing blue, with glass and key	0.256 kg
	DMA1192-AC	BPZ:5464120001	Housing yellow, with glass and key	0.256 kg
	DMA1192-AD	BPZ:5090190001	Housing green, with glass and key	0.256 kg
	DMA1103D	A5Q00004470	Switching unit to DM1103	0.067 kg
	DMA1104D	A5Q00005925	Switching unit to DM1104	0.070 kg
Accessories	DMZ1197-AC	BPZ:5223550001	Protective cover	0.012 kg
	DMZ1197-AD	BPZ:5470680001	Seal for wet areas	0.023 kg
	-	A5Q00004478	Metal screwed cable gland M20 x 1.5	0.039 kg
	-	A5Q00006735	Locking plug red, M20 x 1.5 (1 hole)	0.007 kg
	-	A5Q00010055	Locking plug red, M20 x 1.5 (2 holes)	0.007 kg
Spare parts	DMZ1196-AC	BPZ:4942050001	Glass	0.016 kg
	DMZ1195	BPZ:4851910001	Key	0.003 kg
DM1103	FDML223	S54311-B11-A1	MCP label (UV-resistant)	0,001 kg

## Technical data DM1103-L / DM1103-S

	DM1103-L	DM1103-S Application with AlgoRex/SIGMASYS	DM1103-S Application with XC10
Operating voltage	DC 16...26 V	DC 16...26 V	DC 5 V
Max. current, permanent	60 mA	60 mA	5 mA
Max. pulsed current	100 mA	100 mA	–
Terminal block	0.28...1.5 mm <sup>2</sup>	0.28...1.5 mm <sup>2</sup>	
Operating temperature	-25...+70 °C	-25...+70 °C	
Storage temperature	-30...+75 °C	-30...+75 °C	
Humidity (no condensation)	≤95 % rel.	≤95 % rel.	
Connection factor KMK	1	1	
Color	yellow, ~RAL 1023	blue, ~RAL 5005	
Protection category IEC 60529	IP41	IP41	
– with seal DMZ1197-AD	IP65	IP65	
Standards	EN12094-3	EN12094-3	
Approvals			
– VdS	G206029	G206030	
System compatibility	Compatible to all fire detection systems with gas extinguishing		

## Details for ordering DM1103-L / DM1103-S

	Type	Part no	Designation	Weight
MANUAL RELEASE complete for gas extinguishing system	DM1103-L	A5Q00017630	Housing yellow DMA1192-AC, switching unit DMA1103D (lock in), inscription plate MANUAL RELEASE gas extinguishing system, 2 locking plugs M20 x 1.5 (2 holes)	0.344 kg
EMERGENCY STOP complete for gas extinguishing system	DM1103-S	A5Q00014486	Housing blue DMA1192-AB, switching unit spec. (self reset), inscription plate EMERGENCY STOP gas extinguishing system, 2 locking plugs M20 x 1.5 (2 holes)	0.350 kg
Accessories	DMZ1197-AC	BPZ:5223550001	Protective cover	0.012 kg
	DMZ1197-AD	BPZ:5470680001	Seal for wet areas	0.023 kg
	–	A5Q00004478	Metal screwed cable gland M20 x 1.5	0.039 kg
	–	A5Q00010055	Locking plug red, M20 x 1.5 (2 holes)	0.007 kg
Spare parts	DMZ1196-AC	BPZ:4942050001	Glass	0.016 kg
	DMZ1195	BPZ:4851910001	Key	0.003 kg

## Disposal

---



The device is considered an electronic device for disposal in accordance with the European Guidelines and may not be disposed of as domestic garbage.

- Dispose of the device through channels provided for this purpose.
- Comply with all local and currently applicable laws and regulations.

Issued by  
Siemens Switzerland Ltd  
Smart Infrastructure  
Global Headquarters  
Theilerstrasse 1a  
CH-6300 Zug  
Tel. +41 58 724 24 24  
[www.siemens.com/buildingtechnologies](http://www.siemens.com/buildingtechnologies)

© Siemens Switzerland Ltd, 2015  
Technical specifications and availability subject to change without notice.

---

Document no. **007980\_t\_en\_--**  
Edition 2020-08-24