

DBC1191A-AA

Relay base

collective/SynoLINE600, AnalogPLUS/SynoLOOP, interactive

AlgoRex  
Synova™



- 
- Relay base for the fire detection system S11, Synova 600
  - As auxiliary base to the DB11xxA, SO620A detector base
  - Simple installation

## Application

---

- The relay base enables the connection of a simple fire control installation facility. The relay provided is activated via the output in the detector base for the external alarm indicator.

## Operation

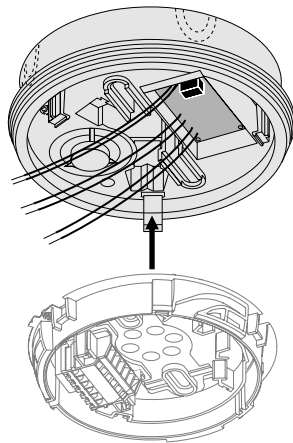
---

- An external supply is always required to activate the fire control installation equipment.
- The 'negative' of the external supply is connected via the relay in the relay base.
- Only **one** relay base or **two** external alarm indicators (AI) may be connected to the output for the external alarm indicator. Combinations are impermissible as the luminosity of the alarm indicator would be too weak and operation of the relay base can be impaired under certain conditions.

## Design

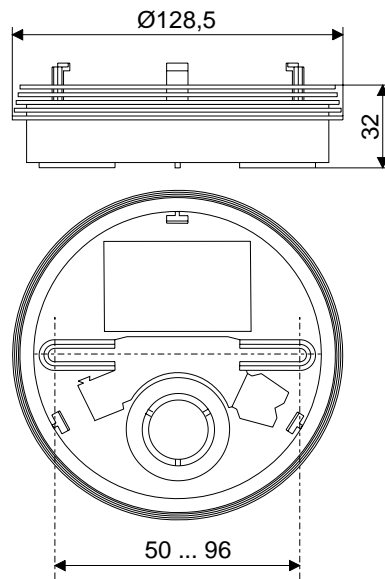
---

- The relay base consists of a plastic housing which is mounted below the detector base.
- The detector base clips on to the relay base.
- The relay base is suitable for surface and concealed detector wiring.




## Dimension

---



## Technical data

Control input from connection of external alarm indicator (AI)	
- continuous	3.5... 9 VDC
- pulsed 50 %	3.5... 14 VDC
Operating current	
- continuous	4... 9 mA
- pulsed 50 %	4... 17 mA
External supply	
- operating voltage	10... 48 VDC
- ripple	max. 2 Vpp
Operating current	
- continuous, relay not activated	3.5... 7 mA
- continuous, relay activated	7.5... 15 mA
- pulsed, relay activated	12... 24 mA
Switch on time ( ≥10 AI pulses)	8... 20 s
Switch off time (after last AI pulse)	5... 50 s
Electric strength of control input → relay contact	500 V
Relay contact load, resistive and inductive load	max. 50 VDC / 0.6 A max. 30 VDC / 1 A max. 10 VDC / 1 A max. 10 VDC / 0.01 A
IEC electromagnetic compatibility	≥25 V/m
Operating temperature	-10... + 60 °C
Storage temperature	-30... + 75 °C
Humidity (no condensation)	≤95 % rel.
Protection category EN60529 / IEC529	IP44
Color	white, ~RAL 9010

04 	<b>DBC1191</b>	Siemens Switzerland Ltd; Gubelstrasse 22 CH-6301 Zug Technical data: see doc. <b>001511</b>
		DBC1191 - Relay base for use in fire detection and fire alarm systems installed in buildings.
2014/30/EU (EMC): EN 50130-4 / EN-61000-6-3		
The declared conformity can be seen in the EU Declaration of Conformity (DoC), which is obtainable via the Customer Support Center: Tel. +49 89 9221-8000 or <a href="http://siemens.com/bt/download">http://siemens.com/bt/download</a>		
DoC No.: CED-DBC1191		

## Details for ordering

	Type	Part no.	Designation	Weight
Spare parts	DBC1191A-AA	BPZ:5017870001	Relay base incl. 2 terminals each DBZ1190-AA and DBZ1190-AB	0.110 kg
	DBZ1190-AA	BPZ:4677080001	Micro terminal 0.28... 0.5 mm <sup>2</sup>	0.001 kg
	DBZ1190-AB	BPZ:4942340001	Connection terminal 1.0... 2.5 mm <sup>2</sup>	0.007 kg

Issued by  
Siemens Switzerland Ltd  
Building Technologies Division  
International Headquarters  
Gubelstrasse 22  
CH-6301 Zug  
Tel. +41 41 724 24 24  
[www.siemens.com/buildingtechnologies](http://www.siemens.com/buildingtechnologies)

© Siemens Switzerland Ltd, 2015  
Technical specifications and availability subject to change without notice.