

HI322C

AlgoRex
Synova™

Heat detector (maximum)

For conventional detector line SynoLINE300



-
- No alarm output for brief temperature rises which pose no danger
 - Immune to mobile telephones, fluorescent tubes and most electromagnetic interference
 - Exceeds national and international standards and passes the toughest internal tests
 - Click concept: Plug-in connections for detector installation and line connection
 - Siemens special: Each detector can be colored
 - Uncompromising use of environmentally-compatible materials

Features

The HI322C is a reliable heat detector for locations in which there are large fluctuations in temperature. It continuously measures the ambient temperature and reacts if there is a sustained overshoot of defined maximum values.

● Product features

- The HI322C continuously monitors the ambient temperature. If the maximum temperature is overshoot, it transmits an alarm after a specified time period. No alarm is given in the event of brief overshoot. The immunity to electromagnetic fields is at least 5x better than the present standards.

● Application

- The HI322C is particularly suitable for locations in which brief, high temperature fluctuations take place. The innovative design results in a high resistance to contamination. This makes it particularly suitable, for instance in kitchens where there is a high fat content in the air, the traditional detectors could be affected by such contamination.

● The Synova 300 range offers the following

- Products for every application
- Maximum flexibility, all types of detector mounted on the same type of base
- Fast, easy installation due to simple click concept

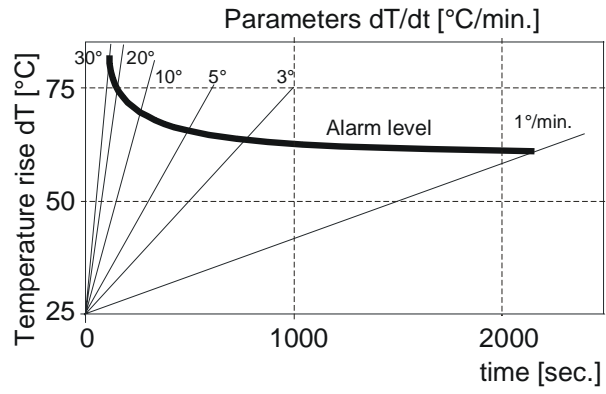
Installation

- SO320 detector base – mounted whilst running cables – contains only the screw less click-in connector
- Click concept:
 - Plug-in connector for wiring (line connection)
 - Plug-in mounting for detector
- Up to two external type AI320/AI322 alarm indicators can be connected to each detector

Options

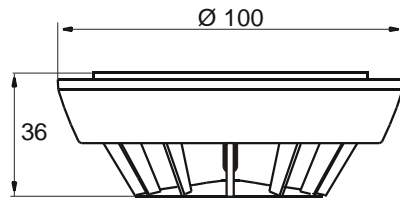
- CDM320 commissioning module: plug-in to check the pre-wired detector lines and base
- SOA322 base attachment for surface mounting
- Anti-theft device: TP320 detector cover locking device

Typical response curve of detector

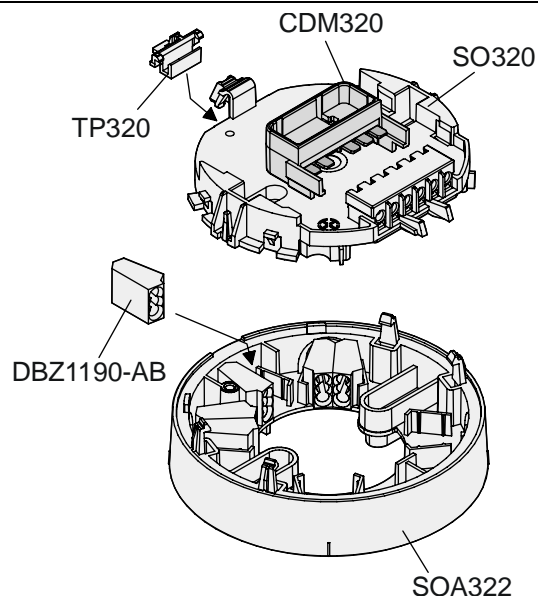


Dimensions

HI322C with SO320




Accessories



Technical data

Operating voltage	16... 28 VDC
Operating current (quiescent)	max. 100 µA
Current consumption in Alarm status	40 mA
Operating temperature	-10... +50 °C
Storage temperature	-20... +60 °C
Humidity	≤95 % rel.
Protection category	IP44
Color	white, ~RAL 9010
Standards	EN54-5: A2 (60 °C maximum)
Approvals	
– VdS	G299024
– LPCB	531b/04
System compatibility	Compatible with all fire detection panels which support the SynoLINE300 specification. Lists of compatible equipment are available from your local sales organization.
QS Standards	Industry-specific, certified quality assurance system in accordance with EN ISO 9001:2000.

05  0786	HI322C	Siemens Switzerland Ltd, Gubelstrasse 22 CH-6301 Zug Technical data: see doc. 001703
HI322C - Point type heat detector for use in fire detection and fire alarm systems installed in buildings.		
305/2011/EU (CPR): EN 54-5 ; 2004/108/EC (EMC): EN 50130-4 / EN 61000-6-3		
The declared performance and conformity can be seen in the Declaration of Performance (DoP) and the EU Declaration of Conformity (DoC), which is obtainable via the Customer Support center: Tel. +49 89 9221-8000 or http://siemens.com/bt/download		
DoP No.: 0786-CPR-20162; DoC No.: CED-HI322C		

Details for ordering

	Type	Part no	Designation	Weight
Detector	HI322C	BPZ:5316470001	Heat detector (maximum)	0.040 kg
	SO320	BPZ:5085990001	Base for Synova 300 series detectors	0.020 kg
Accessories	SOA322	BPZ:5358340001	Base attachment for surface mounting	0.020 kg
	DBZ1190-AB	BPZ:4942340001	Connecting terminal	0.001 kg
	CDM320	BPZ:5162350001	Commissioning unit	0.010 kg
	TP320	BPZ:5093100001	Detector cover locking device	0.005 kg
	AI91C	S54370-F7-A1	Alarm indicators for frame mounting	0.030 kg
	AI92C	S54370-F8-A1	Alarm indicators for surface mounting	0.050 kg
	AI330	BPZ:3169430001	Additional frame	0.020 kg

Issued by
Siemens Switzerland Ltd
Building Technologies Division
International Headquarters
Gubelstrasse 22
CH-6301 Zug
Tel. +41 41 724 24 24
www.siemens.com/buildingtechnologies

© Siemens Switzerland Ltd, 2015
Technical specifications and availability subject to change without notice.