

HI320C

AlgoRex
Synova™

Heat detector (rate of rise and maximum)



For conventional detector line SynoLINE300

-
- Registers rapid temperature rises regardless of the starting temperature
 - Immune to mobile telephones, fluorescent tubes and most electromagnetic interference
 - Exceeds national and international standards and passes the toughest internal tests
 - Click concept: Plug-in connections for detector installation and line connection
 - Siemens special: Each detector can be colored
 - Uncompromising use of environmentally-compatible materials

Features

The HI320C is an extremely reliable rate of rise and maximum temperature detector for demanding applications. It is characterized by reliable response behavior, not only in the event of temperature rises which are slow, but also where the temperature rises are fast.

● Product features

- The HI320C is a reliable heat detector for demanding requirements (up to 50 °C). It offers excellent response behavior, both for slow rises in temperature and for rises in temperature which are fast. The immunity from electromagnetic interferences is at least five times better than the present standards.

● Application

- The HI320C is best suited for locations in which different ambient temperatures occur (e.g. mechanical workshops, tool rooms etc.). Furthermore, its innovative design makes it particularly suitable anywhere where dust, dirt (e.g. sawmills) or high humidity (e.g. wet cells) could affect the operation of traditional detectors.

● The Synova 300 range offers the following

- Products for every application
- Maximum flexibility, all types of detector mounted on the same type of base
- Fast, easy installation due to simple click concept

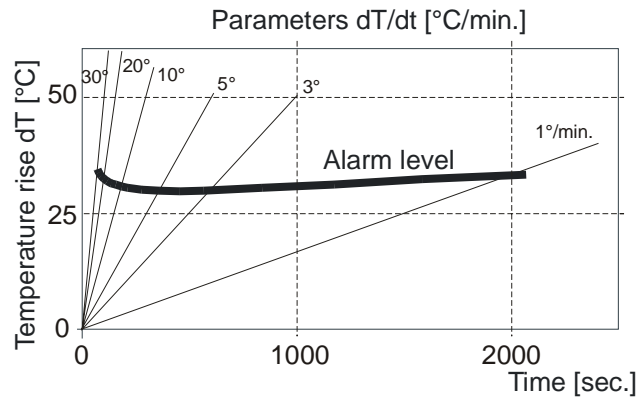
Design

- SO320 detector base – mounted whilst running cables – contains only the screw less click-in connector
- Click concept:
 - Plug-in connector for wiring (line connection)
 - Plug-in mounting for detector
- Up to two external type AI320/AI322 alarm indicators can be connected to each detector

Options

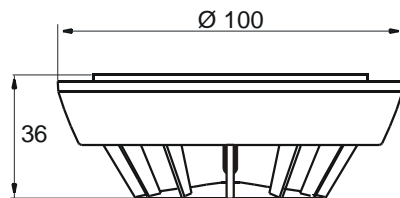
- CDM320 commissioning module: plug-in to check the pre-wired detector lines and base
- SOA322 base attachment for surface mounting
- Anti-theft device: TP320 detector cover locking device

Typical response curve of detector

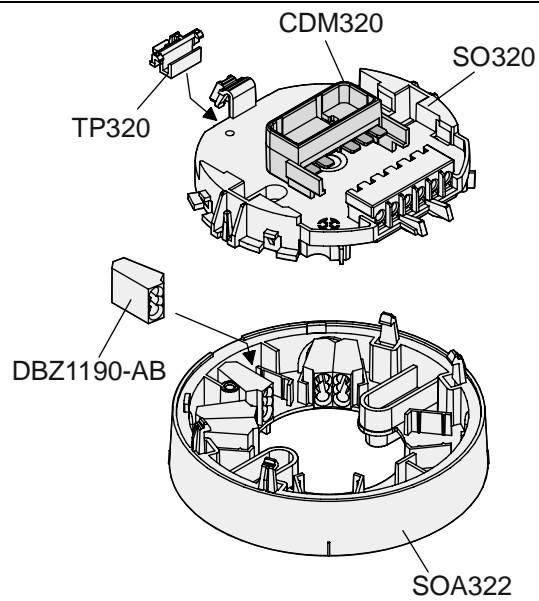


Dimensions

HI320C with SO320




Accessories



Technical data

Operating voltage	16... 28 VDC
Operating current (quiescent)	max. 100 µA
Current consumption in Alarm status	40 mA
Operating temperature	-10... +50 °C
Storage temperature	-20... +65 °C
Humidity	≤95 % rel.
Protection category	IP44
Color	white, ~RAL 9010
Standards	EN54-5: A1R
Approvals	
- VdS	G298040
- LPCB	531b/03
System compatibility	Compatible with all fire detection panels which support the SynoLINE300 specification. Lists of compatible equipment are available from your local sales organization.
QS Standards	Industry-specific, certified quality assurance system in accordance with EN ISO 9001:2000.

05  0786	HI320C	Siemens Switzerland Ltd, Gubelstrasse 22 CH-6301 Zug Technical data: see doc. 001703
HI320C - Point type heat detector for use in fire detection and fire alarm systems installed in buildings.		
305/2011/EU (CPR): EN 54-5 ; 2004/108/EC (EMC): EN 50130-4 / EN 61000-6-3		
The declared performance and conformity can be seen in the Declaration of Performance (DoP) and the EU Declaration of Conformity (DoC), which is obtainable via the Customer Support center: Tel. +49 89 9221-8000 or http://siemens.com/bt/download		
DoP No.: 0786-CPR-20161; DoC No.: CED-HI320C		

Details for ordering

	Type	Part no	Designation	Weight
Detector	HI320C	BPZ:5081590001	Heat detector (rate of rise and maximum)	0.040 kg
	SO320	BPZ:5085990001	Base for Synova 300 series detectors	0.020 kg
Accessories	SOA322	BPZ:5358340001	Base attachment for surface mounting	0.020 kg
	DBZ1190-AB	BPZ:4942340001	Connecting terminal	0.001 kg
	CDM320	BPZ:5162350001	Commissioning unit	0.010 kg
	TP320	BPZ:5093100001	Detector cover locking device	0.005 kg
	AI91C	S54370-F7-A1	Alarm indicators for frame mounting	0.030 kg
	AI92C	S54370-F8-A1	Alarm indicators for surface mounting	0.050 kg
	AI330	BPZ:3169430001	Additional frame	0.020 kg

Issued by
Siemens Switzerland Ltd
Building Technologies Division
International Headquarters
Gubelstrasse 22
CH-6301 Zug
Tel. +41 41 724 24 24
www.siemens.com/buildingtechnologies

© Siemens Switzerland Ltd, 2015
Technical specifications and availability subject to change without notice.