



Desigo™ RX

Room unit with PPS2 interface

QAX32.1

for use with:

- devices of the ranges Desigo RXC, RXB, RXL, and RXA (PPS2)
- Desigo PX Automation stations ¹⁾
- devices with a PPS2 interface

-
- Room temperature measurement
 - Room temperature setpoint adjuster
 - Control mode selector switch (⏻ / Auto)
 - PPS2 interface to controller
 - Socket for commissioning and service tool or service terminal

Use

The room unit is used in rooms controlled by an individual room control system, to measure the room temperature and for operation of a room controller.

It can also be used in conjunction with a Desigo PXC... automation station ¹⁾.

The room unit incorporates a socket for a commissioning and service tool or service terminal. This tool socket provides access via the PPS2 interface or via a bus system (e.g. LONWORKS® bus) to the connected individual room controller.

1) If room units QAX32.1, QAX33.1, QAX34.1 or QAX84.1 are used in conjunction with a PXC automation station, the room unit will show the request of the user and not the effective state.

Ordering

When ordering, please specify the quantity, product name and type code.

Example:

30 Room units QAX32.1

Equipment combinations

The room unit is suitable for use in conjunction with all controllers which incorporate a PPS2 room unit interface (e.g. Desigo RX, Desigo PX).

Mechanical design

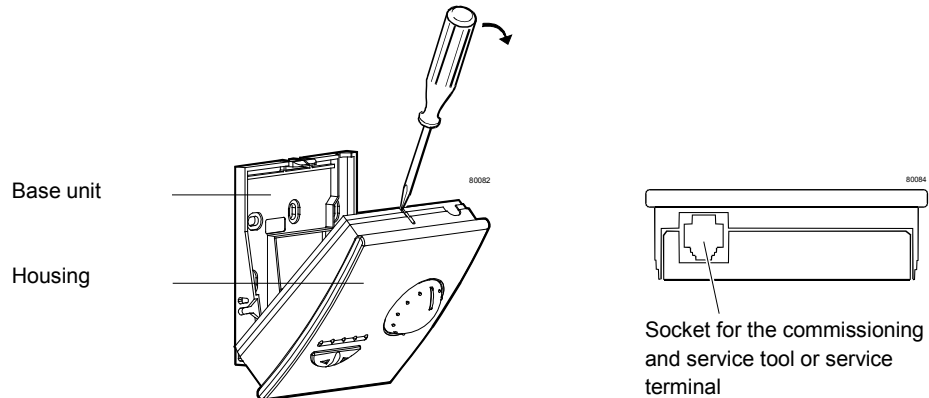
The room unit is designed for surface mounting (with knock-outs for cable entry from the top or bottom) or for mounting on a recessed conduit box with the cables connected from the rear.

The unit comprises a housing and base unit, connected by releasable snap-fittings.

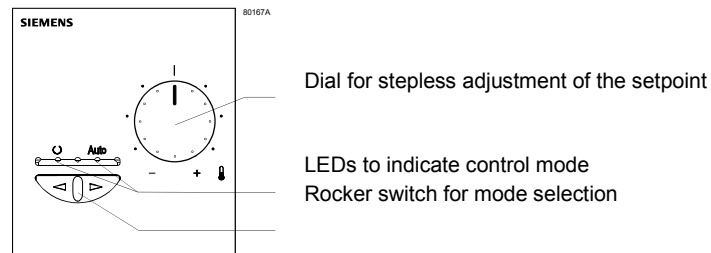
The base unit accommodates the screw terminals which have an integrated terminal strip.

The housing accommodates a printed circuit board, room temperature sensor element, setpoint adjuster, rocker switch for mode selection, plug-in connectors and a socket for the commissioning and service tool or service terminal.

Both the housing and base are made of plastic.



Operator controls and indication



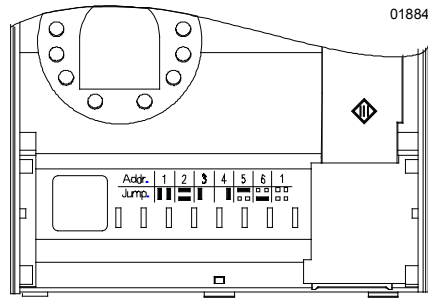
Rocker switch for mode selection

The controller control mode can be selected on the basis of occupancy, using the rocker switch on the room unit (press left or right arrow). The current control mode is indicated by a LED.

Position	Control mode ¹⁾
⏻	The controller operates at the setback setpoints (at night, or when room is unoccupied or occupied intermittently)
Auto	Comfort mode (room occupied)

1) For details of these functions, refer to the application description for the relevant controller range.

Address plugs



Address plugs inside the housing
They allow setting the address in cases where several room units are connected to one controller.
The room units are delivered with address 1.

Disposal



The device is classified as waste electronic equipment in terms of the European Directive 2012/19/EU (WEEE) and should not be disposed of as unsorted municipal waste.

The relevant national legal rules are to be adhered to.

Regarding disposal, use the systems setup for collecting electronic waste.

Observe all local and applicable laws.

Engineering notes

The device receives its power from the connected controller via the PPS2 interface (extra low voltage). Only one room unit may be connected to a RX... room controller.

A maximum of 5 room units may be connected to a PXC... automation station (they are identified by different settings of their address plugs)

A twisted-pair cable is required for the connection to the controller.

Desigo RX uses four-core cables, Desigo PX uses two-core cables (see the respective installation guides). Screening is not required.

Mounting

- The room unit is suitable for wall-mounting and for mounting on a recessed conduit box.
- Do not mount in recesses, shelves, behind curtains or doors, or above or near heat sources.
- Avoid exposure to direct sunlight or draughts.
- The electrical wiring conduit must be sealed where it joins the room unit, to prevent the occurrence of draughts in the conduit which could affect the sensor.
- The specified ambient conditions must be complied with.
- Mounting instructions are printed on the room unit packaging.
- A mounting kit is included with the unit.

Installation notes

Local installation regulations must be observed.



Note!

The room unit is not protected against connection to AC 230 V.

Commissioning notes

Response on start-up

After an interrupt of the PPS2 interface the communication will only be re-established when the connected controller polls the PPS2 addresses. The duration of the corresponding cycle is:

RXA: 10 sec; RXB, RXL and RXC: 3 min; PX: 30 sec.

The following routine occurs in the room unit when the power supply is connected (via the PPS2 interface) or after a reset via the controller:

Step	Function	Description
1	LED test	The LEDs are operated in sequence for 1 s each
2	Device ready	After a delay of 1 s the device will be ready for PPS2 communication. The actual control mode is displayed after a further delay of 5 s.

Technical data

Supply voltage	Operating voltage range	DC 12...15 V (SELV) DC 12...15 V class 2 (US)	
	The room unit receives its power from the connected controller, via the PPS2 interface		
Function data	Power consumption (from controller)	Max. 0.10 VA	
	Temperature sensor		
	Measuring element	NTC resistor	
	Measuring range	0 ... 40 °C	
	Response time	≤ 8 min	
	Accuracy (5 ... 30 °C)	± 0.5 K	
	Accuracy (25 °C)	± 0.25 K	
	Setpoint correction		
	Correction range (determined by controller) max.	± 12 K (default ± 3 K)	
	Accuracy over full correction range	10 %	
Interfaces	Indication (control mode)	2 LEDs, yellow	
	Type of interface between controller and room unit	PPS2 (point-to-point interface, Version 2)	
	Baud rate	4.8 kbit/s	
Cable connections	Connection terminals (screw terminals)	Stranded or solid conductors 0.8 ... 2.5 mm ²	
	Single cable length controller – Room unit	See Installation guidelines: Desigo RXC: CA110334, Desigo RXB & RXL: CM110381 Desigo RXA: CA2Z3884 Desigo PX: CA110396	
	Cable type	2-core or 4-core, twisted pairs, unscreened	
	Connecting cable for service tool	Off-the-shelf, max. 3 m	
Protection data	Housing protection	IP 30 to EN 60529	
	Protection class	III to EN 60730-1	
Ambient conditions	IEC 721	Operation	Transport
	Ambient air conditions	Class 3K5	Class 2K3
	Temperature	0 ... 50 °C	– 25 ... 70 °C
	Humidity	< 85 %rH	< 95 %rH
	Mechanical conditions	Class 3M2	Class 2M2

Standards, directives and approvals	Product standard	EN 60730-1	Automatic electrical controls for household and similar use
	Electromagnetic compatibility (Applications)		For use in residential, commerce, light-industrial and industrial environments
	EU conformity (CE)		CA2T1741xx *)
	UL certification (US)		UL916, http://ul.com/database
	RCM-conformity (EMC)		A5W00005055 *)
Environmental compatibility	EAC conformity		Eurasia conformity
	Product environmental declaration (contains data on RoHS compliance, materials composition, packaging, environmental benefit, disposal)		A6V10736277_en--_a *)
Dimensions	See "Dimensions"		
Color	Housing front, dial		NCS S 0502-G, ≈ RAL 9003 signal white
	Housing, base unit, rocker switch		RAL 7035 light grey
Weight	Excluding packaging		0.12 kg

*) The documents can be downloaded from <http://siemens.com/bt/download>.

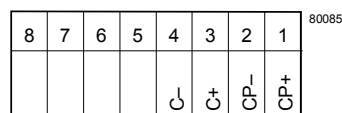
Connection terminals

The tool socket on the room unit provides access to the connected individual room controller via the commissioning and service tool or the service terminal.

The bus cable (Terminals 3 and 4) is therefore looped to the tool socket (Pins 1 and 2). The bus cable is not affected by the room unit.

For connection of a service terminal, the PPS2 interface (Terminals 1 and 2) is also connected to the tool socket.

Terminal layout



PPS2 interface, supply voltage

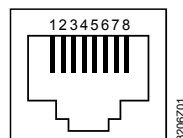
CP+	1	Device supply, Data PPS2 (pos.)
CP-	2	Device supply, Data PPS2 (neg.)

Bus connection (looped to tool socket)

C+	3	With LONWORKS® bus (Desigo RXC): CLA
C-	4	With LONWORKS® bus (Desigo RXC): CLB
	5 ... 8	Not used

Tool socket

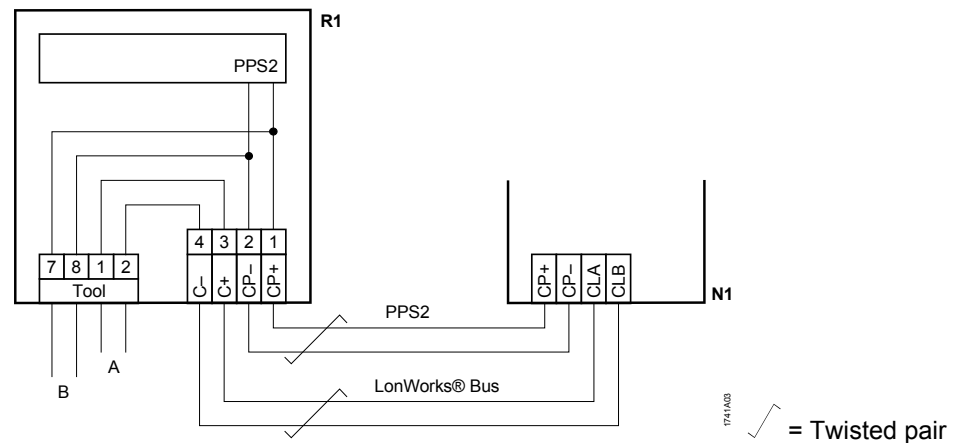
Standard type RJ45 tool socket.



		With LONWORKS® bus (Desigo RXC): CLA
		With LONWORKS® bus (Desigo RXC): CLB
		Not used
		Not used
		Not used
		Not used
CP+		Data PPS2
CP-		Data PPS2

Connection diagram (Example: RXC)

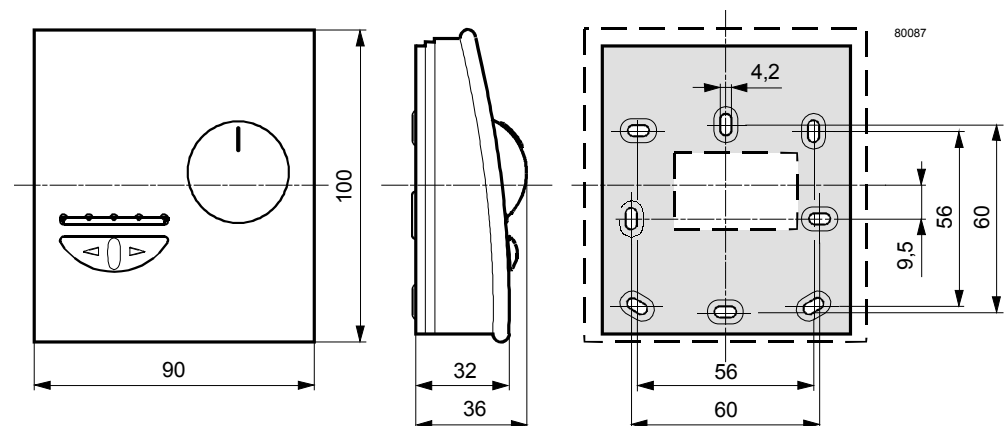
The following example shows the room unit connected to a Desigo RXC room controller:



- R1 Room unit QAX32.1
- N1 Room controller RXC...
- A Connection for RXT10 commissioning and service tool
- B Connection for service terminal with PPS2 interface

Dimensions

All dimensions in mm



Published by:
 Siemens Switzerland Ltd.
 Building Technologies Division
 International Headquarters
 Gubelstrasse 22
 6301 Zug
 Switzerland
 Tel. +41 41-724 24 24
www.siemens.com/buildingtechnologies

© Siemens Switzerland Ltd 2000
 Delivery and technical specifications subject to change