



Synco™ living

## Heating Circuit Controller

## RRV912

- RF-controlled heating circuit controller for up to 2 heating circuits
- RF communication based on KNX standard (868 MHz, bidirectional)
- Connection facility for one 3- or two 2-position actuators
- Mains-powered AC 230 V
- 2 universal relay outputs
- 1 universal input
- 1 universal output DC 0...10 V

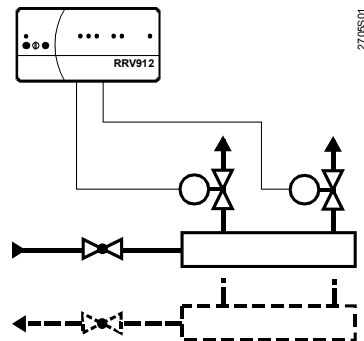
### Use

- For integration into the Siemens Synco living system
- Suited for use in heating plant:
  - With central heat distributors (e.g. underfloor heating or soft steel piping system)
  - For use with motorized radiator valves (e.g. with sill covers)
- Heating circuit control with 2- or 3-position actuators
- Universal relay outputs, e.g. for control of the apartment pump, DHW heating, or fan speeds
- Universal input, e.g. for connection of a DHW temperature sensor or an alarm
- Universal output DC 0...10 V for forwarding the heat demand signal

The RRV912 heating circuit controller is designed for use with the Siemens Synco living system. For more detailed information about equipment combinations, refer to the Data Sheet covering the central apartment unit (CE1N2707en).

The RRV912 can be used in connection with the following types of actuators from Siemens, depending on the application:

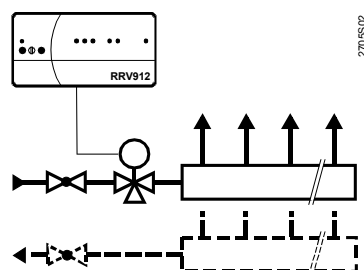
**Heat distributor with individual room control**



Type of actuator	STA21	STP21	SSA31*
	Thermal	Thermal	Electromotoric
Data Sheet no.	N4877	N4878	N4893
Normal state	NC	NO	Depending on Y1/Y2
Type of valve	Depending on the type of heat distributor, connection M30 x 1.5 mm		

\* Only one heating circuit possible

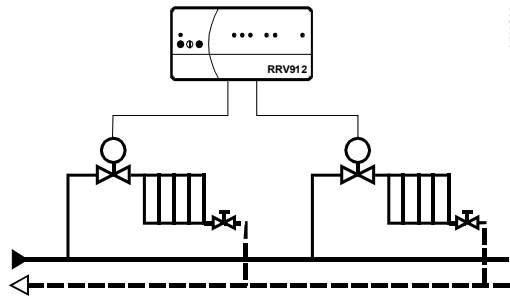
**Heat distributor with zone control**



Type of actuator	SSP31*	SSB31*
	Electromotoric	Electromotoric
Data Sheet no.	N4864	N4891
Normal state	Depending on Y1/Y2	Depending on Y1/Y2
Type of valve	VVP47... VXP47... VMP47...	VVP45... VXP45... VMP45...

\* Only one heating circuit possible

**Radiators**



27058103

Type of actuator	STA21	STP21	SSA31*
	Thermal	Thermal	Electromotoric
Data Sheet no.	N4877	N4878	N4893
Normal state	NC	NO	Depending on Y1/Y2
Type of valve	VDN..., VEN..., VUN..., VPD..., VPE...		

\* Only one heating circuit possible

Also refer to Data Sheet CE1N2100en covering small valves, actuators and accessories.

## Ordering

When ordering, please give quantity, product name and type reference.

## Scope of delivery

The RRV912 is supplied complete with Mounting Instructions.

## Product documentation

The Operating and Commissioning Instructions for the RRV912 are contained in the product documentation of the central apartment unit.

## Functions

### Main function

In operation, the RRV912 maintains the required room temperature of the individual heating circuits. The central apartment unit delivers the relevant data via RF.

### Universal relay outputs

The universal relay outputs can be used to control different types of devices. Release is controlled via the central apartment unit and delivered via RF.<sup>1</sup>

### Universal input

The universal input is used for connection of the DHW temperature sensor, for example. The data are forwarded to the central apartment unit via RF.<sup>1</sup>

### Universal output DC 0...10 V

The RRV912 converts percentage-scaled signals from the central apartment unit (e.g. heat demand) to analog DC 0...10 V signals.<sup>1</sup>

### Parallel operation

<sup>1</sup> For detailed information about assignment options for the inputs and outputs, refer to the Synco living Mounting and Commissioning Instructions (CE1C2707en).

Several heating circuits can be assigned to one room and, therefore, operated in parallel. In that case, the first heating circuit ensures the actual room control and, at the same time, controls the other assigned heating circuits.

**Antilime function**

The antilime function is triggered by the central apartment unit. When receiving an antilime command, the heating circuit valve will be fully opened and then closed again. When the antilime function is completed, the valve will return to the previous control position.

**Summer operation**

Summer operation is triggered by the central apartment unit. When receiving a command to start summer operation, the heating circuit valve will be opened or closed, depending on the position predefined by the central apartment unit. If the antilime function is activated in summer operation, it will be performed. When completed, the control loops will resume summer operation.

**Window airing function**

The window airing function is triggered by the central apartment unit. The function interferes in the control process in a way that overheating of the room will be avoided both during and after the window airing time.

**Frost protection for the room**

Frost protection for the room becomes active if the room temperature drops below the frost protection setpoint. It remains active until the room temperature returns to a level 1 K above the frost protection setpoint.

**Binding**

The binding of the first selected channel is used by the RRV912 to sign on at the central apartment unit, thus ensuring integration into the RF system. Then, the other channels can be assigned to other rooms or function groups. The binding process is triggered via the multifunction button and indicated by the multifunction LED.

**State query**

The multifunction button can be used to query the state of the configured control channels. The state is indicated by the multifunction LED.

**RF binding test**

The multifunction button can be used to trigger a binding test per channel. The test is made to check the radio link to the central apartment unit. The RF binding test is indicated by the multifunction LED.

**Resetting a channel**

The multifunction button can be used to reset a configured channel to its supply state. Then, the channel must be reconfigured. The state is indicated by the multifunction LED.

**Supply state**

The multifunction button can be used to reset the RRV912 to its supply state. Then, the RRV912 must be reintegrated into the system.

**RF failure**

If radio transmission between the RRV912 and the central apartment unit breaks down, control is no longer ensured. The heating circuit valves will open. When radio transmission is reestablished, the RRV912 will return to control mode.

**Mains failure**

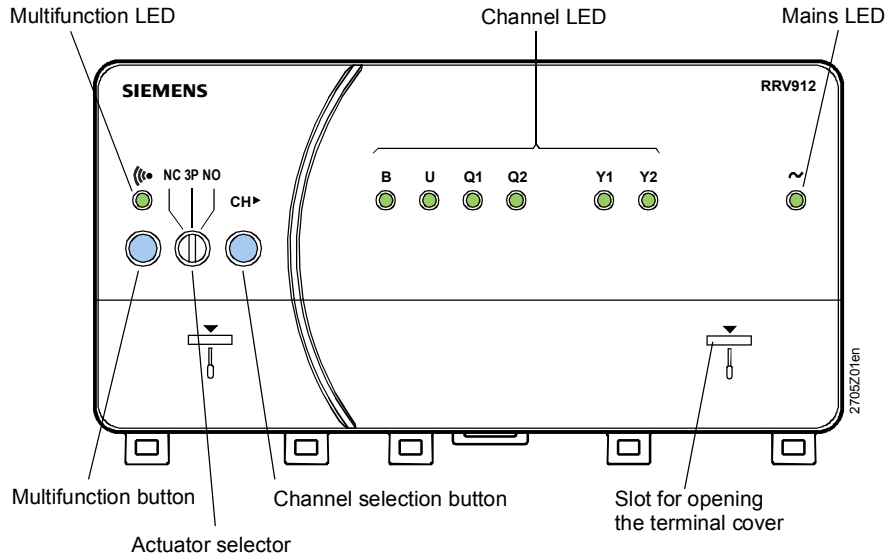
In the event power supply to the RRV912 is interrupted, control is no longer ensured. The positions of the individual actuators can only be changed manually on the actuators themselves. When mains supply is restored, the RRV912 will return to control mode.

**Error messages**

The following error messages are delivered by the RRV912:

Error messages
Communication error (no communication for one hour)

## Operating and indicating elements



### Function of operating elements

Operating elements	Function
Multifunction button	State query of channel configuration RF binding test Binding Disconnection of channels from the system Restoration of supply state
Actuator selector	Selection of the type of actuator
Channel selection button	Channel selection

### Function of indicating elements

Indicating element	Function
Multifunction LED	Indication of channel configuration RF binding test Binding process Disconnection of channel from the system
Channel LED's: B U Q1, Q2 Y1 / Y2	Indication of channel configuration / status indication: Universal input Universal output Universal relay outputs Controller outputs
Mains LED	Power supply

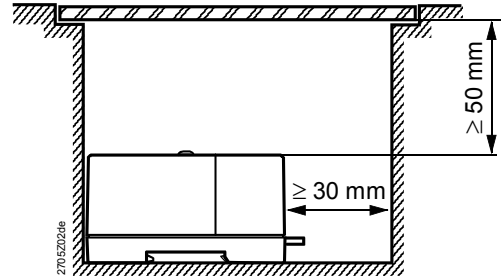
For more detailed information about the functions and operation of the RRV912, refer to the product documentation covering the central apartment unit.

## Notes on engineering and operation

---

### Mounting location

- Due to its compact design, the RRV912 can be fitted directly in the heat distribution panel\*, on the ceiling in the cellar, or in the cable riser
- The permissible environmental conditions must be observed
- The RRV912 must not be exposed to dripping water.
- For notes relating to engineering and mounting RF devices of the Siemens Synco living system, refer to Data Sheet CE1N2708en
- When mounting the RRV912, ensure that there is sufficient space by the connection terminals to introduce the cable ( $\geq 30$  mm)
- At the top of the unit, a minimum clearance of 50 mm must be observed to ensure that the operating elements can be accessed and that the terminal cover can be easily opened



\* Plastic covers are used in place of metal covers to support radio communication

### Installation

The RRV912 is designed for:

- Mounting on top hat rails conforming to EN 60715-TH35-7,5
- Fitting with the help of 2 fixing screws

Note Prior to applying power, connect all heating circuits and the inputs and outputs.

### Commissioning

Prior to commissioning, check to ensure that the RRV912 is correctly mounted, that all wiring is correctly made, and that power is switched on.

### Maintenance

The RRV912 is maintenance-free.

### Disposal



The devices are considered electronics devices for disposal in terms of European Directive 2012/19/EU and may not be disposed of as domestic garbage.


- Dispose of the devices through channels provided for this purpose.
- Comply with all local and currently applicable laws and regulations.

### Warranty

---

Technical data on specific applications are valid only together with Siemens products listed under "Equipment combinations". Siemens rejects any and all warranties in the event that third-party products are used.

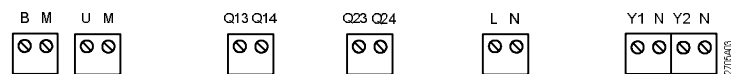
## Technical data

Power supply	Operating voltage	AC 230V ( $\pm 10\%$ )
	Frequency	50 Hz
	Power consumption (with no external load)	max. 7 VA
	Fusing of supply line	Slow-blow fuse max. 10 A or Circuit breaker max. 13 A Characteristic B, C, D according to EN 60898
RF	Frequency	868 MHz (bidirectional)
	Range	typically 30 m inside buildings
	Protocol	KNX RF-compatible 
Universal input	Type	LG-Ni 1000 resistor, (on / off)
	Quantity	1
	Measuring range	0...120 °C
Permissible cable length to sensor or external contact	Copper cable 0.6 mm dia.	max. 20 m
	Copper cable 1 mm <sup>2</sup>	max. 80 m
	Copper cable 1.5 mm <sup>2</sup>	max. 120 m
Universal relay output	Type	NO contact AC 24...230 V, AC 0.02...2 (2) A
	Quantity	2
Universal output	Type	DC 0...10 V, max. DC 1 mA
	Quantity	1
Controller output	Type	Triac AC 230 V, AC 5...30 mA
	Switch-on current	max. 60 mA $\leq 2$ s; max. 250 mA $\leq 0.5$ s
	Number of outputs	2
	Number of actuators	max. 2 per output and max. 4 per RRV912
	Permissible cable length	max. 10 m
Electrical connections	Screw terminals for	max. 2.5 mm <sup>2</sup>
Type of controller	2-position	PID
	3-position	PID
Standards, directives and approvals	Product standard	EN 60730-1 Automatic electrical controls for household and similar use
	Electromagnetic compatibility (Applications)	For use in residential, commercial, light- industrial and industrial environments
	EU conformity (CE)	CE1T2705xx *)
	EAC conformity	Eurasia conformity
Protection	Safety class	II to EN 60730
	Housing	IP30 to EN 60529
	Degree of pollution	2 to EN 60 730
Environmental compatibility	Product environmental declaration (contains data on RoHS compliance, materials composition, packaging, environmental benefit, disposal)	CE1E2705en *)
	*) The documents can be downloaded from <a href="http://siemens.com/bt/download">http://siemens.com/bt/download</a> .	

Dimensions	refer to "Dimensions"	
Weight	Unit complete with accessories	0.455 kg
Housing material	plastic PC+ABS	
Housing color	Upper / lower housing section	RAL 7035 light-grey / RAL 5014 dove-blue

Environmental conditions	operation	transport	storage
	IEC 60721-3-3	EN 60721-3-2	EN 60721-3-1
Climatic conditions	class 3K5	class 2K3	class 1K3
Temperature	0...+50 °C	-25...+70 °C	-20...+65 °C
Humidity	5...95 % r.h. (noncondensing)	<95 % r.h.	5...95 % r.h.
Mechanical conditions	class 3M2	class 2M2	class 1M2
Elevation above sea level	min. 700 hPa, corresponding to max. 3000 m above sea level		

## Connection terminals



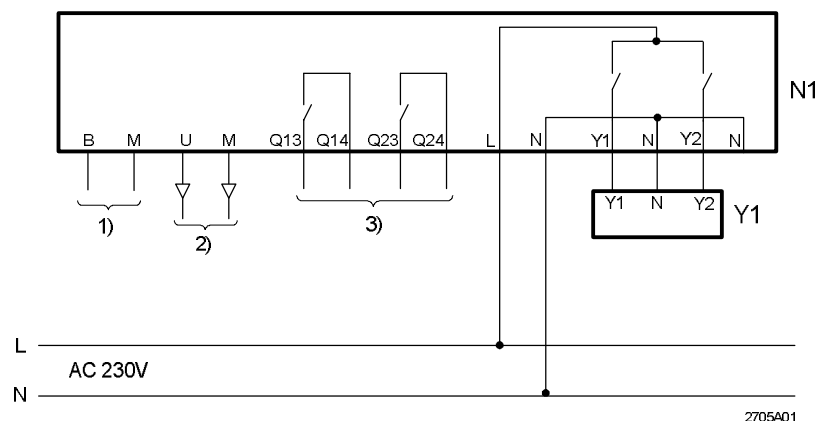
## Legend

L	Operating voltage, live wire AC 230 V
N	Operating voltage, neutral conductor AC 230 V
B	Universal input
M	Ground for universal input
U	Universal output DC 0...10 V
M	Ground for universal output
Q13, Q14	Universal relay output for AC 24...230 V (relay 1)
Q23, Q24	Universal relay output for AC 24...230 V (relay 2)
Y1	Output controller 1, AC 230 V
Y2	Output controller 2, AC 230 V
N	Neutral conductor for controller output

Note: With controller outputs Y1 and Y2, the live wire (L) is switched. The neutral conductor is internally connected. The relay outputs are potential-free.

## Connection diagram

### 3-position control

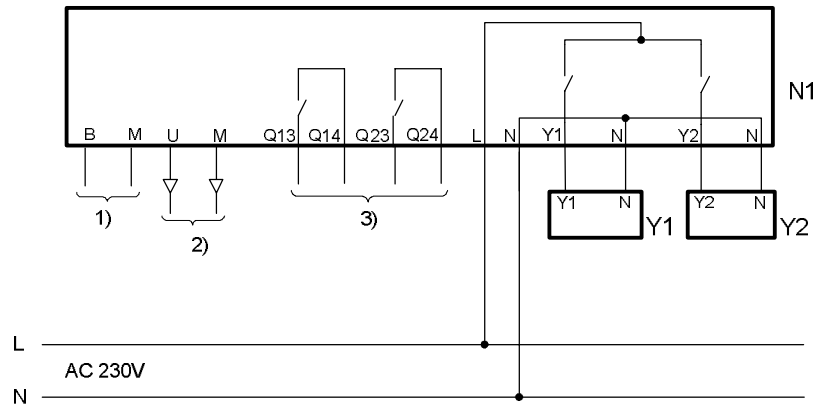


## Legend

N1	Heating circuit controller RRV912
Y1	Actuator (electromotoric valve actuator)
1)	Universal input, can be used for temperature acquisition / digital input
2)	Universal output DC 0...10 V
3)	Universal potential-free relay output, can be used for mains or low-voltage



## 2-position control

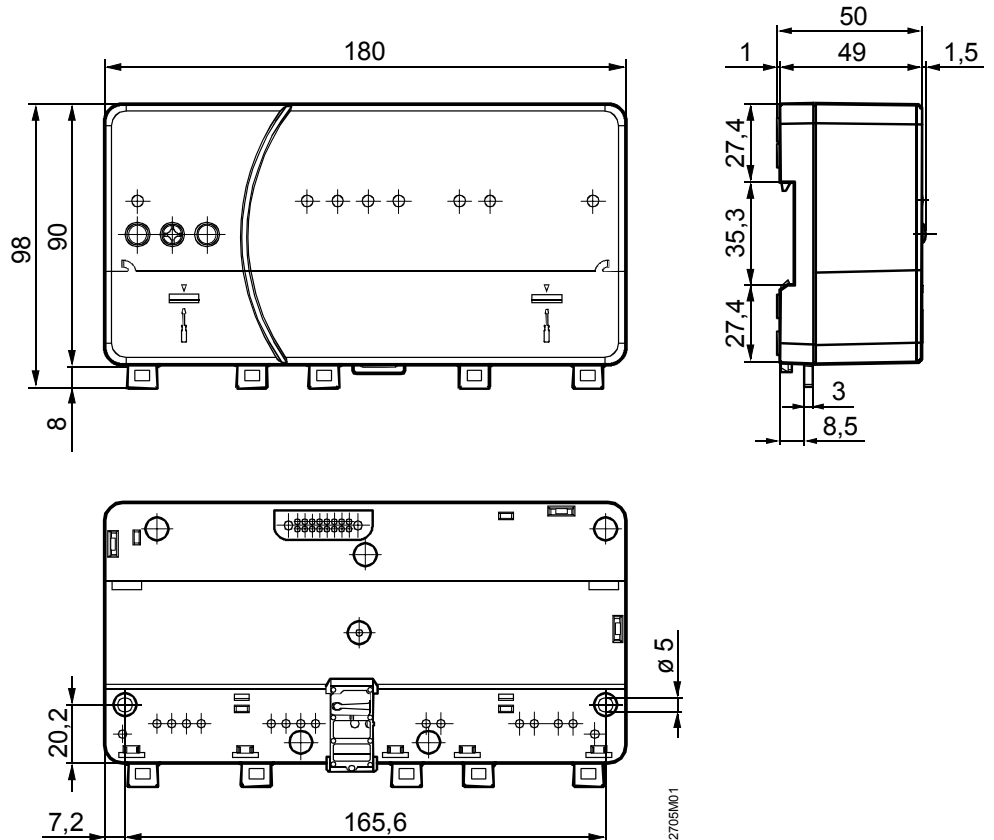


### Legend

- N1 Heating circuit controller RRV912
- Y1 / Y2 Actuator (thermal valve actuator)
- 1) Universal input, can be used for temperature acquisition
- 2) Universal output DC 0...10 V
- 3) Universal potential-free relay output, can be used for mains or low-voltage

### Dimensions

Dimensions in mm



Published by:  
Siemens Switzerland Ltd.  
Building Technologies Division  
International Headquarters  
Gubelstrasse 22  
6301 Zug  
Switzerland  
Tel. +41 41-724 24 24  
[www.siemens.com/buildingtechnologies](http://www.siemens.com/buildingtechnologies)

© Siemens Switzerland Ltd 2006  
Delivery and technical specifications subject to change