

# SIEMENS



## MT320C

Synova™

## Manual call point

CE

For conventional detector line SynoLINE300

- 
- Manual call point for all fire detection system control units with conventional evaluation
  - Manual call point with direct operation
  - Two-wire installation

**Building Technologies**

Fire Safety & Security Products

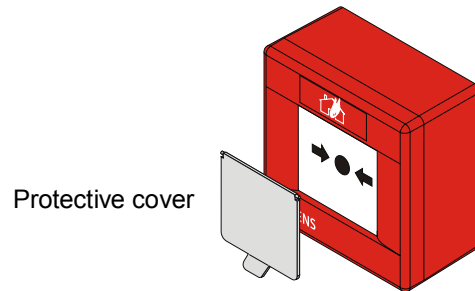
## Characteristics

---

- **Environmental**
  - Ecologically processing
  - Recyclable materials
  - Electronic and synthetic material simple separable
- **Characteristics**
  - Protected electronic

## Manual call point

---



- **Function**
  - Direct alarm actuation by pushing in the glass plate
  - By replacing the glass plate the push button is set back and the device is ready for operation again.
  - An additional protective cover FDMC291 protects the manual call point from unintentional glass break
- **Application**
  - For the immediate manual actuation of a fire alarm or an extinguishing process
  - For indoor and outdoor application
  - For surface- and recess-mounted feed lines in easily accessible places

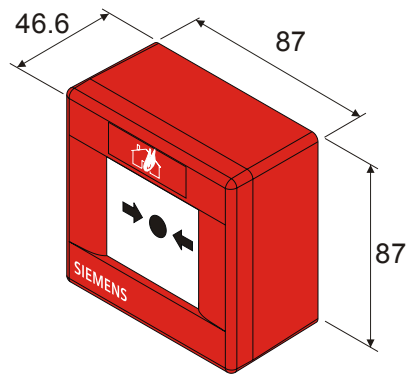
## Installation

---

- For recess mounted feed lines, break out the break-out point in the housing bottom
- For surface-mounted feed lines, a hole must be drilled into the top or bottom of the detector housing (marking), use at max. cable gland M20

## Dimensions

---



## Technical data

---

Supply voltage	16... 28 VDC
Max. current, permanent	60 mA
Max. pulsed current	100 mA
Terminal block	0.28... 1.5 mm <sup>2</sup>
Operating temperature	-25... +70 °C
Storage temperature	-30 ... +75 °C
Humidity	≤95 % rel.
Protection category EN60529 / IEC529	IP44
Color	red, ~RAL 3000 blue, ~RAL 5005 yellow, ~RAL 1023 green, ~RAL 6024
Standards	EN 54-11, BS5839-2
System compatibility	Compatible with all fire control panels which support the SynoLINE300 specification, e.g. FC330C. A list of compatible equipment is available from your local sales organizations.

## Details for ordering

	Type	Part no	Designation	Weight
MT320C	FDMH291-R	A5Q00002217	Housing red, with key	0.089 kg
	FDMH291-Y	A5Q00004979	Housing yellow, with key	0.089 kg
	FDMH291-B	A5Q00004980	Housing blue, with key	0.089 kg
	FDMH291-G	A5Q00004981	Housing green, with key	0.089 kg
Accessories	MTE320C	A5Q00005577	Switching unit	0.045 kg
	FDMC291	A5Q00001644	Protective cover	0.006 kg
	–	A5Q00004478	Metal screwed cable gland M20 x 1.5	0.039 kg
Spare parts	–	A5Q00004479	Back nut M20	0.006 kg
	FDMG291	A5Q00002122	Glass	0.006 kg
	FDMK291	A5Q00001643	Key with cover	0.030 kg

Siemens Switzerland Ltd  
Building Technologies Division  
International Headquarters  
Fire Safety & Security Products  
Gubelstrasse 22  
CH-6301 Zug  
Tel. +41 41 724 24 24  
Fax +41 41 724 35 22  
[www.siemens.com/buildingtechnologies](http://www.siemens.com/buildingtechnologies)

© 2017 Copyright by  
Siemens Switzerland Ltd

Data and design subject to change without notice.  
Supply subject to availability.