



DB110xA, DB1131A, SO620A,  
DB1151A

AlgoRex  
Synova™

## Detector bases and accessories

interactive, AnalogPLUS/SynoLOOP, collective/SynoLINE600

- Base made of impact and scratch-proof plastic
- Screw less terminals
- Completely covered by detector
- Integral rubber gasket to protect against draught, dirt and water from above
- Detector protected against vibration
- For mounting on recess box direct
- Range of accessories for surface wiring, installation in damp environment, protection against theft, inscription, etc.
- Models for interactive, AnalogPLUS/SynoLOOP und collective/SynoLINE600 fire detectors

## Characteristics

---

- **Environmental**

- halogen-free plastic material identifiable through embossed code
- easy to uninstall and disassemble

- **Characteristics**

- integral rubber gasket to protect against draught, dirt and dripping water from above
- screw less terminals
- place for auxiliary terminals, for the connection of 2 alarm indicators, cable screening or the connection of a detector heating unit

## Detector base

---

- **DB110xA**

- for collective/SynoLINE600 fire detectors
- holder for connection terminals are 'white', wire cross section 0.2... 2.5 mm<sup>2</sup>

- **DB1131A**

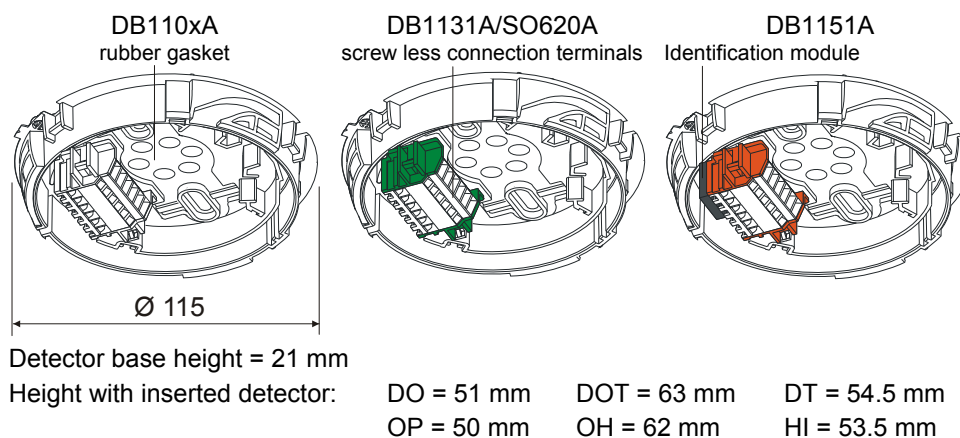
- for AnalogPLUS fire detectors
- holder for connection terminals are 'green', wire cross section 0.2... 2.5 mm<sup>2</sup>

- **SO620A**

- for Synova 600 fire detectors
- holder for connection terminals are 'green', wire cross section 0.2... 2.5 mm<sup>2</sup>

- **DB1151A**

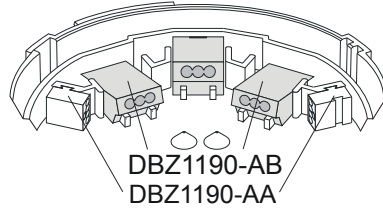
- for interactive fire detectors
- holder for connection terminals are 'orange', wire cross section 0.2... 2.5 mm<sup>2</sup>
- This base contains an identification module with factory-programmed number to store the location. When exchanging the detector, thanks to this module, the new detector is automatically correctly programmed.



## Micro terminals, Auxiliary terminals

---

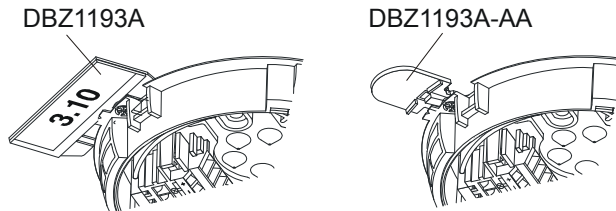
- **DBZ1190-AA**
  - for conductors of max. 0.5 mm<sup>2</sup>
- **DBZ1190-AB**
  - for conductors of max. 2.5 mm<sup>2</sup>
  - for the connection of 2 alarm indicators or cable screening



## Designation plate, Detector marking

---

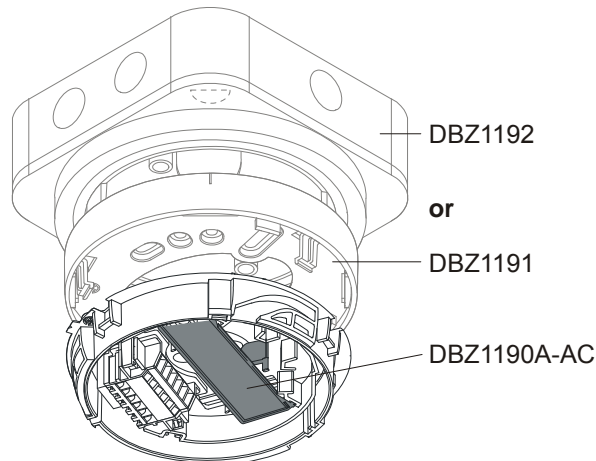
- **DBZ1193A**
  - to identify the location address
- **DBZ1193A-AA**
  - to indicate location of detector with separator



## Detector heating

---

- **DBZ1190A-AC**
  - **not permissible for explosion hazard application**
  - for the operation of the fire detectors in critical environments, danger of frost formation or moisture condensation, e.g. in cold storage houses, attics, loading ramps, cheese storage cellars, etc.
  - optimum function of the detector heating is only ensured with the base attachment DBZ1191 or DBZ1192
  - the temperature of the detector is increased by approx. 2° in relation to the ambient temperature, so that moisture condensation is prevented
  - it is clipped in the base

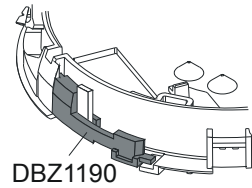


## Detector locking device

---

- **DBZ1190**

- to protect the detector against theft

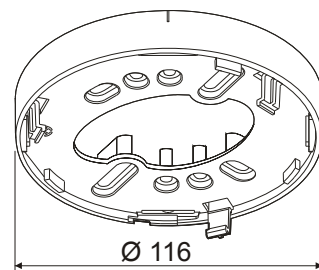


## Base attachment

---

- **DBZ1191**

- for feeding in surface wiring and to provide more wire loop space
- base is mounted using a spring-loaded catch



Detector base height = 22 mm

Height with inserted detector:

DO = 72 mm

DOT = 84 mm

DT = 75.5 mm

OP = 71 mm

OH = 83 mm

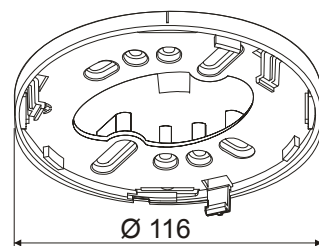
HI = 74.5 mm

## Base attachment flat

---

- **DBZ1191A-AA**

- for surface-mounted applications with cables up to Ø6 mm and to use existing mounting holes of MS7/MS9 bases
- base is mounted using a spring-loaded catch



Detector base height = 11 mm

Height with inserted detector:

DO = 61 mm

DOT = 73 mm

DT = 64.5 mm

Height with inserted detector:

OP = 60 mm

OH = 72 mm

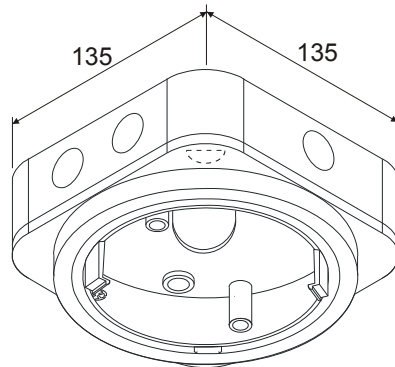
HI = 63.5 mm

## Base attachment damp

---

- **DBZ1192**

- for installation in damp environments
- when the detector heating unit is used
- base is mounted using a spring-loaded catch



Detector base height = 58 mm

Height with inserted detector: DO = 107.5 mm DOT = 119.5 mm DT = 111 mm

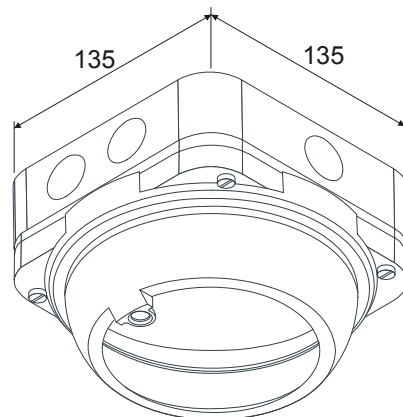
Height with inserted detector: OP = 106.5 mm OH = 118.5 mm HI = 110 mm

## Base attachment wet

---

- **DBZ1192-AA**

- with cover for installation in wet environments
- for DT/Hi heat detectors only
- base is mounted using a spring-loaded catch



Detector base height = 92 mm

Height with inserted detector: DT = 111 mm

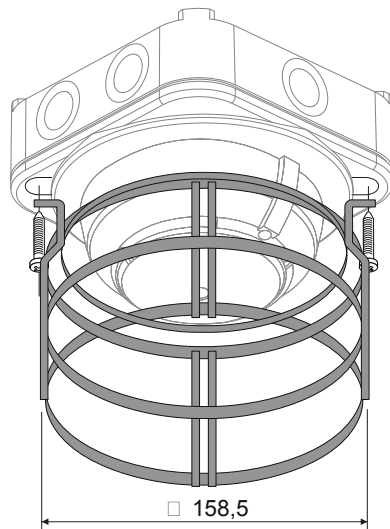
Height with inserted detector: HI = 110 mm

## Protective cage

---

- **DBZ1194**

- for the protection of the detector against damage
- can only be used together with the base attachment damp DBZ1192



Detector base height with inserted protective cage = 145 mm

## Technical data

---

Detector base	Conductor cross section	
	- Terminals in the base	0.2... 2.5 mm <sup>2</sup>
	- Connecting terminals	1... 2.5 mm <sup>2</sup>
	- Micro terminals	0.28... 0.5 mm <sup>2</sup>
	Operating temperature	
	Storage temperature	according to data sheet detectors
	Humidity	
	Protection category EN60529 / IEC529	
	- with detector	IP44
	- with base attachment DBZ1192-AA and DT/HI	IP55
Color	white, ~RAL 9010	
Detector heating DBZ1190-AC	Operating voltage (normal operation)	20... 30 VDC
	Operating current	35... 55 mA
	Power	typ. 1.2 W
	Resistor	580 Ω ±5 %
	Operating temperature	-30... +40 °C
	Humidity	≤95 % rel.

## Details for ordering

	Type	Part no	Designation	Weight
Base	DB1101A	BPZ:4863650001	Detector base collective/SynoLINE600	0.053 kg
	DB1102A	BPZ:5348510001	Detector base collective (special UK)	0.062 kg
	DB1131A	BPZ:4789750001	Detector base AnalogPLUS	0.060 kg
	SO620A	BPZ:4860800001	Detector base SynoLOOP	0.060 kg
	DB1151A	BPZ:4863780001	Detector base interactive	0.061 kg
Accessories	DBZ1190-AA	BPZ:4677080001	Micro terminal 0.28... 0.5 mm <sup>2</sup>	0.001 kg
	DBZ1190-AB	BPZ:4942340001	Connecting terminal 1... 2.5 mm <sup>2</sup>	0.007 kg
	DBZ1193A	BPZ:4864330001	Designation plate (10 pcs)	0.086 kg
	DBZ1193A-AA	BPZ:5009820001	Detector marking (10 pcs)	0.016 kg
	DBZ1190A-AC	BPZ:5167850001	Detector heating incl. micro terminals DBZ1190-AA	0.035 kg
	DBZ1190	BPZ:4585260001	Detector locking device	0.008 kg
	DBZ1191	BPZ:4540830001	Base attachment for surface	0.040 kg
	DBZ1191A-AA	BPZ:5011270001	Base attachment flat for surface	0.022 kg
	DBZ1192	BPZ:4588140001	Base attachment damp	0.265 kg
	DBZ1192-AA	BPZ:5355590001	Base attachment wet	0.449 kg
	DBZ1194	BPZ:4677110001	Protective cage	0.133 kg