



Desigo™ PX

## Operator unit

BACnet auf Ethernet/IP

## PXM20-E

**Network-compatible operator unit for viewing and operating one or more Desigo PX automation stations.**

- Display with adjustable contrast
- Energy saving LED backlight (series B and later)
- Simple key operation with direct access to the required plant information
- Generic operation and display of plant functions (alarm handling, time schedulers, calendars, setpoint adjustments, display of current values, etc.)
- Integrated acoustic and/or visual collective alarm
- Graphic online-trend function
- Support of integrated access protection in the overall Desigo system
- Facility to add or delete new users
- Automatic logout
- Heating curve graphics
- System date and time setting
- Context-sensitive help function
- Installation in modular automation station PXC..-U or remote
- 10/100 Mbps RJ45 Ethernet connection with built-in autosensing
- Supports POE (Power Over Ethernet) operating voltage to IEE 802.3af

## Application

The PXM20-E operator unit ensures the convenient display and operation of Desigo PX automation stations via BACnet network communication. The graphics-based display with clear text and direct access via the keyboard ensure a most user-friendly operation.

## Functions

All values visible in the system can be displayed in accordance with the defined operator profile. Typical displays:

- Display of current values
- Setpoint and parameter settings
- Maintenance and error messages
- Alarm lists and single alarm messages with acknowledgement option and/or reset
- Time schedulers (7-day schedules and exception programs)
- Plant switching
- Login and password inputs

An integrated collective alarm message system with acoustic and visual indication is provided.

## Operating concept

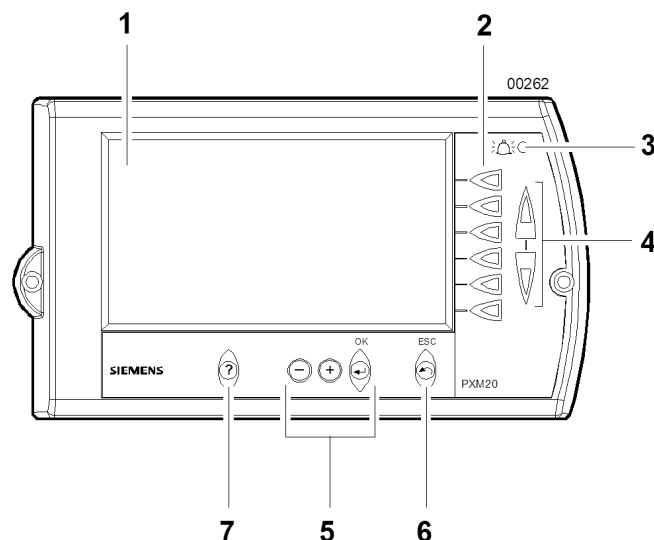
As the PXM20-E operator unit is designed for end-user operation the operating concept concentrates on the simplest and clearest possible display following intuitive operating principles rather than displaying as many values as possible.

- Any text is displayed as clear text in the chosen language.
- To ensure a clear orientation for any operator the two top display lines (header lines) always show which building services system or which function is currently in operation.
- The basic concept of the operation ensures that it is always possible to select direct, with the click of a button on the keyboard, the plant information shown on the relevant line (*direct access keys*).
- Any settings or modifications (for example in graphics) can be followed direct on the display (e.g. graphics display for scheduler).
- The basic concept also ensures that all information and help functions can be called up any time (info key).

## User's guide

The functions of the PXM20-E are described in detail in the User's guide, PXM20/PXM20-E operator unit, document CM110754.

## Indicators and operator controls



1. Display
2. Navigation keys (*direct access* keys and *PageUp/PageDown* keys):  
The *direct access* keys allow direct access to the relevant line. Possible functions:
  - Select value and start the value adjustment
  - Confirm new value
  - Start function
  - Open item
3. Alarm LED: The alarm LED lights up or flashes if an alarm is present in the system.
4. The *PageUp* and *PageDown* keys are provided for page scrolling if a page contains more values than can be shown on the display at the same time.
5. Edit keys: These keys allow the selected values to be modified (<+> and <->) and confirmed (<↓>).
6. ESC key (*Undo* and *GoUp*): When editing a value the editing process can be cancelled by using the *Undo* key (previous value will be displayed again). Otherwise the *GoUp* key selects the hierarchically higher object.  
This key is placed between the two blocks containing the navigation and editing keys because, according to its function, it belongs to both.
7. <?> Info key: This key selects the information mode for the next keyboard click.

## Generic operation and display

Depending on to the application program each menu tree is different. Navigation through the menu tree is based on the "ClickDown" procedure using the navigation keys.

## Alarms and events

If the PXM20-E receives an alarm or an event appears on the display a pop-up window appears with the relevant information.

## Visual and acoustic alarm

When an alarm is present the alarm LED flashes and changes to steady light when all alarms have been acknowledged. The acoustic alarm is provided as an option and can be activated optionally when an alarm is triggered.

## Alarm Viewer

Alarms are written into the Alarm Viewer with a symbol, a description and a time/date stamp in chronological order. An acknowledgement mask to acknowledge alarms can be called up in the Alarm Viewer. After acknowledgement the alarm entry disappears from the Alarm Viewer; however, it will continue to be saved in the history list. Further details can be viewed in the alarm history (e.g. out of service, overridden, dead band, present value, etc.)

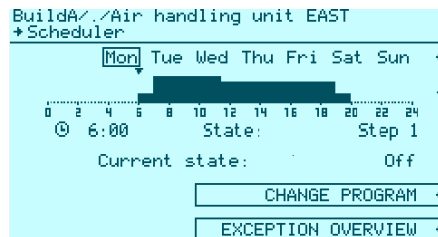
The PXM20-E history can contain max. 50 entries; the older ones are deleted.

## Scheduler

The Scheduler allows the user a time-dependent switch on/off and the programming of time-dependent setpoint adjustments.

The Scheduler consists of a 7-day schedule and an exception program.

## 7-day schedule



With the help of the navigation and editing keys it is very simple to create, modify, delete or copy a 7-day schedule in this mask. For each day an individual "road map" is programmed.

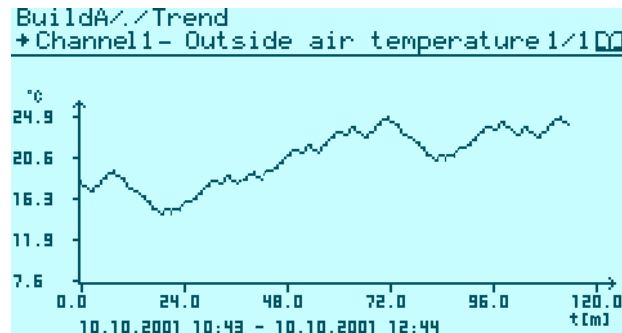
## Exception programs



If the field *EXCEPTION OVERVIEW* is clicked in the *7-day schedule* (see above) the current monthly overview appears and shows as inverted all the days which are affected by an exception. All other months can be called up as overview by using the top *direct access* key.

In the exception program, too, the exceptions are created, modified or deleted by using the navigation and editing keys. It is possible to define exception days (e.g. a bank holiday) as well as exception periods (e.g. holiday periods). Click the *EXCEPTIONS* field to display a list of all programmed exceptions.

## Online trend



The PXM20-E operator unit provides the user with five channels for trend logging, enabling 5 data points to be logged.

There are three separate ways of viewing the trend data:

- Graphical view: In this view all the values of a trend data point stored in PXM20-E will be displayed graphically
- Online graphical view: In the online view the values will be displayed in a graphical and dynamic manner, i.e. in real time.
- List: In place of a graphic view, the values can be displayed in list form

## Info concept

Press the info key to switch to info mode. In this info mode two different kinds of information can be called up:

- Pressing the info key a second time displays general information for the currently displayed object (e.g. complete path, clear text of object).
- Pressing a *direct access* key in info mode displays information for the object or value on the selected line.

Exit the info mode by pressing any key.

## Access protection

- Login by entering password with string editor
- Display and operation in accordance with user privileges
- Definition of user privileges during engineering of Desigo PX configurations
- Login always referenced to a site
- Alarms
  - Alarm display depends on user privilege
  - Alarm handling in accordance with user privileges
- Logout

## Auto logout and sleep mode

If no operator activities are carried out within a set period the device switches off automatically and the display is turned off.

Pressing any key activates the device automatically again and the background lighting of the display is switched on.

## Language versions

When the operator unit is delivered the language is set to English. The language setting can be changed internally.

## Ordering

---

### 1 PXM20-E operator unit

## Compatibility

---

Device	Type	Data sheet
Modular automation stations	PXC...-U	9221
Compact automation stations	PXC...E-D	N9215
Modular automation stations	PXC...E-D	N9222

## Accessories

---

Description	Type
Connection cable (CAT5), length 3.0 m (order separately)	PXA-C1
Adapter RS232 – RJ45 to connect a PXA-C1 to a PC (order separately)	PXA-C2
Adapter on PXM20-E for firmware download (order separately)	PXA-C4
Mounting frame for mounting on the wall or on the control panel door (order separately)	PXA-H1

## Design

---

The PXM20-E operator unit is contained in a robust plastic housing, ideally suited for its many different mounting methods.

All indicators and controls are mounted on the front cover of the unit (see page 2).

The connections for the automation stations are incorporated on the back of the unit (see page 7).

## Mounting instructions

---

The PXM20-E is suitable for control panel front mounting or vertical panels (e.g. remote operating panels or similar units). The unit is also suitable for DIN rail snap-mounting. In addition, the PXM20-E can be mounted direct on any modular automation station. The required Ethernet network connection is an anti-kink cable which can be introduced through an aperture in the modular automation station.

## Commissioning

---

### Wiring test

- The device only supports I/Os that are not configurable, i.e. dedicated I/Os on compact automation stations and I/Os on PTM modules. No support of UIs and I/Os on TX-I/O modules.
- **Therefore the preferred method for wiring test is the Point Test Tool.**

### Switchless commissioning

Commissioning before programming:

The wiring test supports the reading of all I/Os of compact automation stations, and modular – as long as the modules have an address key. In addition the wiring test supports writing to all outputs. This means you can switch on fans, pumps, lamps etc., or drive valves to a defined position.

The outputs keep their state as long as the automation station is powered.

### Firmware download

It is possible to download firmware via FTP.

## Disposal



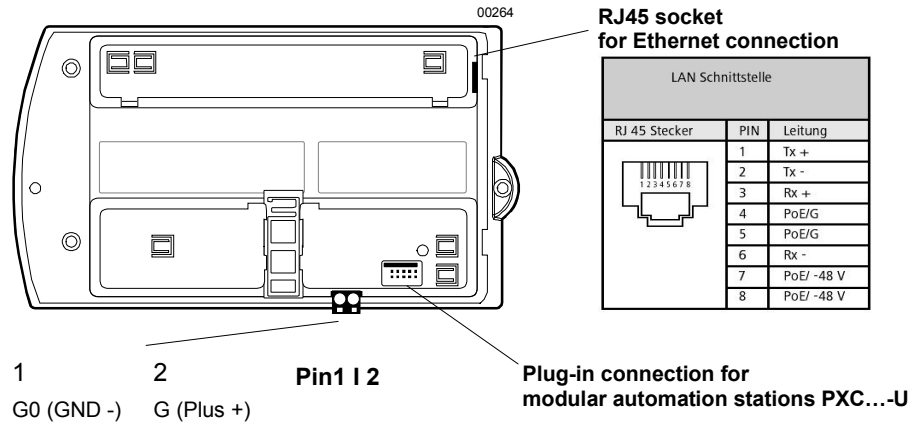
The device is classified as waste electronic equipment in terms of the European Directive 2012/19/EU (WEEE) and should not be disposed of as unsorted municipal waste. The relevant national legal rules are to be adhered to. Regarding disposal, use the systems setup for collecting electronic waste. Observe all local and applicable laws.

## Technical data

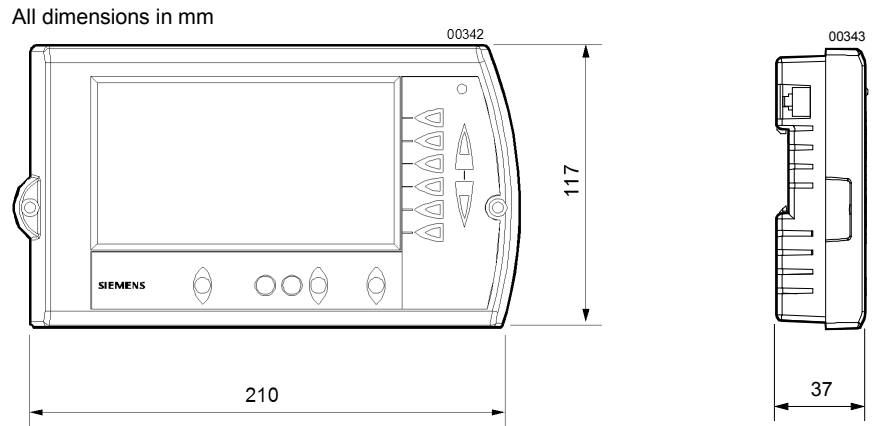
General device data	Operating voltage for 2-pin connector	AC 24 V $\pm$ 20 % or DC min. 12 V ... max. 40 V	
	Operating voltage when plugged into modular automation station	AC 24 V $\pm$ 20 %, derived automatically from modular automation station	
	Electrical voltage via Ethernet connection	Power Over Ethernet (POE) to IEEE 802.3af	
	Safety extra low voltage SELV Protective extra low voltage PELV Frequency	HD 384 50/60 Hz	
Power consumption	Series B and later	Series A	
	AC 24 V DC 12	max. 7 VA max. 3.5 W max. 12 VA max. 5 W	
Internal fuse	Thermal, self-resetting		
Operating data	Main processor	Freescale PowerPC	
	Data backup in case of power failure Applications, parameter (FLASH)	> 10 years	
Keyboard	Type	Keyboard with plastic membrane and pressure point	
	Key area	7 x 7 mm	
	Switching pressure	2.1 N	
	Travel	0.6 ... 0.7 mm	
	Operating life	> 1 million operations	
	Material, front membrane	Polycarbonate	
	Material, contacts	Conductive silver, snap-on discs gold-plated	
Display	Mechanical		
	LCD display	F-STN, Black & White	
	Display area	123 x 68 mm	
	No. of dots	240 x 128 dots	
	Dot size	0.47 x 0.47 mm	
	Dot area	0.50 x 0.50 mm	
	Optical		
	Contrast ratio	20: 1	
	Viewing angle	$\pm$ 40°	
	Viewing direction	6 o'clock	
	Background lighting	Series B and later	Series A
		Type Brightness Rise time lamp Life span Lamp	LED 150 cd/m <sup>2</sup> 0 s 50'000 hrs. = 50 % Brightness CCFL Cold Cathode Fluorescent Lamp 60 cd/m <sup>2</sup> 5 min = 80% Brightness 20'000 hrs. = 64 % Brightness

Ethernet interface	Network	10Base-T/100Base-TX, with built-in auto-sensing
	Cable	Min. Cat 5, shielded if >3m
	PHY	Auto-MDI/MDIX crossover correction
	Power supply via Ethernet connection	Supports POE (Power Over Ethernet) to IEE 802.3af
	Green LED	Ethernet Link OK
	Orange LED	Ethernet Signal TX
	Protocol	BACnet over IP
Buzzer	Noise level at 10 cm distance	Min. 85dBA
	Frequency	2300 ± 300 Hz
Mounting options	<ul style="list-style-type: none"> <li>– For control panel mounting, remote operating panels, etc.</li> <li>– DIN rail mounting</li> <li>– Direct on modular automation stations</li> </ul>	
Connections	<i>see page 8</i>	
Housing protection standard	Protection standard to EN 60529	IP 40 (built-in), else IP 30
Protection class	Insulation protection class	III
Ambient conditions	Operation	Class 3K5 to IEC 721
	Temperature	0 ... 45 °C
	Humidity	< 85 % rh
	Transport	Class 2K3 to IEC 721
	Temperature	– 20 ... 60 °C <sup>1)</sup>
	Humidity	< 85 % rh
Standards, directives and approvals	Product standard	EN 60730-1
	Automatic electronic controls for household and similar use	
Environmental compatibility	Electromagnetic compatibility (EMC) (area of use)	For residential and industrial environments
	EU conformity (CE)	CM1T9231xx *)
	UL approbation	UL 916, <a href="http://ul.com/database">http://ul.com/database</a>
	The product environmental declaration contains data on environmentally compatible product design and assessments (RoHS compliance, materials composition, packaging, environmental benefit, disposal)	CA1E9234 *)
	*) The documents can be downloaded from <a href="http://siemens.com/bt/download">http://siemens.com/bt/download</a> .	
	Dimensions	117 x 210 x 37 mm (H x W x D)
Weight	Without / with packaging + screws	514 g / 568 g

## Connections



## Dimensions



## Drill and cut-out template

