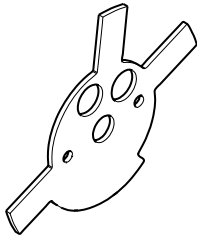



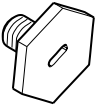
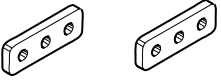
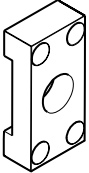
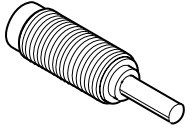

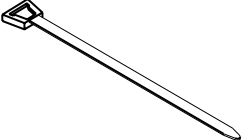


Mounting Instructions for Speed Sensor

AGG5.310 / AGG5.315

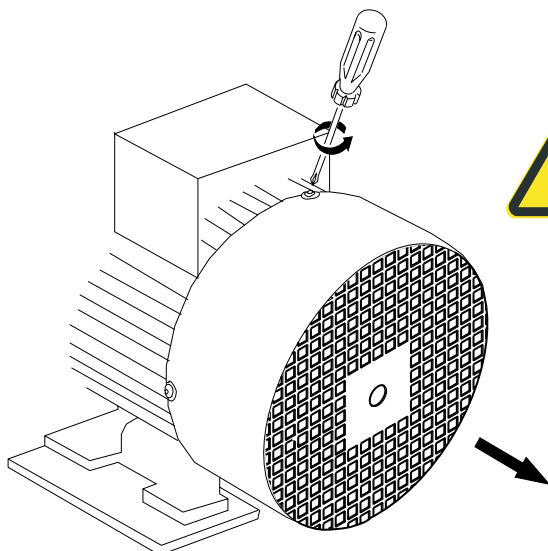
Scope of delivery

- | | |
|---|---|
| <p>1 1 sensor disk</p>  | <p>5 4 spring washers</p>  |
| <p>2 1 cup spring</p>  | <p>6 4 cylinder head screws
M3 x 10 mm</p>  |
| <p>3 1 fixing screw
M8 x 12 mm</p>  | <p>7 2 threaded plates</p>  |
| <p>4 1 sensor base</p>  | <p>8 1 sensor</p>  |
| | <p>9 1 locknut</p>  |
| | <p>10 1 cable tie</p>  |



These mounting instructions must be strictly followed.
Incorrect measurement of motor speed can lead to hazardous combustion conditions!
Check correct fit of sensor disk with fixing screw, sensor base and sensor once a year.
Readjust, if required.

1.

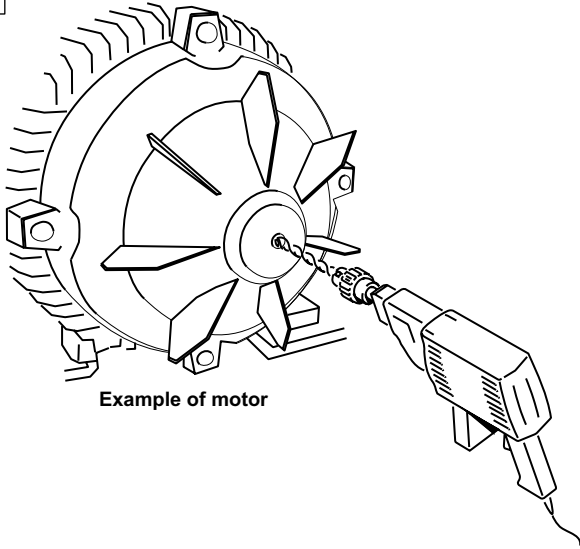


Example of motor

Before making any changes to the motor, contact your motor supplier with regard to warranty terms.

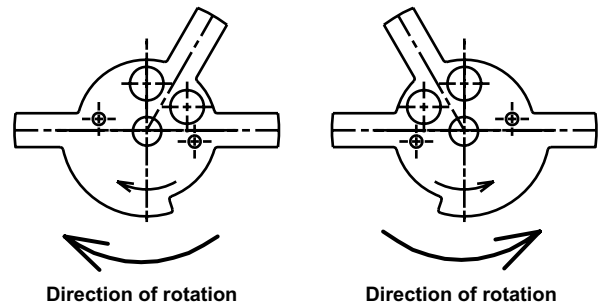
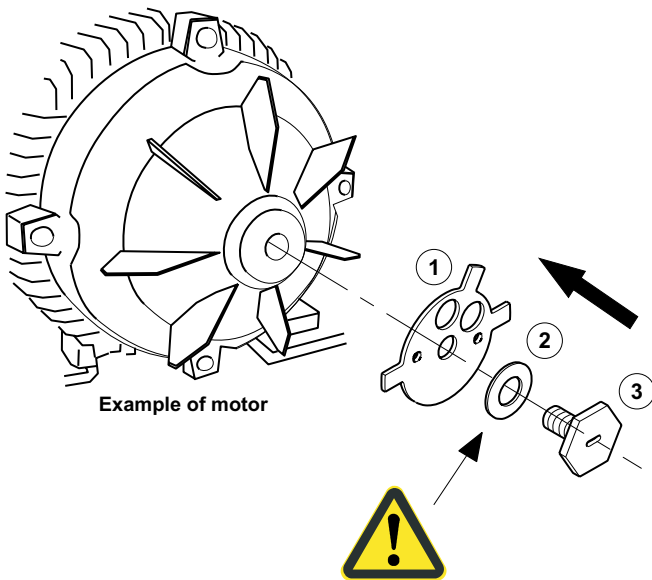
- Remove protective cover from the motor.
Maximum thickness of mesh 2 mm

2.



- Drill a central hole with a minimum depth of 18 mm into the motor's drive shaft.
Core hole dia. 6.8 mm
- Cut thread M8 x 15 mm.
Threaded hole must accept screw M8 x 12 mm

3.

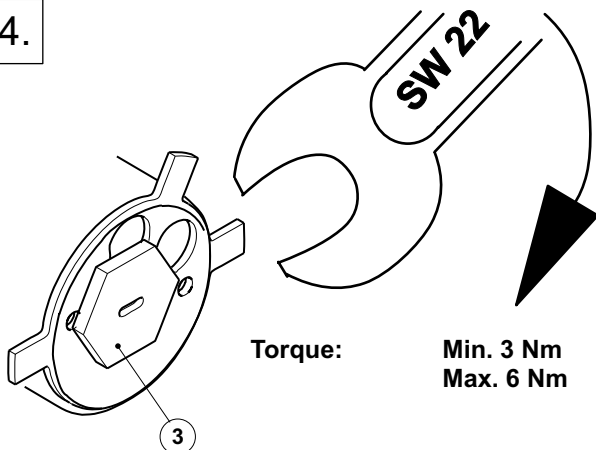


- Fit sensor disk ① while observing the motor's direction of rotation (see illustrations above)

Small sensor disk (50 mm dia.) for drive shaft dia. 15...50 mm (set AGG5.310)

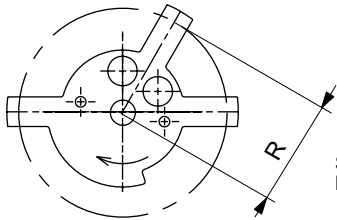
Large sensor disk (70 mm dia.) for drive shaft dia. 51...70 mm (set AGG5.315 on request)
- Fit sensor disk ① and cup spring ② (IMPORTANT) to the motor's drive shaft using fixing screw ③

4.



- Tighten fixing screw ③ with spanner SW 22 applying a torque of min. 3 Nm and max. 6 Nm

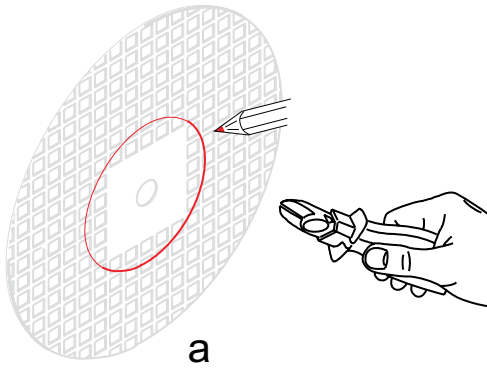
5.



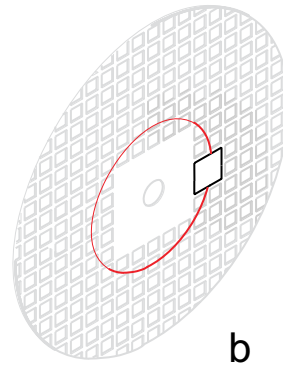
Small sensor disk: R = 41 mm
Large sensor disk: R = 51 mm

- Use a pen and draw a central circle with a radius of 41 or 51 mm respectively on the mesh (see Fig. a)
- Use an edge cutter to cut a square hole into the mesh for fixing the sensor base (position similar to that shown in Fig. b).

Ensure that the position of the sensor base hole agrees with the position of one of the sensor disk fingers.

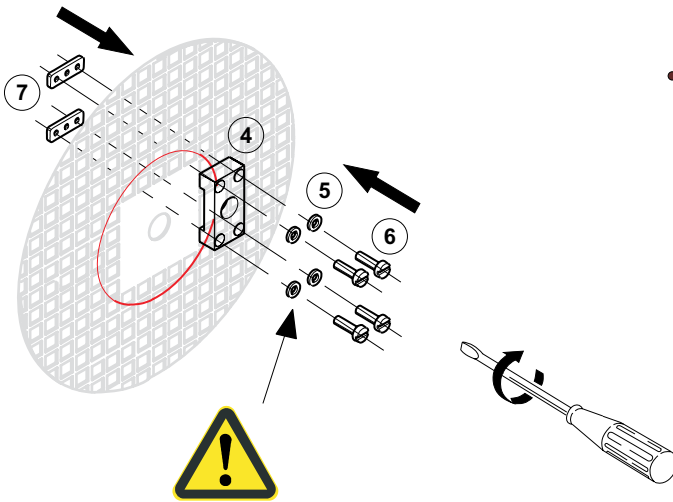


a



b

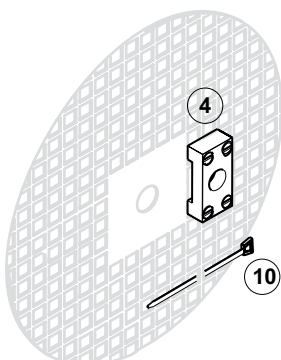
6.



- Secure sensor base (4) with the 2 threaded plates (7) (rear of mesh) to the mesh using the 4 spring washers (5) (IMPORTANT) and the 4 screws M3 x 10 mm (6) (for correct position, refer to illustration).

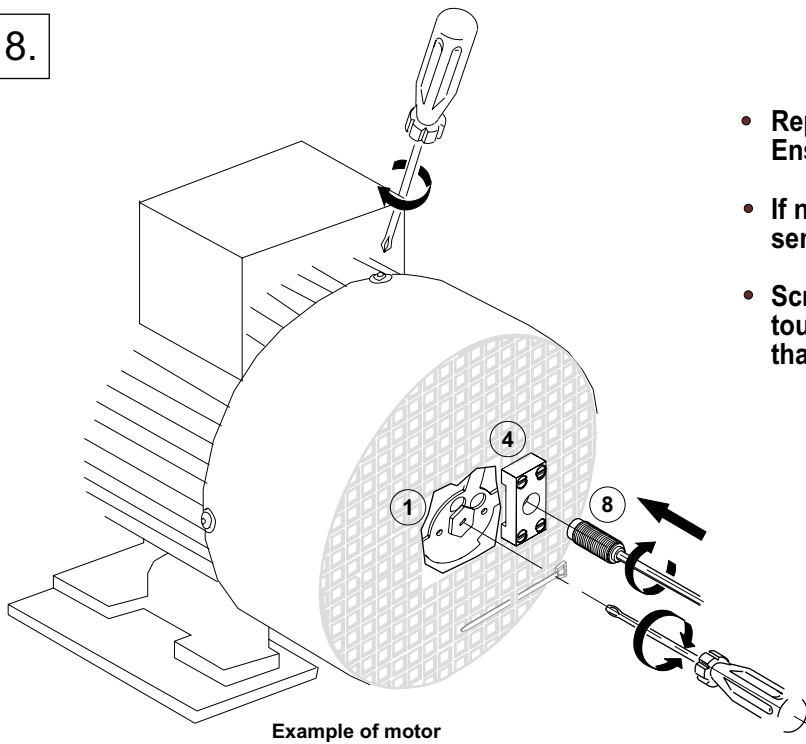
The radius of the circle drawn should intersect with the center of the sensor base hole

7.



- Introduce cable tie (10) below the center of sensor base (4) in the mesh (see illustration). Cable tie (10) will be required for securing the sensor's cable

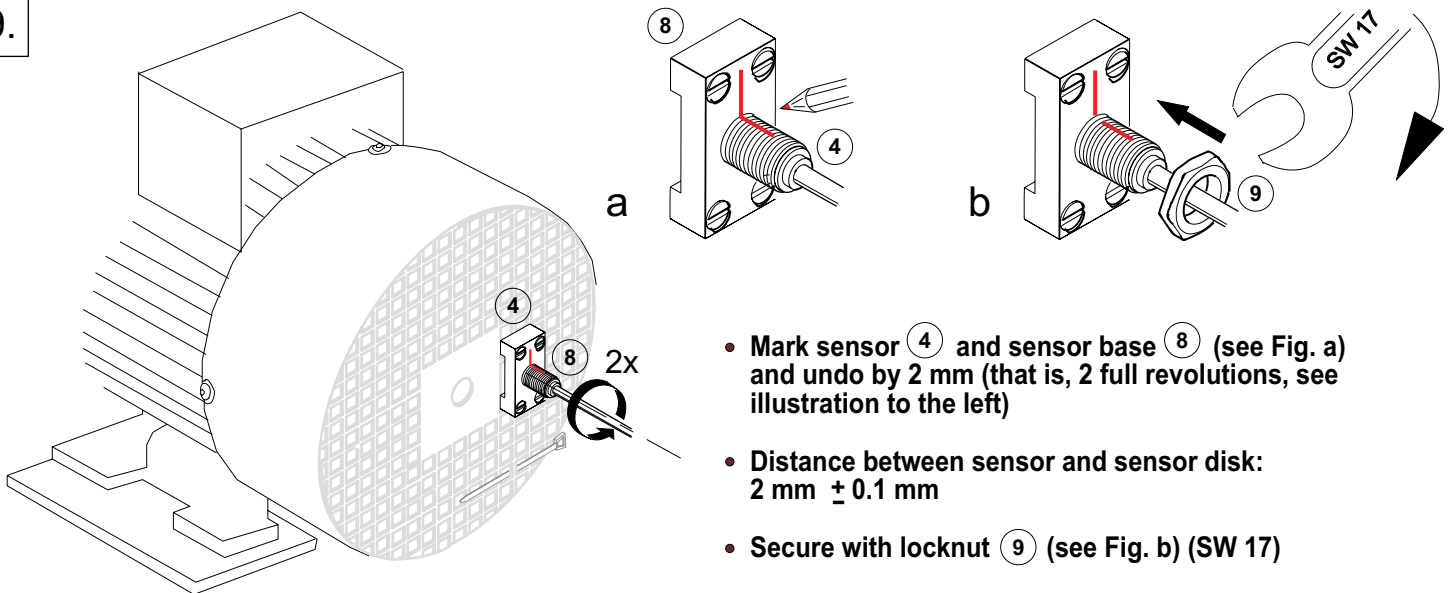
8.



Example of motor

- Replace protective cover. Ensure that it is properly fitted
- If necessary, use a screwdriver to locate one of the sensor disk fingers beneath the sensor base hole
- Screw sensor (8) into sensor base (4) until sensor touches slightly the sensor disk finger (1) ensuring that sensor disk (1) and / or mesh will not be deformed

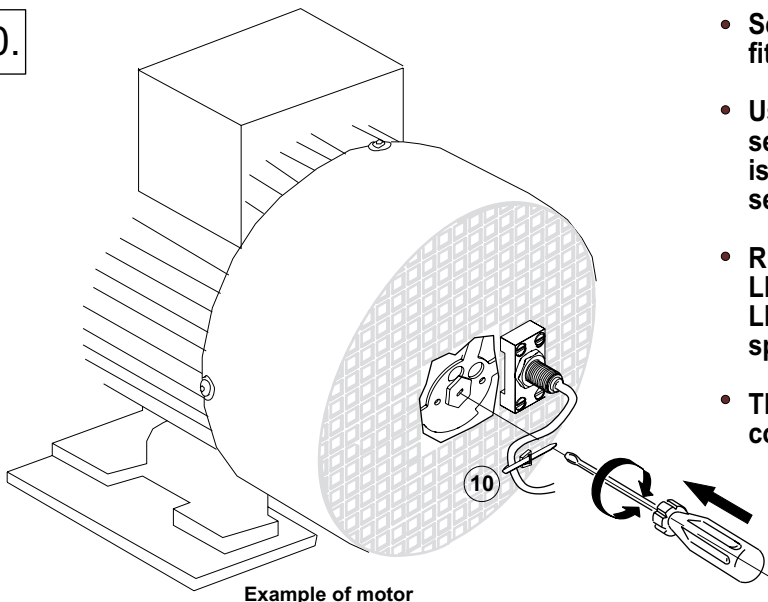
9.



Example of motor

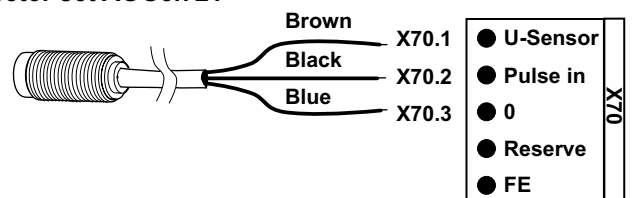
- Mark sensor (4) and sensor base (8) (see Fig. a) and undo by 2 mm (that is, 2 full revolutions, see illustration to the left)
- Distance between sensor and sensor disk: 2 mm \pm 0.1 mm
- Secure with locknut (9) (see Fig. b) (SW 17)

10.



Example of motor

- Secure sensor cable to the mesh using the previously fitted cable tie (10)
- Use a screwdriver to turn motor drive shaft with the sensor disk one full revolution to make certain that there is no mechanical contact between sensor disk and sensor
- Run sensor cable separately and connect it to the LMV5... (for details, refer to Basic Documentation LMV51..., P7550, Addendum 3: Variable speed drive (VSD) module)
- The plug required for the connection is contained in connector set AGG5.721



© 2010 Siemens AG