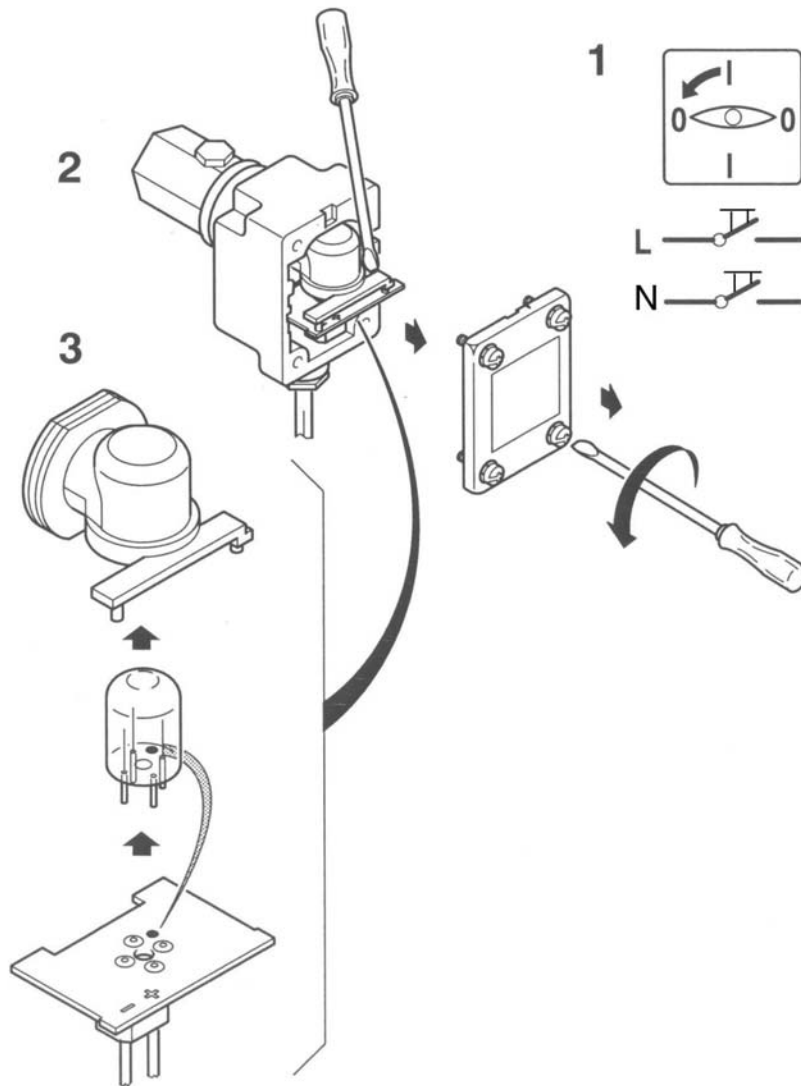
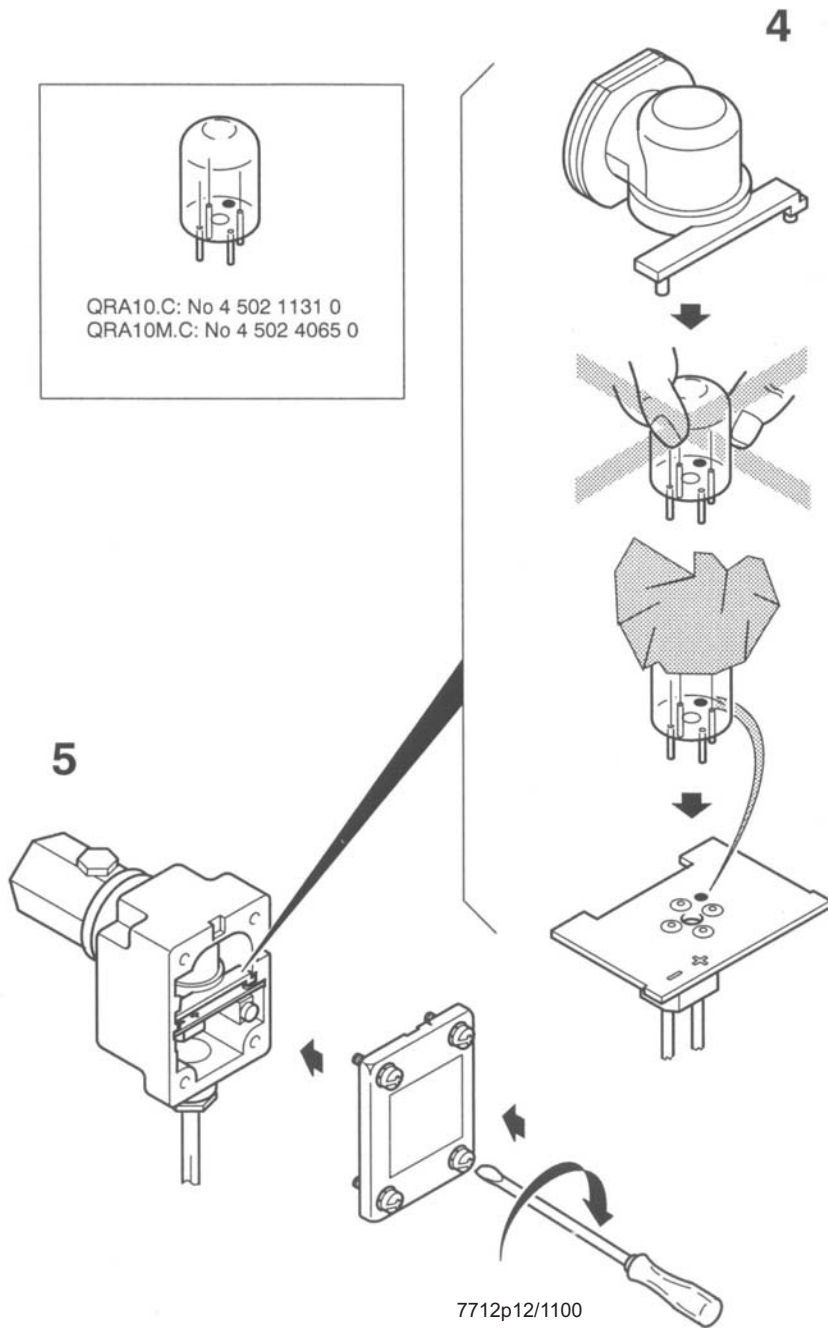
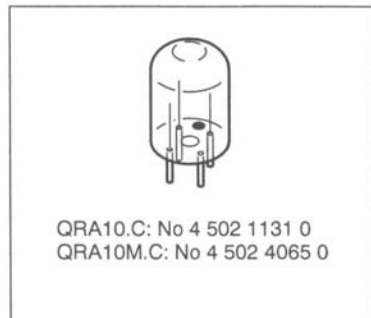


UV ↔ QRA10..C



7712p08/1100



© 2010 Siemens AG