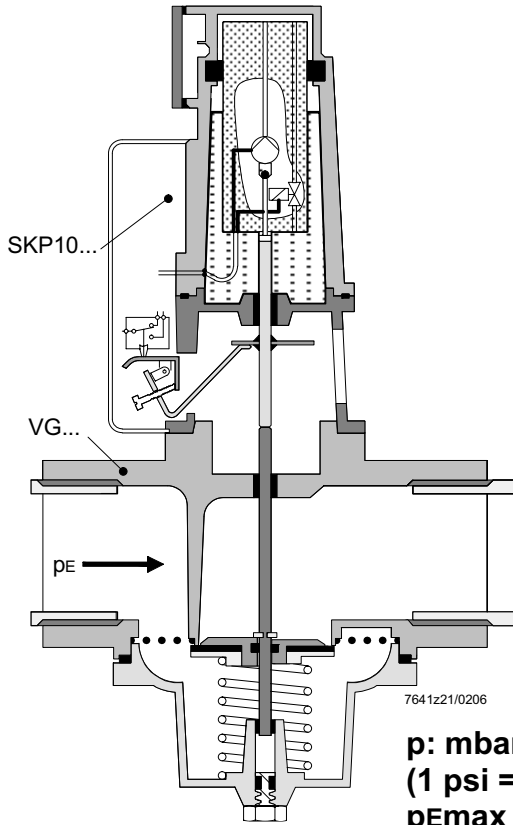


Combinations:

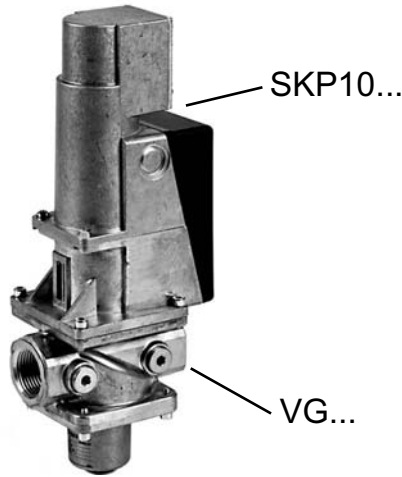
SKP10... VGG..  
 VGF...  
 VGH...  
 VGD...

**SKP10...**

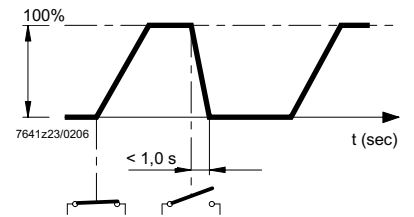
**SKP10...**



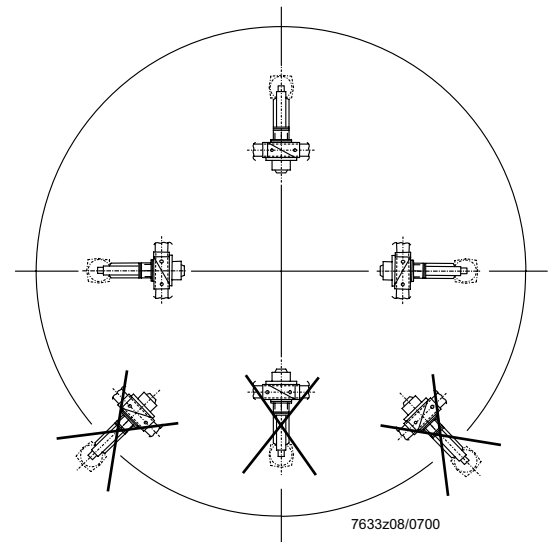
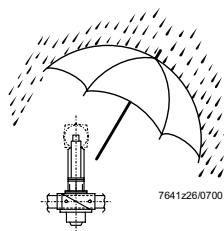
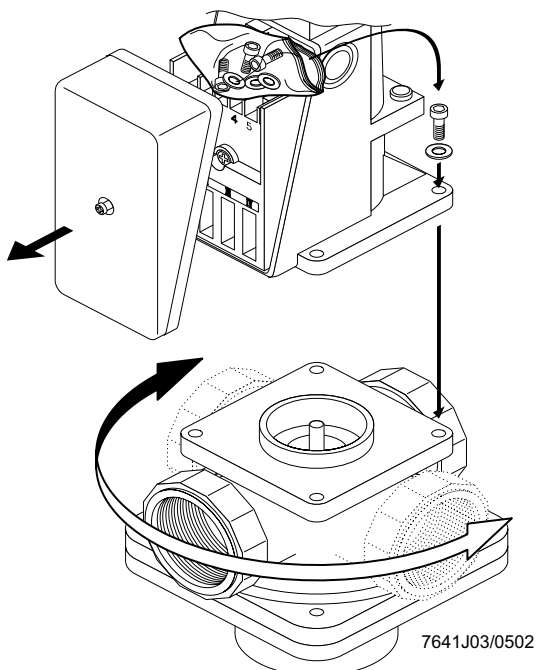
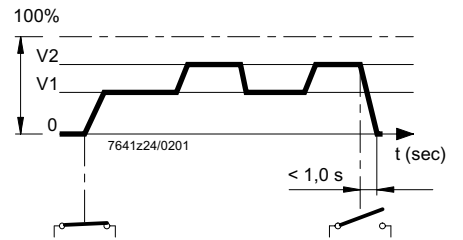
**p: mbar/psi**  
**(1 psi = 69 mbar)**  
**pEmax ⇒ VG.../VL...**

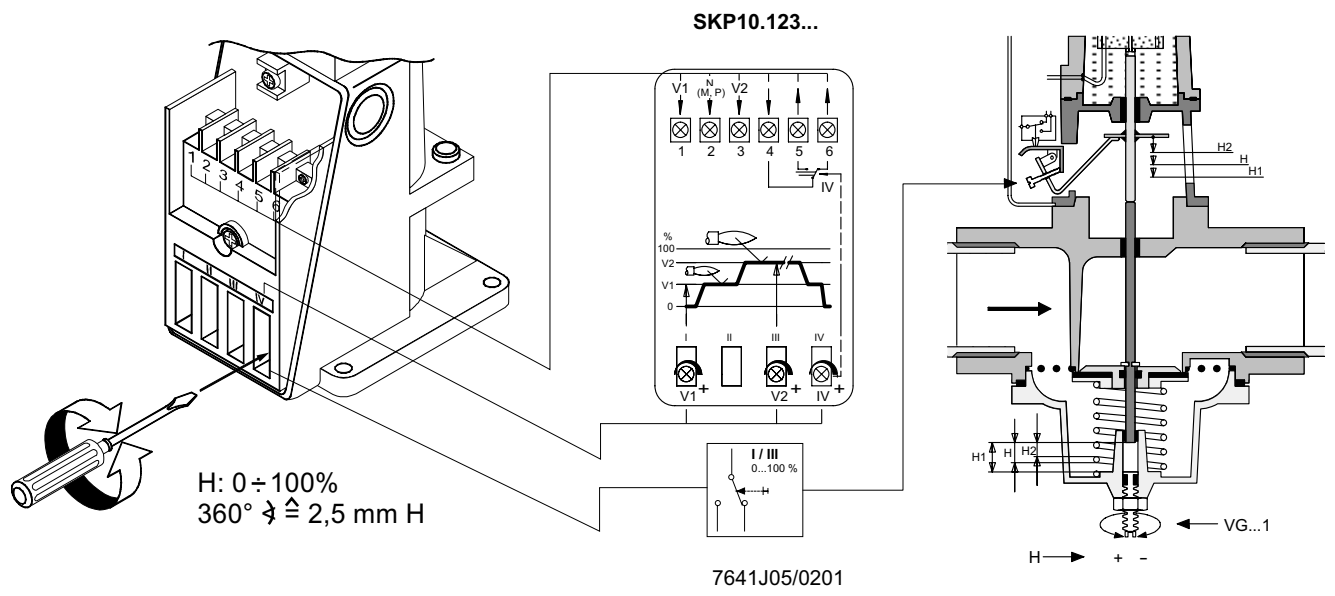
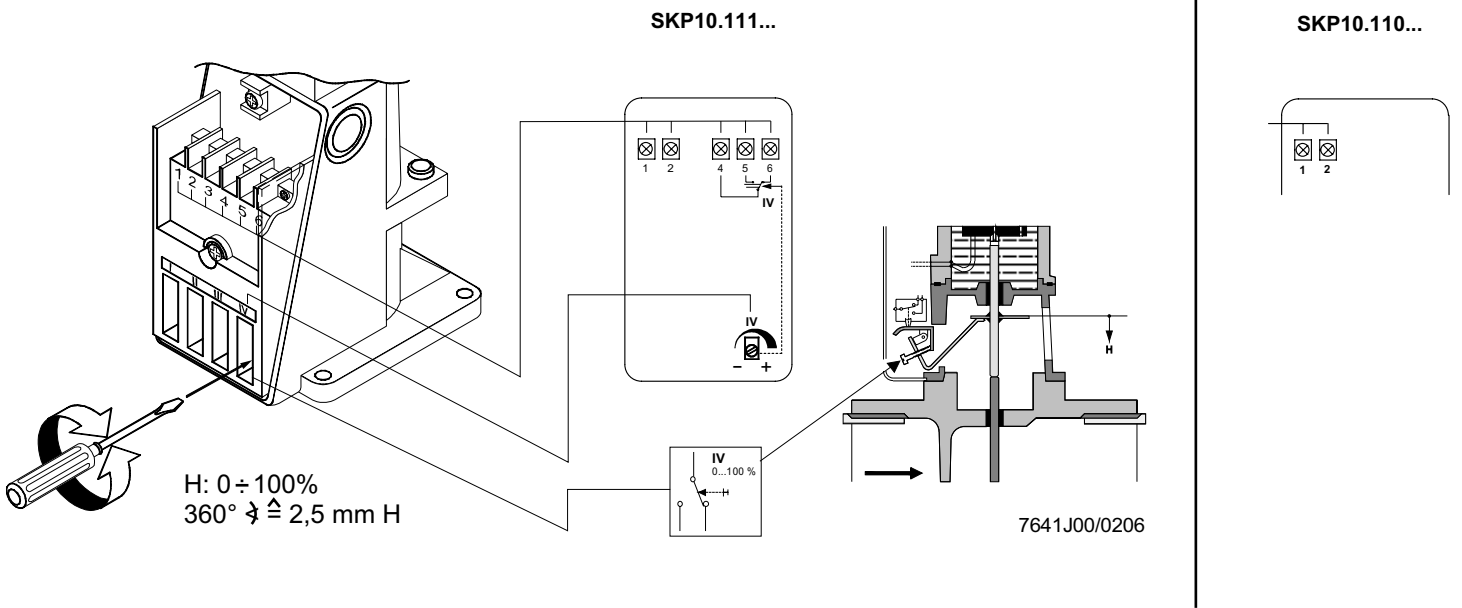


**SKP10.110/111...**



**SKP10.123...**





**SKP10.**

