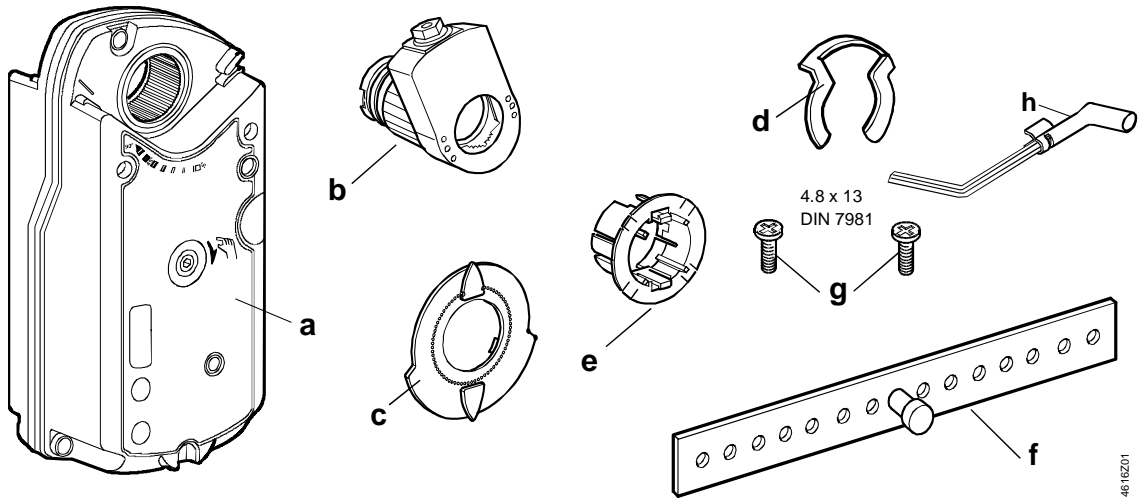
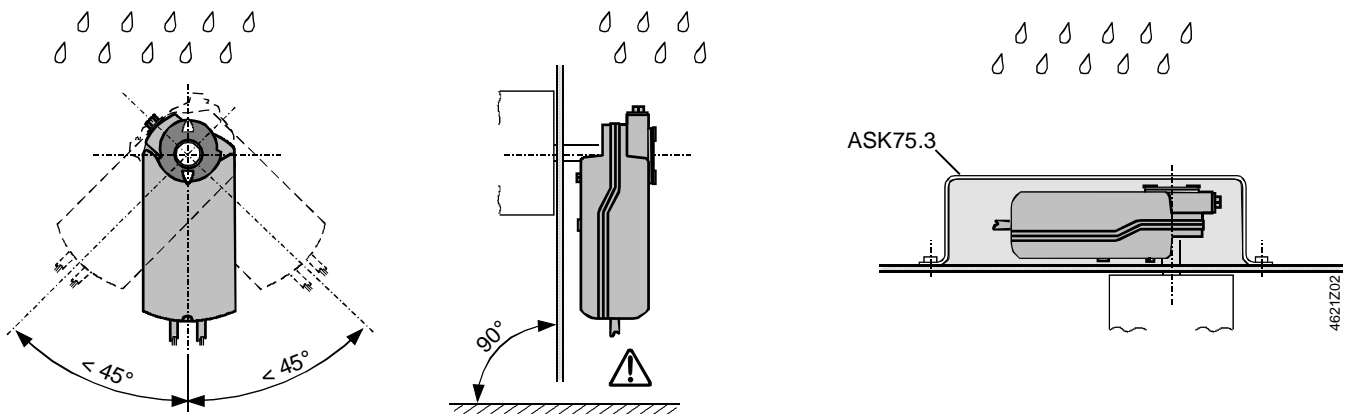


A Deliverables



B Notes / Warnings

IP54



Store these instructions together with the actuator or with the plant documentation!

- ⚠ This symbol denotes dangers and measures to avoid personal injury and property damage:
 - Only authorized personnel may connect actuators for AC 230 V.
 - Refer to the table in "Diagrams" for the voltages permissible at the auxiliary switches.
 - Do not expose the actuator's connecting cables to water or lay the cables in water.

□ Device of protection class II (protective insulation)

⚡ III Device of protection class III (protective insulation)

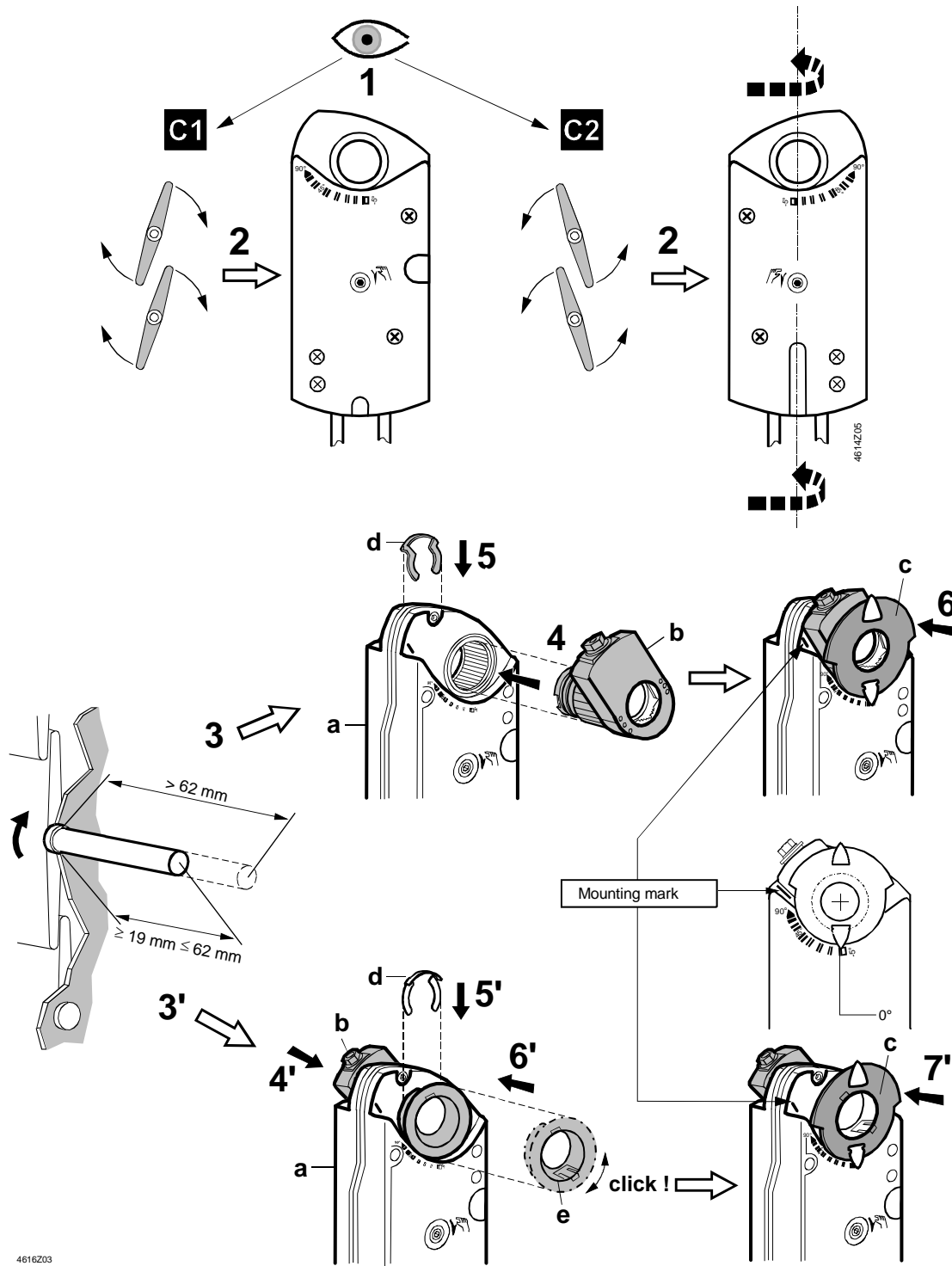
⚠ **Warning!** Do not open the actuator.

Spring preload: Factory set preload: 5°.
Spring reset: By power or mechanical.

Wiring and commissioning: Refer to the actuator's commissioning instructions and document "Technical basics" CM2Z4614.

C

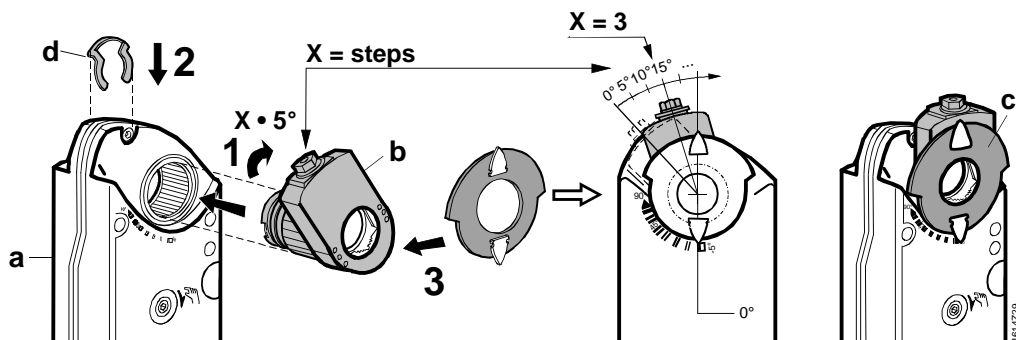
Adapter mounting



4616Z03

D

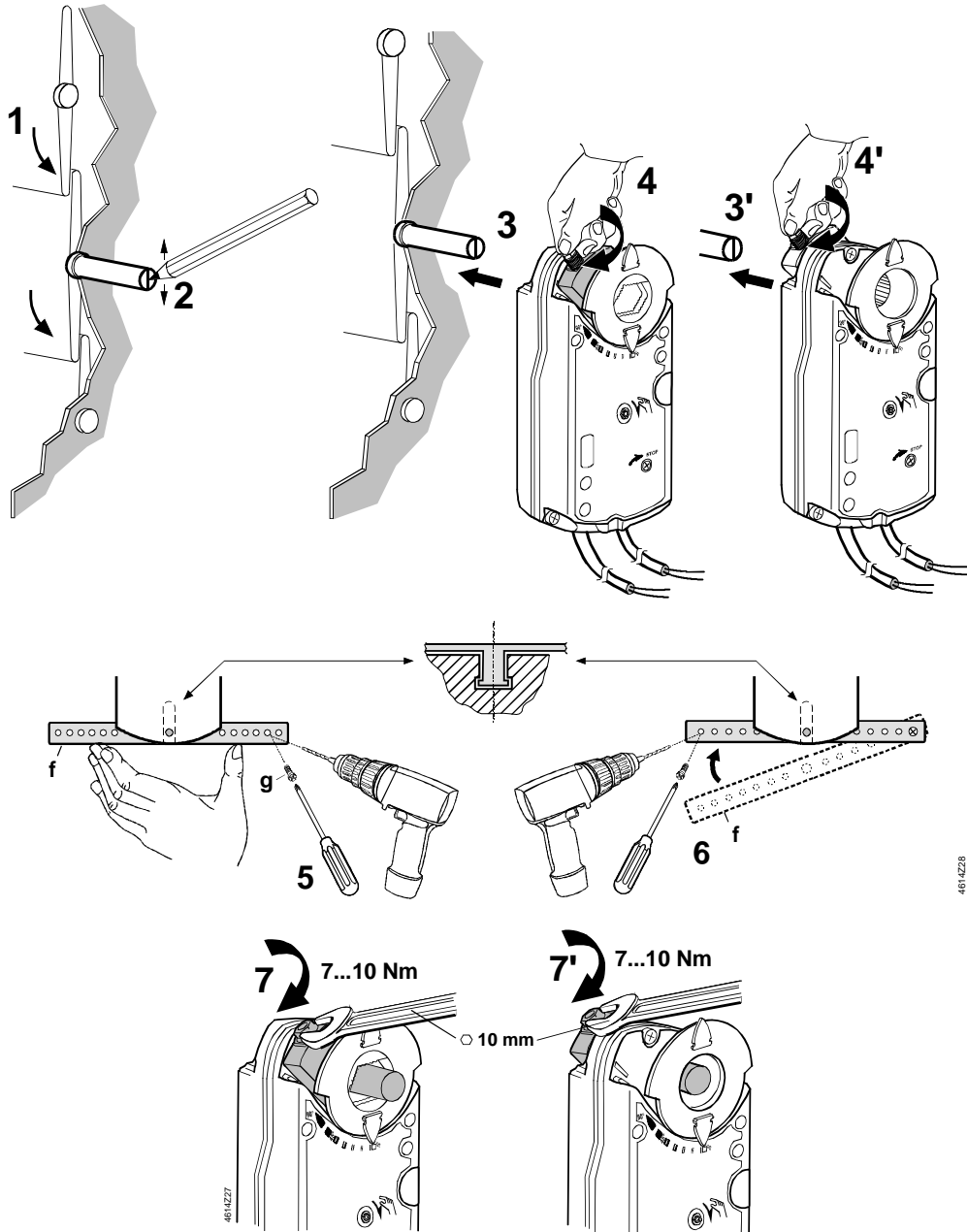
Limitation of rotary angle



4614Z23

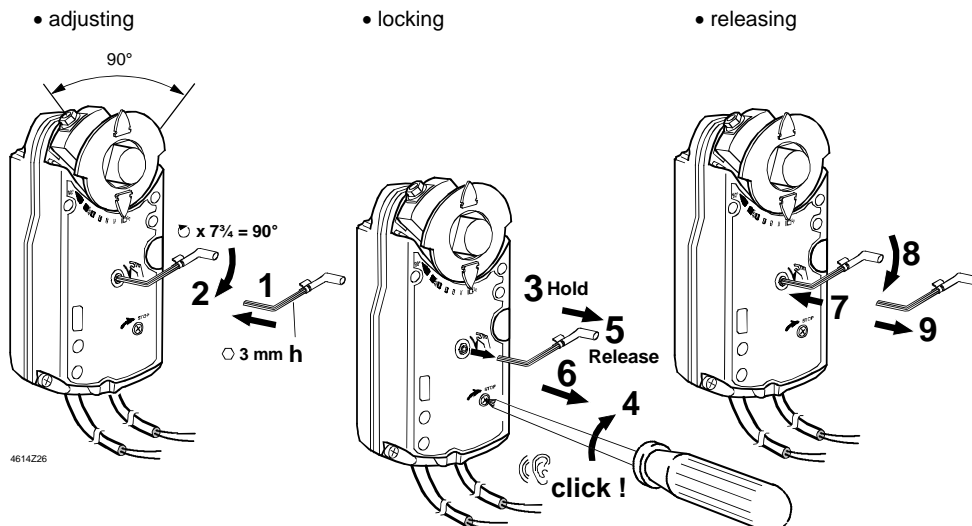
E

Shaft mounting



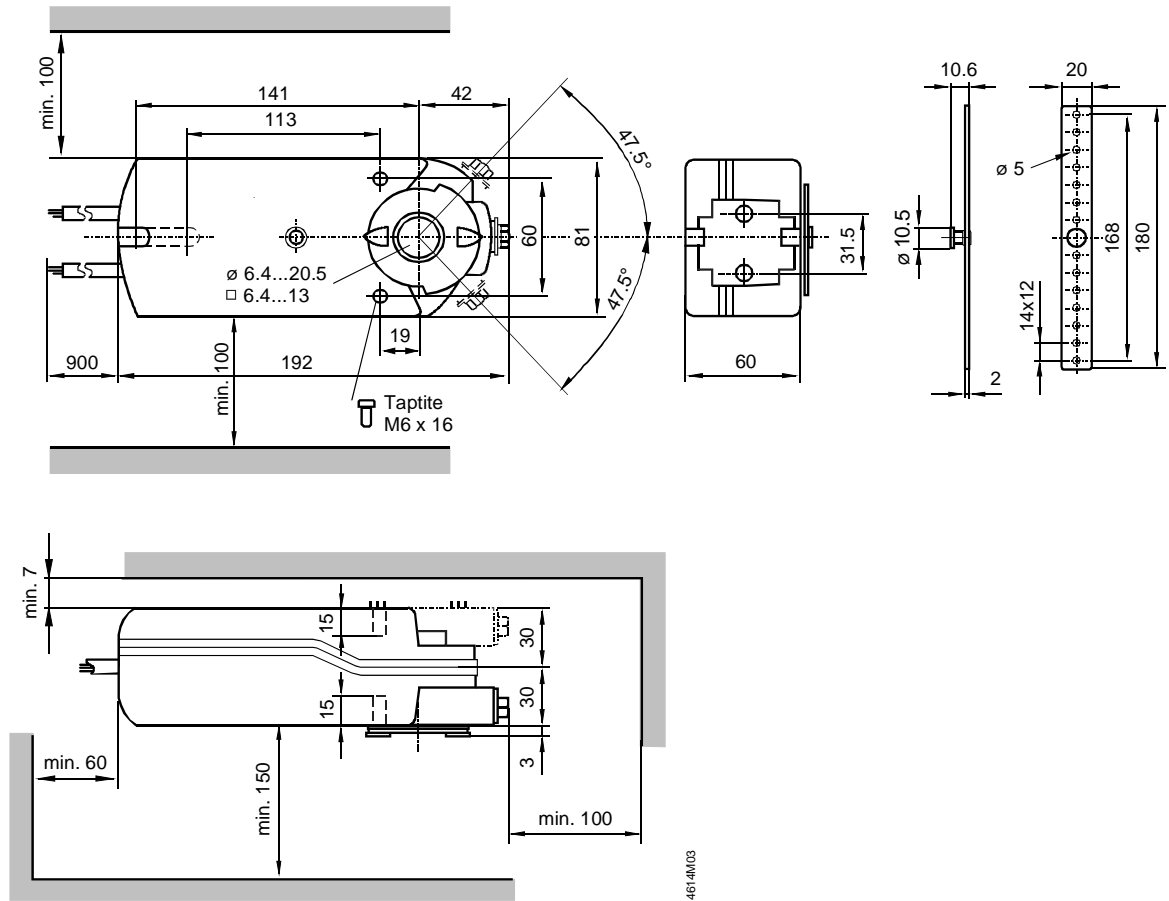
F

Manual adjustment



G

Dimensions



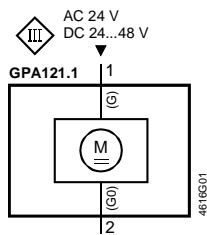
Dimensions in mm

H

Wiring diagrams

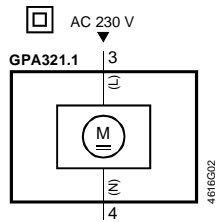
GPA121.1 AC 24 V/DC 24...48 V

Two-position control



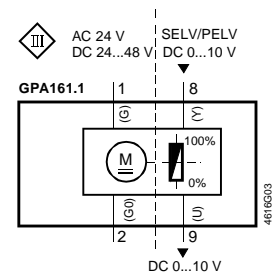
GPA321.1 AC 230 V

Two-position control



GPA161.1 AC 24 V/DC 24...48 V

Modulating control DC 0...10 V



Note: Wire 9(U) up to max. 41 V protected against faulty wiring.

Wire designations	Connecton	Cable				Meaning
		Code	No.	Color	Abbreviation	
AC 24 V/ DC 24...48 V actuators	G	1	red	RD	System potential AC.24 V/DC 24...48 V	
	G0	2	black	BK	System neutral	
	Y1	6	purple	VT	Actuating signal AC 0 V, AC 24 V/DC 24...48 V, "open"	
	Y2	7	orange	OG	Actuating signal AC 0 V, AC 24 V/DC 24...48 V,"close"	
	Y	8	gray	GY	Actuating signal DC 0...10 V, 2...10 V, 0...35 V	
AC 230V actuators	U	9	pink	PK	Position indication DC 0...10 V	
	L	3	brown	BR	Line AC 230 V	
	N	4	blue	BU	Neutral	