

Keep this instruction guide together with the actuator or with the plant documentation!

⚠ Only authorized personnel may perform electrical connections for AC 220/230 V.

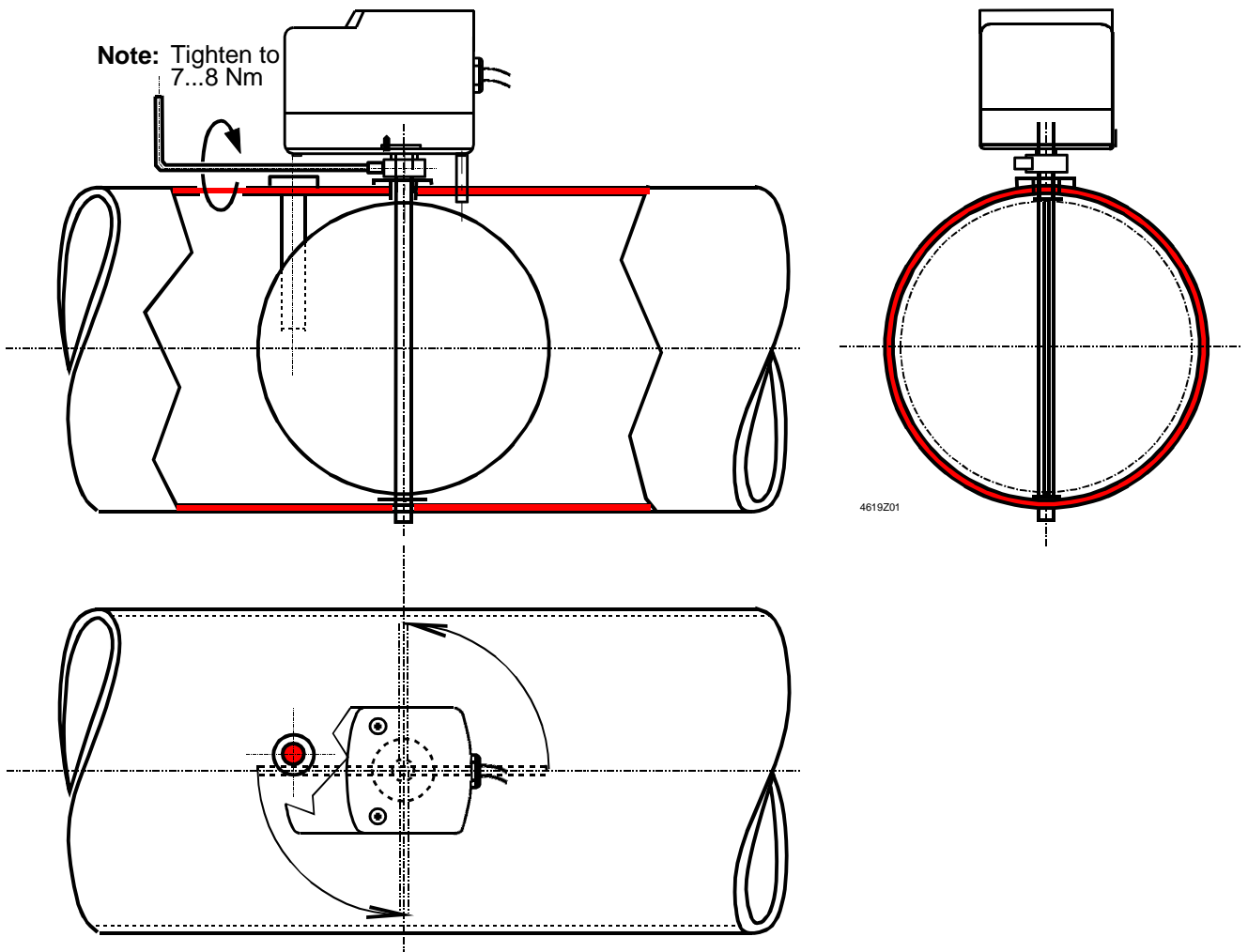
⚠ **Attention! Do not open the actuator.**  
The units are maintenance-free. Any repair work must be conducted by the manufacturer only. Opening of the actuator will void warranty.

### Wiring and commissioning

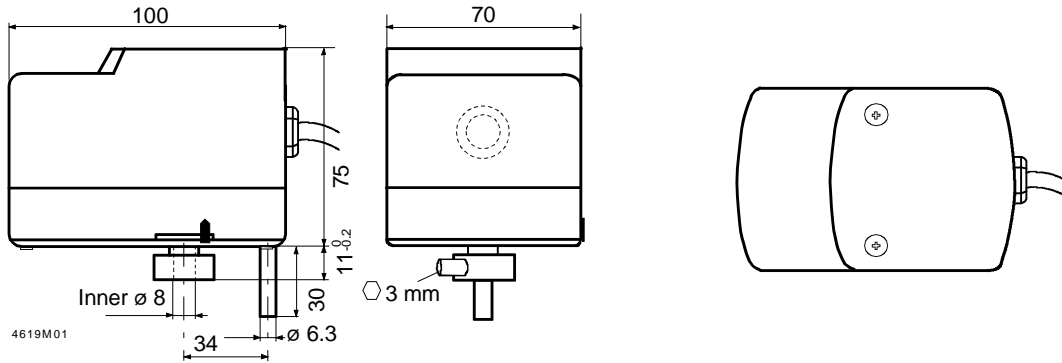
See the commissioning instructions and the data sheet for the actuator.



### Shaft Mounting

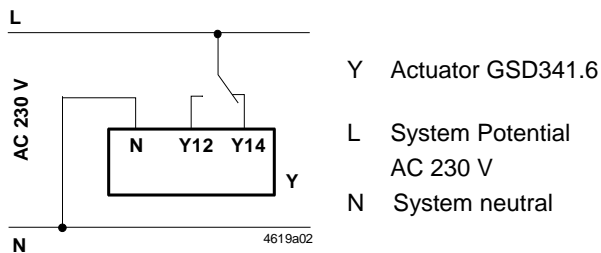
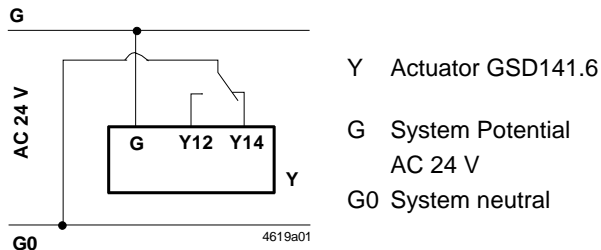


## Dimensions



## Wiring diagrams (Example: Control signals for drive direction counter-clockwise)

### SPDT



ASN	Voltage	Control mode	Wire designation, colour & function					Configuration of RJ11 Modular Jack of GSD141.6K	Legend	
			AC 24 V							RD
			G	G0		Y12	Y14			BK
			1	2		6	7		OG	orange
GSD141.6A	AC 24 V / 50 Hz	SPDT	RD			VT	OG		VT	violet
GSD141.6K	AC 24 V / 50 Hz	SPDT	Refer to configuration of RJ11 Modular Jack of GSD141.6K						BU	blue
			AC 220/230 V						WH	white
			N	L		Y12	Y14			
			4	3		6	7			
GSD341.6A	AC 230 V / 50 Hz	SPDT	BU			BK	WH			
GSD341.6A/KO	AC 220 V / 60 Hz	SPDT	BU			BK	WH			