

SICLIMAT™ X

instabus EIB interface

ZLXEIB

The instabus EIB can be connected directly to a serial port of the X-OS.

The engineered EIB data points are then treated in the same way as any other SICLIMAT X data points.

The instabus EIB is an intelligent installation bus for building automation and control, specifically designed to satisfy the requirements of electrical installations. It is used for the networking of intelligent actuators and sensors, and is suitable for control, monitoring and measurement in buildings.

The instabus EIB uses a two-wire bus cable to connect up to 64 devices per bus line (with an integrated 24 V power supply for the bus coupling units). Up to 12 bus lines can be linked with a line coupler to create a domain. Up to 15 domains can be linked with a domain coupler to create an instabus EIB system (i.e. over 12 000 devices per system).

The main applications of the instabus EIB are the control of lighting and blinds, distributed temperature control, monitoring and operation of buildings via SICLIMAT X, remote operation and remote monitoring via gateway, with signaling, positioning and load management coordinated by SICLIMAT X. Within a system, all instabus EIB devices can communicate directly with each other.

The instabus EIB can also be connected directly to COMPAS. COMPAS then becomes an instabus EIB subscriber, and can communicate simultaneously with SICLIMAT X via the process bus.

Use

The purpose of the software package is to connect the *instabus EIB* to SICLIMAT X. This makes it possible to integrate intelligent field devices into the operating and monitoring strategy of X-OS. This applies especially to lighting control, temperature control and building monitoring devices capable of direct intercommunication via the *instabus EIB*.

Use of the software in the SICLIMAT X system

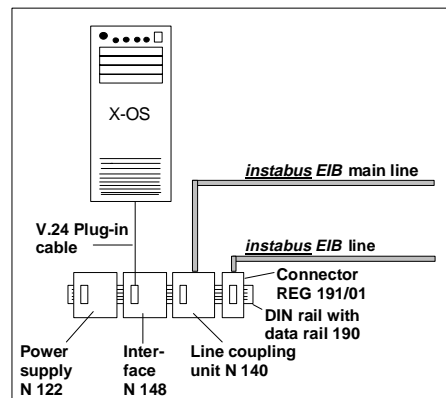
The *instabus EIB* system is connected via an RS232 interface module to a serial port of the SICLIMAT X operator station (X-OS). More than one *instabus EIB* system can be connected to SICLIMAT X (but max. 1 *instabus EIB* system per X-OS).

The data transmitted to and from the EIB devices is fully integrated into the SICLIMAT X data model.

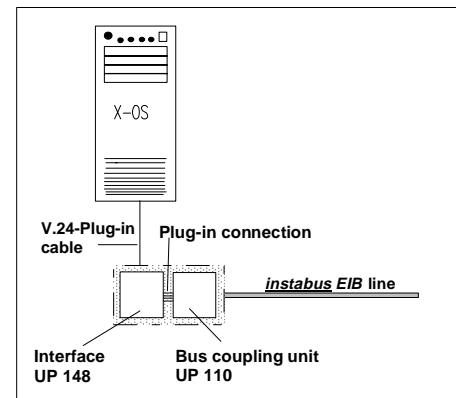
With the *instabus EIB* connected to SICLIMAT X, the building operator has access, via a single user interface, to information from all the electrical and mechanical building services, and hence to functions such as trend logging, event switching, time switching, consumption measurement and billing, and the transfer of information to higher-level systems.

Diagram

Examples



OR



Ordering

When ordering, please specify the quantity, product name and type code.

<i>Type</i>	<i>Order No.</i>	<i>Specification No.</i>
EIB connection, ZLXEIB	6FL4214-4NC35	12/27204

Technical data

	Type	EIB connection, ZLXEIB
System requirements	Software	SICLIMAT X basic software package GL1, as at V3.1 or higher
	Hardware	1 free serial output on X-OS (not possible via multiport adapter) for connection to an <i>instabus EIB</i> interface, e.g. RS232 interface N 148 (5WG1 148-1AB02) with sub-D input (X-OS can be connected at any point in the network)
	<i>instabus EIB</i> limits	Over 12 000 devices per system (15 domains, each with 12 lines accommodating 64 devices) subject to the maximum number of function points per X-OS Max. 1 <i>instabus EIB</i> per X-OS

