

SICLIMAT™ X

DESIGO RX connection to SICLIMAT X

IRC

A communication package connects the DESIGO RX individual room controllers via PROFIBUS FMS with the SICLIMAT X system at PRU2.

The connection of the DESIGO RX controllers is fully integrated in the SICLIMAT X System.

The data exchange takes place between the PRU2 via NIDES.RX and the SICLIMAT X-OS.

Application

The range of DESIGO RX controllers consists of individual room controllers for HVAC systems and includes integrated controllers for lighting and blinds. DESIGO RX ensures always the required individual comfort of building occupants in public buildings, schools, hotels, etc.

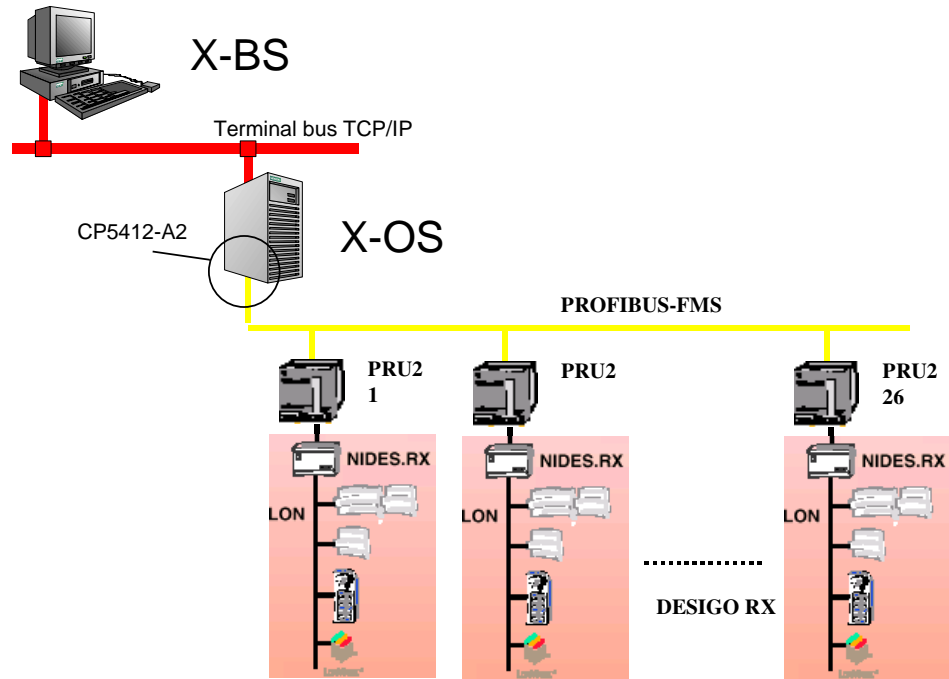
The DESIGO RX devices communicate with each other via a standardised bus system (LonMark® on LON bus).

For engineering and commissioning of a DESIGO RX controller network the RXT commissioning and service tool is used.

The connection to SICLIMAT X is provided via the NIDES.RX interface and the PRU2.

The UNIGYR process controller (PRU2) which communicates with a NIDES.RX interface is defined as an "RX master". It makes all the higher-level system functions available to the lower-level DESIGO RX room management system.

Configuration



Performance criteria

The connection of the RX controllers via LON bus is an integral part of the PRU2 version 7. The data storage of RX objects and the communication procedure via PROFIBUS FMS is specified by the configuration of the PRU2 Version 7 and cannot be altered.

The connection of the PRU2 is provided by a new PCCR communication driver in the SICLIMAT X OS.

It is possible to connect up to 26 PRU2 to one SICLIMAT X OS.

Currently only one bus line of PRU2s are supported by SICLIMAT X OS.

The following SICLIMAT X functions are available:

- Operating/monitoring of images incl. Nobis
- Central time switching (local time switching not possible)
- Tecla
- Type-specific protocols (e.g. state protocols)
- Trend
- Archiving of process data

Engineering

The complete engineering of the PRU2 is contained in two files, one *.hlk file and one *.adr file.

These files are loaded with a SICLIMAT tool (Rxdli). All relevant information is evaluated and filed (DLI file) in the format specified for the SICLIMAT X data import. The data import function is used to transmit the RX data to the SICLIMAT X OS via the engineering manager.

The RX objects (room, light, blinds) are an integral part of the SICLIMAT X object database and can, therefore, be fully mapped.

Ordering

When ordering, please specify the quantity, product name and type code.

<i>Type</i>	<i>Order No.</i>	<i>Specification No.</i>
PCCR communication package	6FL4214-4NC95	12/27257
Bus connection	6FL4301-4FA20	15/44053
PRU connection, add. package	6FL4214-4NC67	12/27224

Ordering details for DESIGO RX and PRU2 are described in full on the L&S intranet.

System requirements

SICLIMAT X from version 3.1

Add. package "DESIGO RX connection, communication package"

