

SICLIMAT™ X

SIGMASYS interface

ZLGMASYS

This particular interface for alarm annunciation systems connects the SICLIMAT X and SIGMASYS systems. With this interface it is possible to integrate, display and process alarm and fault messages in SICLIMAT X from alarm annunciation systems using SIGMASYS and the SIGMAPORT interface.

Application

The interface connects the SICLIMAT X and SIGMASYS systems. With this interface it is possible to display and process alarm and fault messages in SICLIMAT X from SIGMASYS alarm annunciation systems via the SIGMAPORT interface.

SIGMASYS is a self-contained networked alarm annunciation system. SIGMASYS protects against various types of danger in one system using one operating and information interface and combining fire protection, intruder protection, operational protection and operation control.

The system recognises the source of danger and is also able to introduce by itself any measures to reduce risks and danger as well as to inform intervention staff about the cause and location of the danger. Input signals can be linked logically and in time by a microprocessor controlled logic in order to implement even complex system reactions.

Performance criteria

Three types of information are sent to SICLIMAT X:

- Message telegrams which signal a change of state of data points (fire or intruder sensors, for example) to SIGMASYS;
- Command feedback messages which provide a feedback for executed operations to the operator units connected to SIGMASYS;
- Restart telegrams which are sent in both directions in order to inform the other side about the end of a communication or device fault.

All messages sent via the alarm annunciation system coupling are displayed in SICLIMAT X in the normal way.

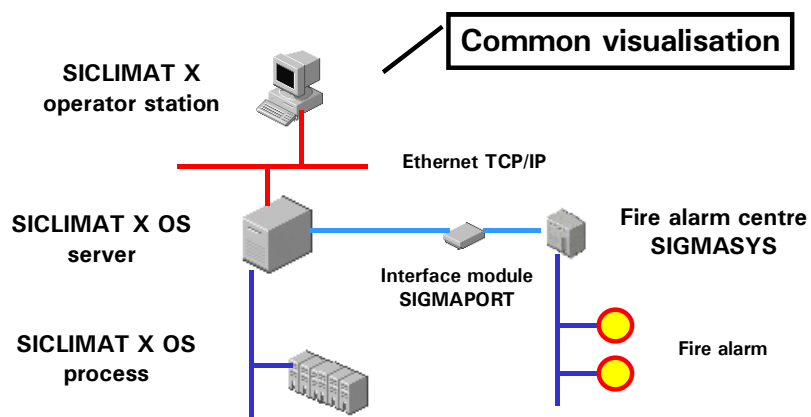
The service text in the message forms is generated by the SICLIMAT X multipurpose editor.

Each message can also display a diagram in addition to the message form. Such diagrams highlight in the displayed area all those data points for which messages are present. The diagrams are generated by the plant image editor of SICLIMAT X.

The definition of the data points and the link with the addresses specified by SIGMASYS telegrams are supported during the engineering by the AS project engineering in SICLIMAT X by means of a raw-data transfer from SIGMAPLAN.

Configuration

It is possible to connect a SIGMASYS system via the SIGMAPORT interface using a **direct** serial interface of a SICLIMAT X OS.



Ordering

When ordering, please specify the quantity, product name and type code.

<i>Type</i>	<i>Order No.</i>	<i>Specification No.</i>
Additional software V 3.1 Coupling for SIGMASYS	6FL4214 - 4NC83	n/a

System requirements

	Type	ZLGMASYS
Software	Standard package	<ul style="list-style-type: none">• SICLIMAT X from version 3.1• Add. package, coupling for SIGMASYS
Hardware	Interface	<ul style="list-style-type: none">• Standard SICLIMAT X hardware free direct serial interface• SIGMA port interface in fire alarm system SIGMASYS
Engineering	Connection	The data points of the alarm annunciation system are made known in the SICLIMAT X system by the import of a data point list (DLI). Data transfer from SIGMAPLAN

