

VISONIK ® Standard driver pack

SGU-NIOPEN under Windows NT

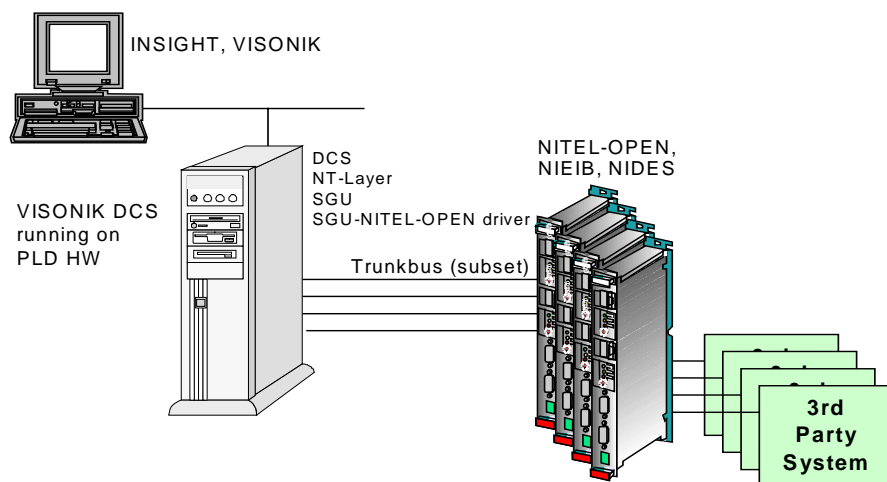
System Gate Unit - NITEL-OPEN. For the Interfacing of all NITEL-OPEN integration

A variety of NITEL-OPEN based integration standard solutions is available from stock. These solutions have, with this package (SGU-NIOPEN), become available to the VISONIK-DCS.

Application

The SGU-NIOPEN SW is used to interface standard NITEL-OPEN integration solutions into VISONIK via the SGU.

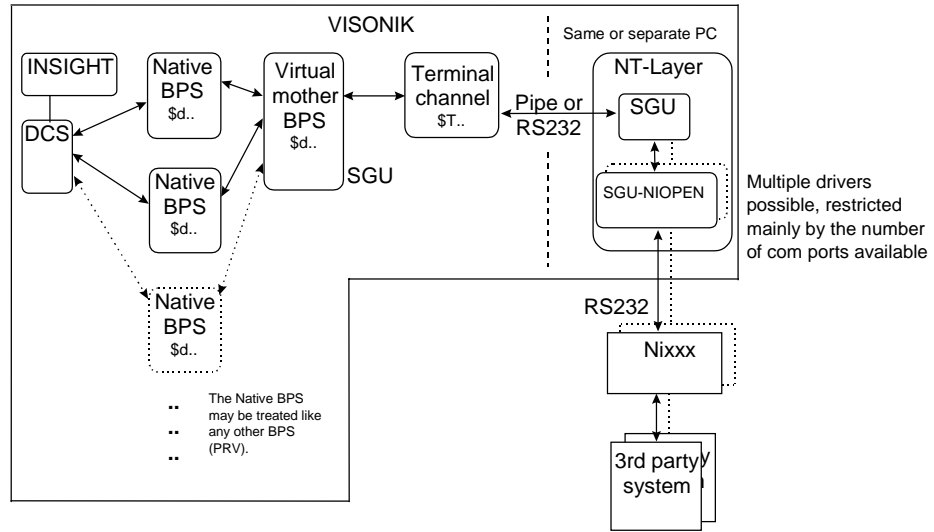
Configuration



Functions

Software overview

The VISONIK is run with the software INSIGHT, DCS on the PLD hardware units as their platform(s). In addition, the SGU-NIOPEN SW runs on the same or a separate PC. Within the VISONIK, data points (with NIOPEN specific parameters) are treated as genuine VISONIK data points.



Summary of types

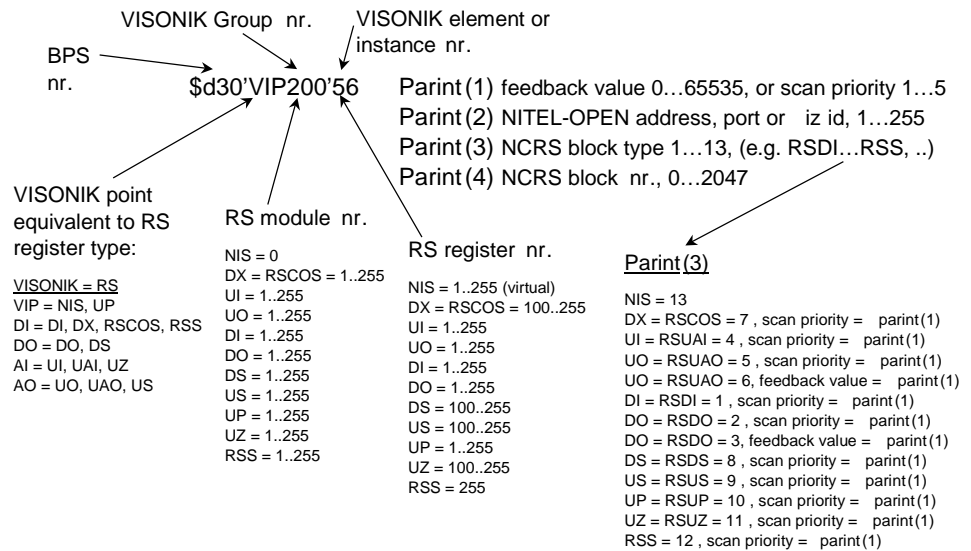
The SGU-NIOPEN SW is available for NT (versions please see „Version compatibility“ below).

Ordering procedure

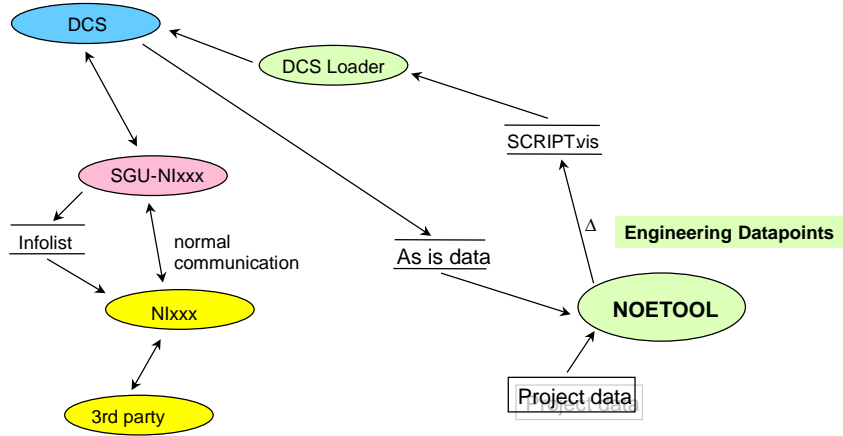
The SGU-NIOPEN SW is available from the intranet.

Design features

Mapping and support data point types

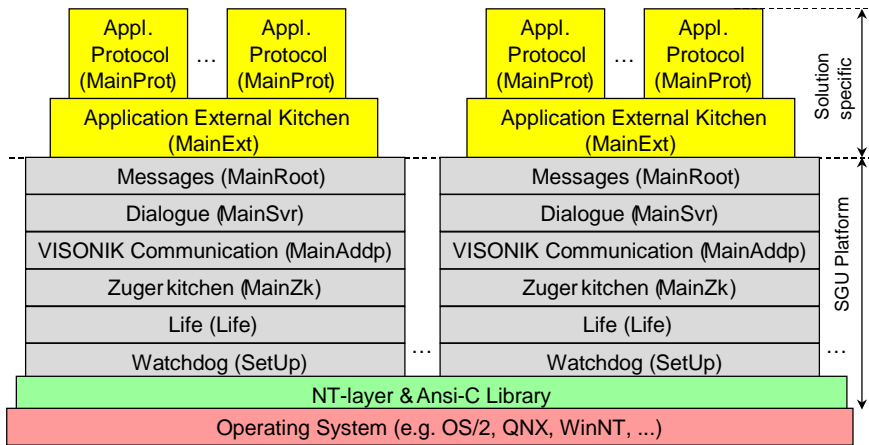


Tools



SW layers

(SGU-NIOPEN equals MainProt and MainExt)



Technical information

Capacity

The number of data points are as shown below. Please note that for slower PLDs the limitations may be even lower.

SGU type	Number of NITEL-OPEN interfaces to SGU	Number of data points on NITEL-OPEN interfaces
Internal	≤ 9	≤ 3'000
External	≤ 12	≤ 10'000

Data format and baudrate

Baudrate (for Trunkbus) in the SGU-NIOPEN may have the values 9600/4800/2400/1200 bps
 The Data format: 8 bits, no parity, 1 Stopbit

Version compatibility

Item	SW/HW/ FW	Version	runs on:	Ref. Document	Supplier
NIMOD	FW	1.2	NITEL-HW	C26-03.00	L&S REU
NIMEM	FW	1.2	NITEL-HW	C26-04.00	L&S REU
NISIR	FW	1.4	NITEL-HW	C26-05.00	L&S REU
NIZUL	FW	1.2	NITEL-HW	C26-06.00	L&S REU
NICAM	FW	1.0	NITEL-HW	C26-11.00	L&S REU
NIMEB	FW	1.2	NITEL-HW	C26-12.00	L&S REU
NIMIF	FW	1.0	NITEL-HW	C26-14.00	L&S REU
NIEIB	HW	1.05	ELKA HW	C26-09.00	L&S REU
NIDES	FW	1.2	NIDES HW	CA2Z3298E	L&S REU
VISONIK PLD	HW	5.200	Pentium 450	E 11062 MH	L&S REU
INSIGHT	SW	04.06	(on above)	CM208301X	L&S REU
DCS	SW	20.04.009	(on above)	CM208301X	L&S REU
SGU-NIOPEN	SW	2.00.02	(on above)	C26-02.13 C26-13.00 PD426-6.17- 64CB015 64CB016	L&S REU
SGU	SW	4.4.18	(on above)	Sguv4.doc	L&S REU
NT-Layer	SW	4.32	(on above)	C26-13.00	L&S REU
NT	SW	4.0	(on above)	25H7205	IBM
DCS-Loader	SW	3.0	(on above)	CM2U8373D	L&S REU
NoeTool	SW	3.0	(on above)	M2	L&S REU

Please note: INSIGHT, DCS, SGU-NIOPEN with SGU and NT-Layer may also be run on separate PCs.

Planning guide

For the VISONIK-DCS, the max. (max.number-1) of available BPS (building process stations) and data points has to be taken into account.

The performance of the VISONIK-DCS is improved, if the SGU-NIOPEN SW is run on a separate PC.

Installations guide

The SW contains 3 packages.

Installation from network

SW	File for installation (Source)	Destination	Remark
NT-Layer	..\Nt-Layer\Install\VISONIKNT-Layer.exe	e:\Nt-Layer	Install 1 st
SGU V4	..\SGU\V4\InstallNt\VISONIKSGU.exe	e:\SGU\V4	Install 2 nd
SGU-NIOPEN-NT	..\SGU\V4\NIOPEN\Install\SGUNIOPEN_NT.exe	e:\SGU\V4\NIOPEN	Install 3 rd

Installation from disk

SW	File for installation (Source)	Destination	Remark
NT-Layer	A:\VISONIKNT-Layer.exe	e:\Nt-Layer	Install 1 st
SGU V4	A:\VISONIKSGU.exe	e:\SGU\V4	Install 2 nd
SGU-NIOPEN-NT	A:\SGUNIOPEN_NT.exe	e\SGU\V4\NIOPEN	Install 3 rd

References

Please see engineering and release notes CA1J9731en

© 2001 Siemens Building Technologies AG

Information in this document is subject to change without notice. Landis & Staefa (Europe) AG assumes no responsibility for errors that may appear in this document.