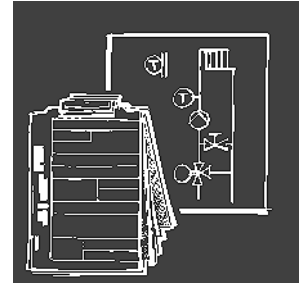


VISONIK®

BPS operation and display

Function sheet



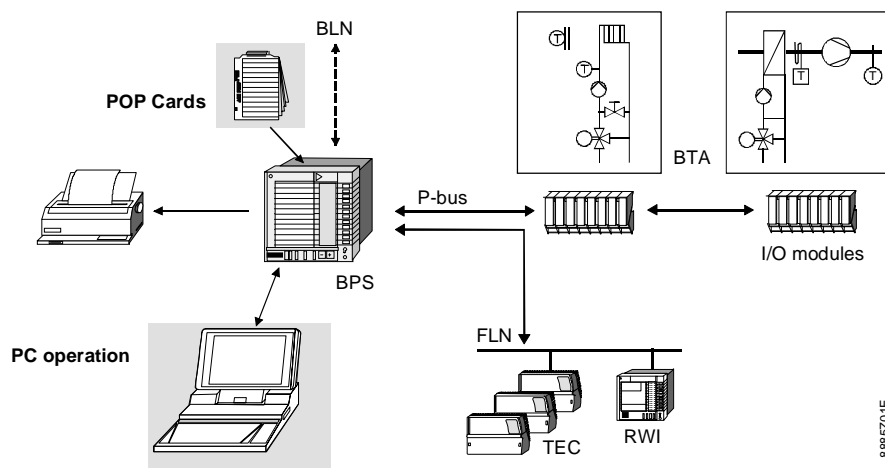
The VISONIK BPS local operation and display offers all important operating functions for the automation level such as:

- Indicating operating and error statuses
- Changing setpoints, timeswitch entries, etc.
- Printing alarms and reports

Use

VISONIK BPS local operation is used mainly on autonomous process stations but provides the same functionality as if connected to a Building Level Network (BLN). The following are operated primarily:

- Building services plants connected via the P-bus and I/O modules
- Room control systems integrated via the Floor Level Network (FLN) such as TEC



Variants in operation

There are two variants for local operation and display:

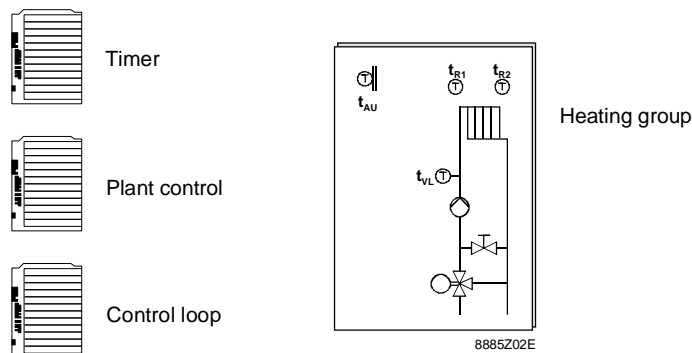
Variant	Interpretation
POP Cards	Operating cards labelled in clear text are inserted in the swing-out compartment at the front of the VISONIK BPS. There are: <ul style="list-style-type: none"> – plant-specific project cards created for the operator – general-use service cards for system technicians
PC operation	The L&S-Software „New VISOTOOL Editor” is loaded on a PC which can be connected to the tool interface via an adapter on the BPS front. This allows for the following: <ul style="list-style-type: none"> – menu-guided operation by the operator – COLBAS operation by the system technician

POP Cards

The following example shows how an operator uses the plant-specific POP Cards. The same operating principles also apply to service cards.

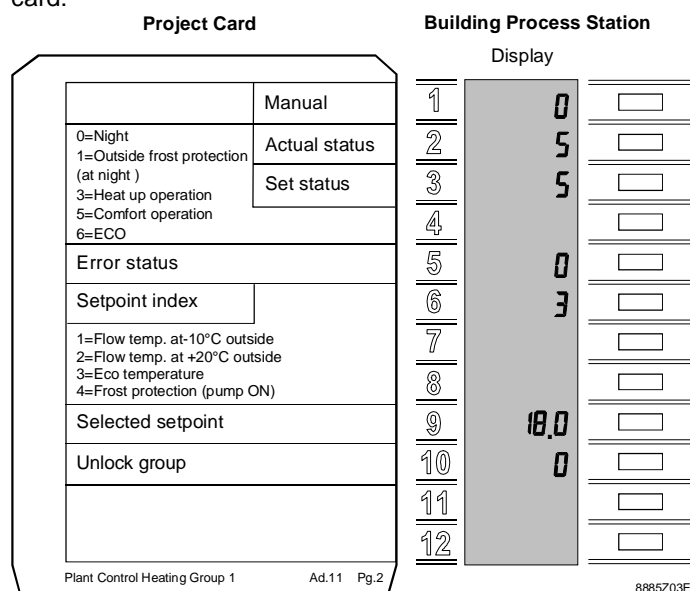
Example

If so specified in the order, 2 to 3 project cards are created for each plant or group as shown below for a heating group:



„Plant control“ card

For operation, the card is inserted in the compartment at the front of the unit. After the compartment has been closed, the VISONIK BPS makes available the functions of the card and indicates the associated values as shown below based on the „Plant control“ card:



Functions of the „Plant control“ card

The above card allows for reading and changing the following values:

Value	Explanation
Manual	Plant is in automatic mode (display 0). Changeover to manual operation is possible by entering 1.
Actual status	Display of the actual plant operation mode (here: 5 for Comfort mode).
Set status	In manual mode, the operating modes listed in small print can be activated, e.g., 6 for ECO mode.
Error status	Display 0: Plant runs normally Other values: As per the back page of card or plant description
Setpoint index	Selection to change setpoint. Here: 3 for ECO temperature.
Selected setpoint	The previously selected setpoint can be read and changed; (here: 18).
Unlock group	To unlock the group following a fault (possible only after fault has been acknowledged).

Operation using other cards follows the same method. For example: creating a timeswitch program using the „Timer“ card.

Menu-guided operation

Menu-guided operation in the VISONIK BPS uses dialog procedures. A selection is always displayed on-screen. The selection contains other menus as well as changeable states and values. The following screenshots provide an overview of both functionality and operation.

The main menu

After establishing connection and entering the password for KEY1 or KEY2, the BPS opens the main menu. The desired submenu can then be selected by entering the associated number or letter:

```
OpD      11:41:53      B P S   O P E R A T I N G   D I A L O G      17-JUL-1996/WE
MENU      Q           End
          1           Group1      North heating
          1           Group2      South heating
          2           Group3      Office air cond.
          P           Reports
          S           Special days SDC
OpD      11:41:53      B P S   O P E R A T I N G   D I A L O G      17-JUL-1996/WE
Select ...:
```

Group menu functions

The following picture shows the group menu for group 3 „AirCondOffice“. Enter all operations for this plant in this menu: From plant control to setpoint adjustments to changes of the timeswitch program.

```
OpD      16:18:42      B P S   O P E R A T I N G   D I A L O G      17-JUL-1996/WE
MENU      * Group 3  AirCondOffice *
Q         Quit
1         Control Auto                Actual Status  Off
2         Setpoints/Defaults
          Heating                    20 / 12 degrees C
          Cooling                    22 / 28 degrees C
2         Parameter
          Supply Air, minimum        16          degrees C
3         Unlock Group
4         Refresh Screen
5         Weekday Catalogue          WDC
6         Exception Catalogue        EXC
7         Todays Op. Time Change     RTC
OpD      16:18:13      B P S   O P E R A T I N G   D I A L O G      17-JUL-1996/WE
Select ...:
```

Example: Control and operating state

The operating dialog for changing plant control and operating state is used in this example. The plant is to be set from „Auto/OFF“ to „Manual/ON“:

1. Select control

After entering <1> in the group menu, the following selection appears:

```
Q         Quit
1         Auto
2         Manual
Select...:
```

Entering <2> activates „Manual“

2. Change operating state

The possible operating states for manual control are now available:

```
Q         Quit
1         OFF
2         ON
3         Heating
Select...:
```

Entering <2> activates „ON“

After making the desired entries, the operating dialog displays the result in the group menu:

```
OpD      14:24:36      B P S - B E D I E N D I A L O G      12-APR-1998/MO
MENU      * Group 3  AirCondOffice *
Q         Back
1         Manual Control                Actual status  ON
                                           Set status    ON
```

Requirements

The system technician installs menu-guided operation on commissioning, provided it was requested on ordering. This includes:

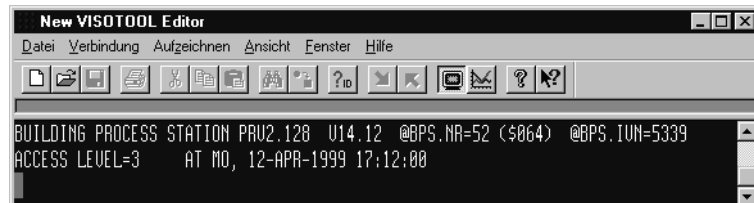
- Installation of the software „New VISOTOOL Editor“ on the respective PC
- Loading the operating program „BPS Operating Dialog“ in the BPS
- Entering password protection „KEY1“ and „KEY2“ in the BPS

Operation with COLBAS

Operation with COLBAS is intended primarily for system technicians. COLBAS stands for **C**ontrol-**O**riented **L**anguage for **B**uilding **A**utomation **S**ystems. This language was used for programming the VISONIK BPS control of the associated plants. Additionally, further commands are available for operation. The following are examples of such commands.

Requirement

For operation using COLBAS commands, a PC with the „New VISOTOOL Editor“ must be connected to the VISONIK BPS tool interface. After establishing connection and entering a valid password, the BPS is activated and commands can be entered at the cursor position:



8885001E

Examples

Below are a few examples for COLBAS commands. Entries are shown in bold print, BPS replies in normal print.

Show plant

After activating the BPS, entering „DIR“ creates an overview:

Entry/Display	Comment
DIR	This BPS contains three program parts (TSK10 ... TSK30) for the indicated plants.
TSK10 : -- Heat generation	
TSK20 : -- Heating, Group North	
TSK30 : -- Heating, Group South	

Change weekday calendar WDC

The timeswitch catalogues of the plants can be changed by using the integrated editor:

Entry/Display	Comment
LIST DST1.WDC	The existing weekday catalogue WDC for destination DST1 (here: plant „Heating Group North“) is displayed.
.DST1.WDC 1 MO..FR !08:00..22:00 !1	
EDIT DST1.WDC	The occupancy hours are changed to 07:00 to 20:00. The associated line is newly entered.
DST1.WDC EDITOR 1 MO..FR, 07:00..20:00, 1	

Read/change points and parameters

The integrated operating task of the BPS (TSK203) allows for calling up and changing (depending on access right) the values of physical and virtual data points merely by entering address and parameter:

Entry/Display	Comment
\$015.AI TSK203 17.8	Calling up of the current value of analogue input AI for point address \$015. Response TSK203: 17.8
RGB1.KREG TSK203 4 RGB1.KREG:=3	Calling up of proportional amplification KREG of controller block 1 (Response TSK203: 4) and change to 3, e.g., on commissioning

Additional information

Refer to the following documents for more information on operating the VISONIK BPS:

Document no.	Title
CM2B8301E	Building Process Station BPS, operating instructions
CM2B8361E	User's Guide „New VISOTOOL Editor“