

OpenAir™

Interlocking plate for fire protection applications

ASK79.1/...

Mechanical safety device

- **Rigid connection to the damper's shaft**
- **Correct functioning guaranteed up to 1,200 °C**
- **Interlocking mechanically irreversible**

Use

The patented ASK79.1/... interlocking plate is used in connection with fire protection dampers. It is designed for rigid connection to the damper's shaft. Whenever the plate reaches a temperature of about 90 °C, it interlocks the shaft mechanically and irreversibly. Correct functioning is ensured up to 1,200 °C. The device is designed for one-time use under high temperature conditions and must be replaced after a fire has occurred. The ASK79.1 has been designed for use with OpenAir™ spring return damper actuators type GGA126.1E... (AC 24 V) and GGA326.1E... (AC 230 V) supplied by HVAC Products.

Summary of types

Damper shaft	Type reference
8 x 8 mm	ASK79.1/08
10 x 10 mm	ASK79.1/10
12 x 12 mm	ASK79.1/12
15 x 15 mm	ASK79.1/15

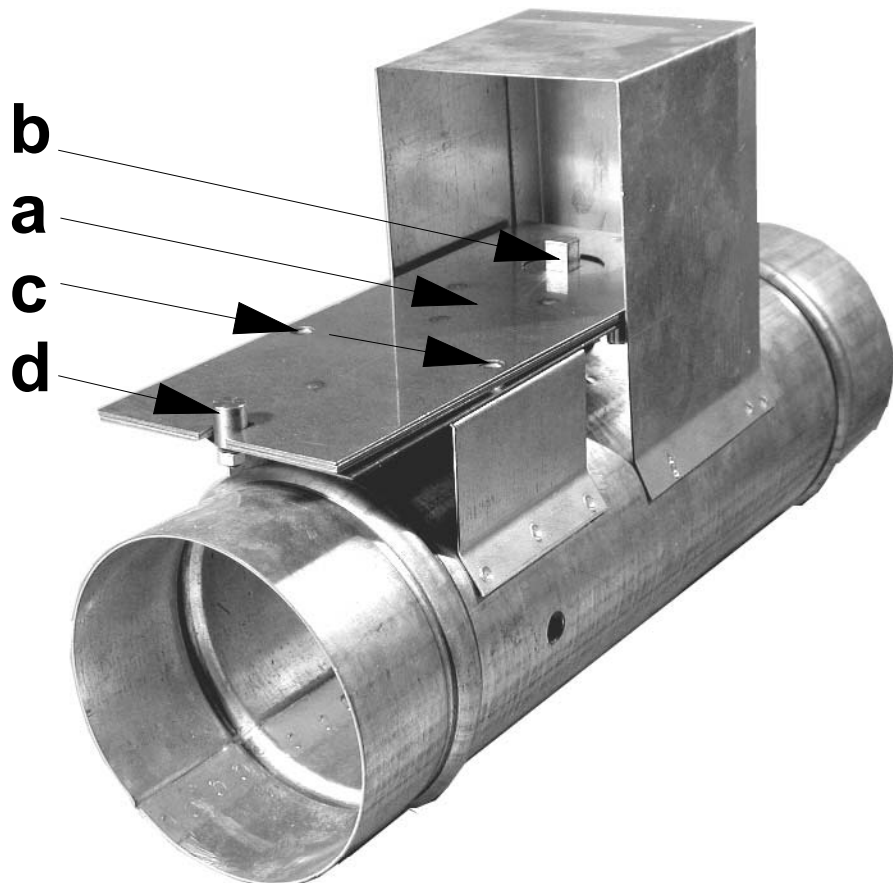
Mounting

The interlocking plate is suited for fire protection dampers with clockwise or counter-clockwise rotation.

Markings 0 ° and 90 ° are visible / direction of rotation 0 ° to 90 ° opened
(see also Dimensions)

Mounting without damper actuator

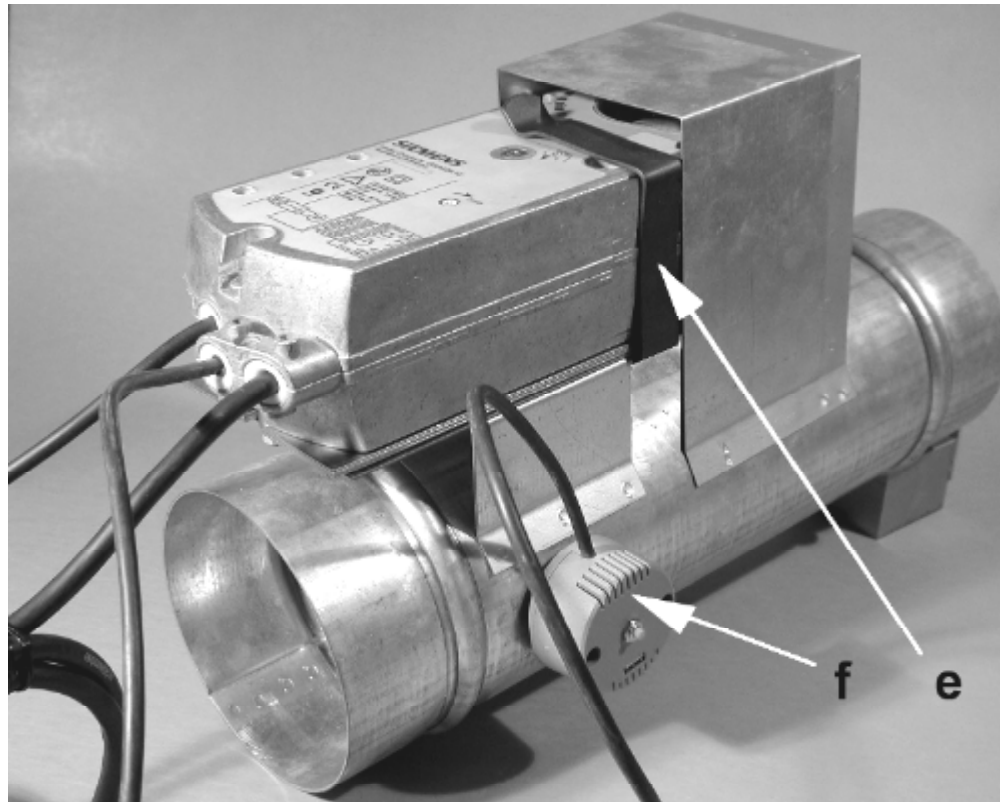
Place the interlocking plate over the shaft (observe direction of rotation) and secure it with 2 countersunk head sheet metal screws St 3.9x13 directly to the fire protection damper.



- a ASK79.1/... interlocking plate
- b Damper shaft 8x8, 10x10, 12x12 or 15x15 mm
- c 2 fixing holes for countersunk head sheet metal screw St 3.9x13 (DIN7504/7982)
- d Securing pin (delivered with shaft adapter)

**Mounting with spring
return damper
actuator**

Place the actuator over the shaft and put it on the plate. Use the spring clamp to secure both items to the fire protection damper. A pin at the end of the damper casing ensures that the plate and the spring return actuator cannot turn.



- e Spring clamp
- f Thermal fuse ASK79.2



To ensure correct functioning of the safety device, make certain that the plate **will not be bent during installation!**

Dimensions

