

BSG-U1 Universal setpoint adjuster



BSG-U1

Application

Used for setpoint adjustment in the INTEGRAL RS (universal input) and PRONTO IRC PRFB, PRFB-D control systems.

Technical data

Nominal resistance range:	2000 ... 3000 Ω
Protection class	III (⊕)
Protection standard (built-in)	IP42 to IEC529
Ambient temperature:	
Operation	0 ... 55 °C
Storage	-25 ... 70 °C
Ambient humidity	< 95 %rh, non-condensing
Max. length of cable between BSG-U1 and controller	1.0 mm ² CU: 110 m 1.5 mm ² CU: 170 m

Principle of operation

The BSG-U1 universal setpoint adjuster is a passive (variable resistance) device which allows:

- Setpoint adjustment according to the particular range and physical units required, as scaled within the INTEGRAL RS controllers (RSM, RSC, RSA).
- ± 3.5 °C adjustment of the nominal setpoint value as programmed into the PRONTO IRC controllers PRFB and PRFB-D.

Construction

Multi-part plastic housing, comprising:

- Cover plate and rotary knob with (replaceable) scale plate
- Electronic printed circuit board with potentiometer and connection terminals.

Mounting instructions are supplied with the device.

BSG-U1 scale plates

Scale	Range				Order No.
	Phys. variable	Side 1	Ω	Side 2	
Temperature	-3.5 ... 3.5 °C	2061 ... 2901	0 ... 200 K	2013 ... 2949	22782*
Temperature	-20 ... 40 °C	2013 ... 2949	0 ... 100 %	2013 ... 2949	22803*
Temperature	16 ... 32 °C	2013 ... 2949	20 ... 120 °C	2013 ... 2949	22805*
Humidity	0 ... 100 %rh	2013 ... 2949	4.5 ... 24 g/kg	2013 ... 2949	22827*
Air quality	0 ... 10 AQU	2013 ... 2949	0 ... 2000 ppm	2013 ... 2949	22837*
Pressure	0 ... 100 Pa	2013 ... 2949	0 ... 300 Pa	2013 ... 2949	22844**
Pressure	0 ... 1000 Pa	2013 ... 2949	0 ... 40 bar	2013 ... 2949	22815**
Pressure	0 ... 1 bar	2013 ... 2949	0 ... 2 bar	2013 ... 2949	22842**
Pressure	0 ... 5 bar	2013 ... 2949	0 ... 10 bar	2013 ... 2949	23003**
Pressure	0 ... 16 bar	2013 ... 2949	0 ... 25 bar	2013 ... 2949	23004**
Pressure	0 ... 10 kPa	2013 ... 2949	0 ... 20 kPa	2013 ... 2949	23005**
Pressure	0 ... 50 kPa	2013 ... 2949	0 ... 100 kPa	2013 ... 2949	23006**
Air velocity/ Solar rad.	0 ... 15 m/s	2013 ... 2949	0 ... 2000 W/m ²	2013 ... 2949	22843**

Ordering example:

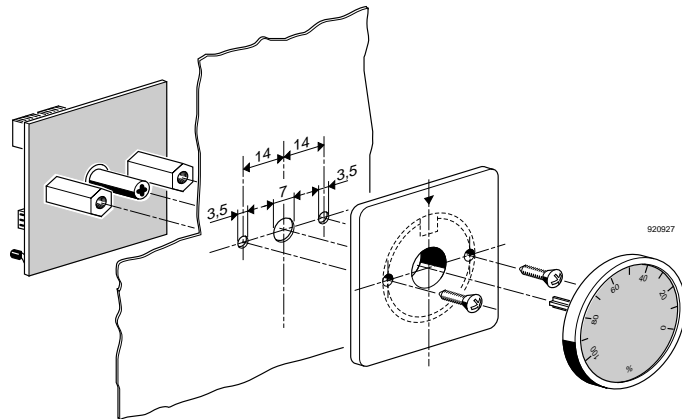
BSG-U1 (Universal setpoint adjuster)
23003 (0 ... 10 bar scale)

* enclosed or fitted

** must be ordered separately

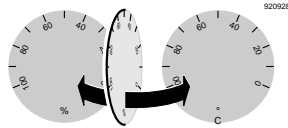
Mounting

The BSG-U1 is suitable for mounting on control panels, in control panel doors, on terminal units or on flush-mounting boxes (on cover plate).

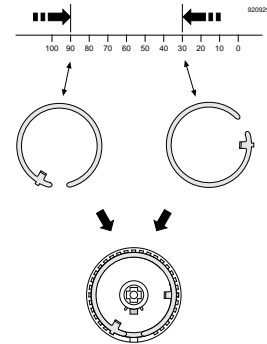
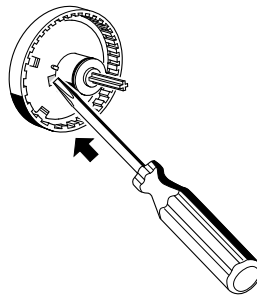


Commissioning

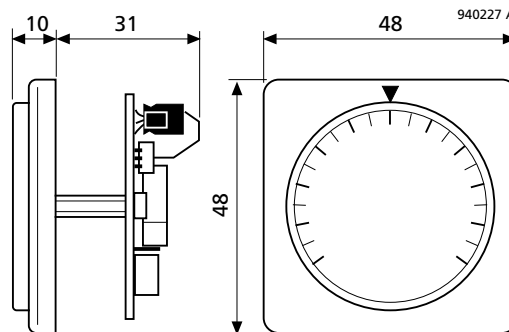
Check and fit the appropriate scale plate. Reverse where necessary.



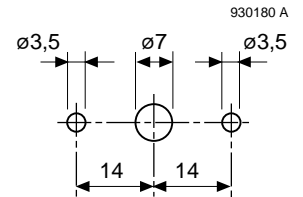
Rotation can be limited mechanically to the desired range by moving the two adjustable rings at the back of the rotary knob (see mounting instructions).



Dimensions [mm]

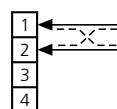


Drilling diagram



Terminal layout

BSG-U1 93.00807



--- Interchangeable wires