

Housing dimensions and mounting instructions for type PB.. room operating units

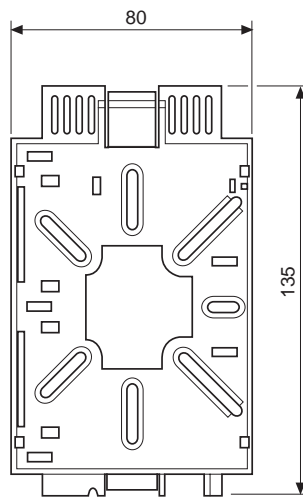
Two-part plastic housing comprising a base unit (type PB1, PB2 or PB3) with connection terminals and the plug-in PB.. electronic assembly. Recyclable transparent cover (PET) for temporary protection of the base unit after mounting.



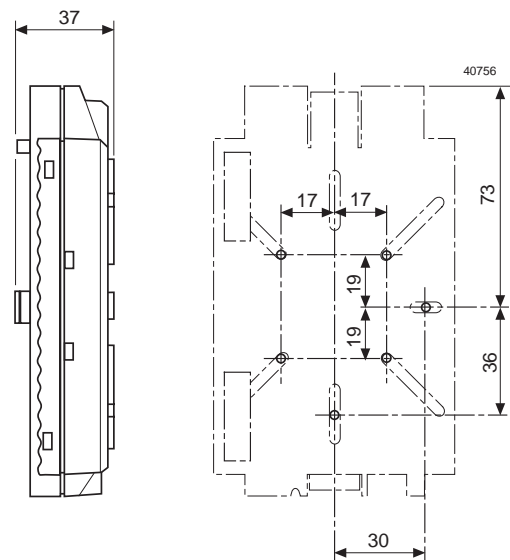
Technical data

Materials	
Housing	Lexan 940 VO
Protective cover	Polystyrol (for safe disposal by burning)
Dimensions (w x h x d)	80 x 135 x 37 mm
Colour	NCS 0003-R20B

Dimensions



Dimensions (mm)



PB1, PB2, PB3 drilling diagram

Mounting

The room operating unit may be flush-mounted on a wall box or screwed directly to the wall.

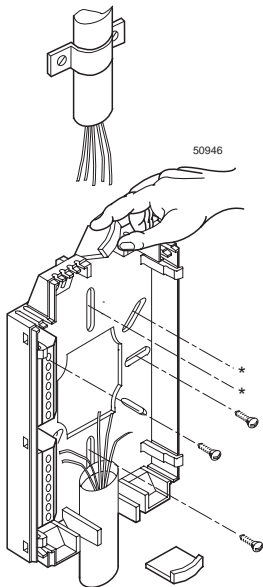
If the built-in temperature sensor is to be used, note the following:

- Install in the room at approximately 1.5 m above floor level and at least 0.5 m from the adjacent wall.
- Avoid locations where the operating unit will be exposed to direct sunlight.
- Do not install on external walls, in recesses, behind curtains or near chimneys, doors or lamps.

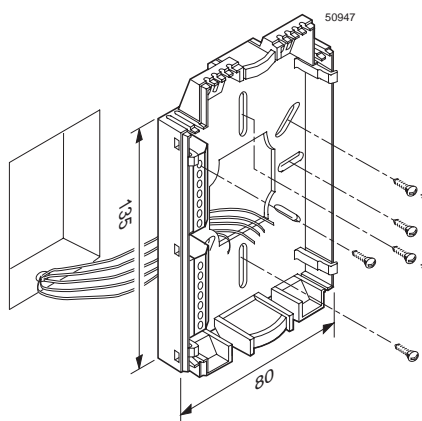
Mounting the base unit

- Check that the mounting surface is smooth and even
- Mount and wire the base unit
- Fit the transparent protective cover

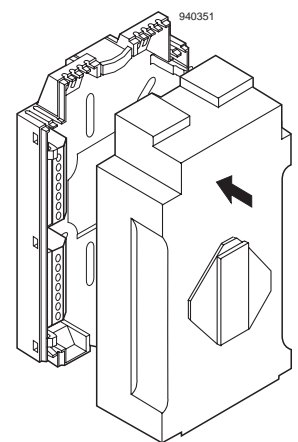
The temporary transparent cover (recyclable PET) protects the base unit from dirt and damage after mounting and wiring. This protective cover should be kept in place until the controller is commissioned. The electronic assembly should be fitted only at the commissioning stage.



Surface mounting



Flush mounting (with wall box)



Fit protective cover

* Note: These slots must not be used when mounting the PBAS.

Fitting and removing the electronic assembly

Special care is required when fitting the electronic assembly to the base unit, to avoid damaging the pins connecting the printed circuit board to the terminals.

To remove the electronic assembly, release the four forward clips with a No. 2 screwdriver.

