

Graphic symbols

for Electrical Circuit Diagrams

Description	Code IEC/DIN	Symbol
Variability, inherent (e.g. sensor)	02 03 03	
Adjustability	02 03 05	
Variability in steps Stepping action	02 03 07	
Propagation, both ways	02 05 02	
Transmission	02 05 04	
Reception	02 05 05	
Thermal effect	02 08 01	
Electromagnetic effect	02 08 02	
Keyboard	02 11 05	
Fascimile	02 11 06	
Mechanical connection (link) Form 1	02 12 01	
Mechanical connection (link) Form 2	02 12 04	
Delayed action; movement dir. from arc towards its centre.	02 12 05	
Delayed action; movement dir. from arc towards its centre.	02 12 06	
Automatic return	02 12 07	
Detent Non-automatic return	02 12 10	
Latching device, engaged	02 12 13	

Description	Code IEC/DIN	Symbol
Blocking device	02 12 14	
Manually operated control, general case	02 13 01	
Operated by turning	02 13 04	
Operated by pushing	02 13 05	
Operated by proximity effect	02 13 06	
Operated by touching	02 13 07	
Emergency switch	02 13 08	
Operated by key	02 13 13	
Control by fluid level	02 14 01	
Earth, general symbol	02 15 01	
Changer, general symbol	02 17 06	
Conductor	03 01 01	
Three conductors Form 1	03 01 02	
Three conductors Form 2	03 01 03	
Screened conductor	03 01 07	
Twisted conductors, two conductors shown	03 01 08	
Conductors in a cable, three conductors shown	03 01 09	

0113201E

Description	Code IEC/DIN	Symbol
Coaxial pair	03 01 11	
Terminal strip	03 02 03	
Junction of conductors Form 1	03 02 04	
Junction of conductors Form 2	03 02 05	
Double junction of conductors Form 1	03 02 06	
Double junction of conductors Form 2	03 02 07	
Connection common to a group of similar items.	03 02 09	
Plug and socket	03 03 05	
Resistor, general symbol	04 01 01	
Potentiometer with sliding contact	04 01 07	
Potentiometer, pre.set	04 01 08	
Capacitor, general symbol	04 02 01	
Winding	04 03 02	
Semiconductor diode, general symbol	05 03 01	
Light emitting diode, general symbol	05 03 02	
Photo-conductive device with symmetrical conductivity	05 06 01	
Photodiode	05 06 02	
Photovoltaic cell	05 06 03	
Hall generator	05 06 05	
Machine, general symbol *M=motor G=generator	06 04 01	
Induction motor, three phase	06 08 01	

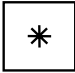
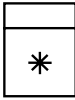
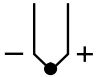
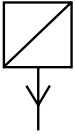
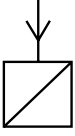
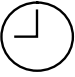

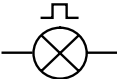
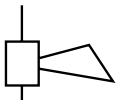




Description	Code IEC/DIN	Symbol
Transformer with two windings	06 09 01	
Primary cell or accumulator long line = positive pole short line = negative pole	06 15 01	
Photovoltaic generator	06 18 06	
Automatic release function	07 01 05	
Make contact	07 02 01	
Break contact	07 02 03	
Change-over break before make contact	07 02 04	
Two-way contact with centre-off position	07 02 05	
Change-over make before break contact (bridging)	07 02 06	
Passing make contact closing momentarily when its operating device is actuated.	07 03 01	
Passing make contact closing momentarily when its operating device is released.	07 03 02	
Passing make contact closing momentarily when its operating device is actuated or released.	07 03 03	



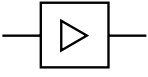
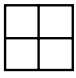
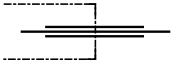
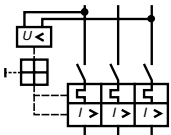




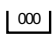

0113Z02E

Description	Code IEC/DIN	Symbol
Make contact early to close rel. to other assembly contacts.	07 04 01	
Make contact late to close rel. to other assembly contacts.	07 04 02	
Break contact late to close rel. to other assembly contacts.	07 04 03	
Break contact early to close rel. to other assembly contacts.	07 04 04	
Manually operated switch, general symbol	07 07 01	
Push-button switch (non-locking)	07 07 02	
Pull-switch (non-locking)	07 07 03	
Turn-switch (locking)	07 07 04	
Self-operating thermal switch, break contact	07 09 03	
Self operating thermal switch break contact of athermal relay	07 09 03	
Single-pole n-position switch, shown for n = 6	07 11 04	
Single-pole n-position switch, alternative for use when n is small, shown for n = 4	07 11 05	

Description	Code IEC/DIN	Symbol
Single-pole n-position switch, with position diagram shown for n = 6	07 11 06	
Four-position switch, manually operated, having four independent circuits	07 11 07	
Complex switch, general symbol	07 12 01	
Switch (mechanical) general symbol	07 13 01	
Contactors (contact open in the unoperated position)	07 13 02	
Contactors (contact closed in the unoperated position)	07 13 04	
Operating device, general symbol	07 15 01	
Relay coil of a slow-releasing relay	07 15 07	
Relay coil of a slow-operating relay	07 15 08	
Actuating device of a thermal relay	07 15 21	
Proximity sensor	07 19 01	
Fuse, general symbol	07 21 01	
Indicating instrument * V = Volt A = Ampère	08 01 01	

0113Z03E

Description	Code IEC/DIN	Symbol
Recording instrument * w = wattmeter	08 01 02	
Integrating instrument * h hour meter kWh = kilowatt-hour meter	08 01 03	
Thermocouple	08 06 01	
Telemetry transmitter	08 07 02	
Telemetry receiver	08 07 03	
Clock, general symbol	08 08 01	
Lamp, general symbol RD = red, YE = yellow, GN = green	08 10 01	
Signal lamp, flashing type	08 10 02	
Horn	08 10 05	
Bell	08 10 06	
Siren	08 10 09	
Buzzer	08 10 10	
Tape or film type	09 08 06	

Description	Code IEC/DIN	Symbol
Antenna, general symbol	10 04 01	
Puls inverter	10 14 05	
Amplifier, general symbol	10 15 02	
Latching mechanism with mechanical release	*102 05 04	
Cable penetration	*103 04 01	
Motor protecting contactor; 3-pin with thermic + magnetic overcurrent and undervoltage releases	*107 05 01	
Motor protecting contactor; 3-pin with thermic + magnetic release	*107 05 06	
Residual - current - operated - circuit - breaker (r.c.c.b.)	*107 05 07	
Circuit breaker	*107 05 08	
Display, general	*108 03 01	
Display, digital	*108 03 02	
Connection or junction box	11 12 05	

* Not yet IEC - defined

0113Z04E