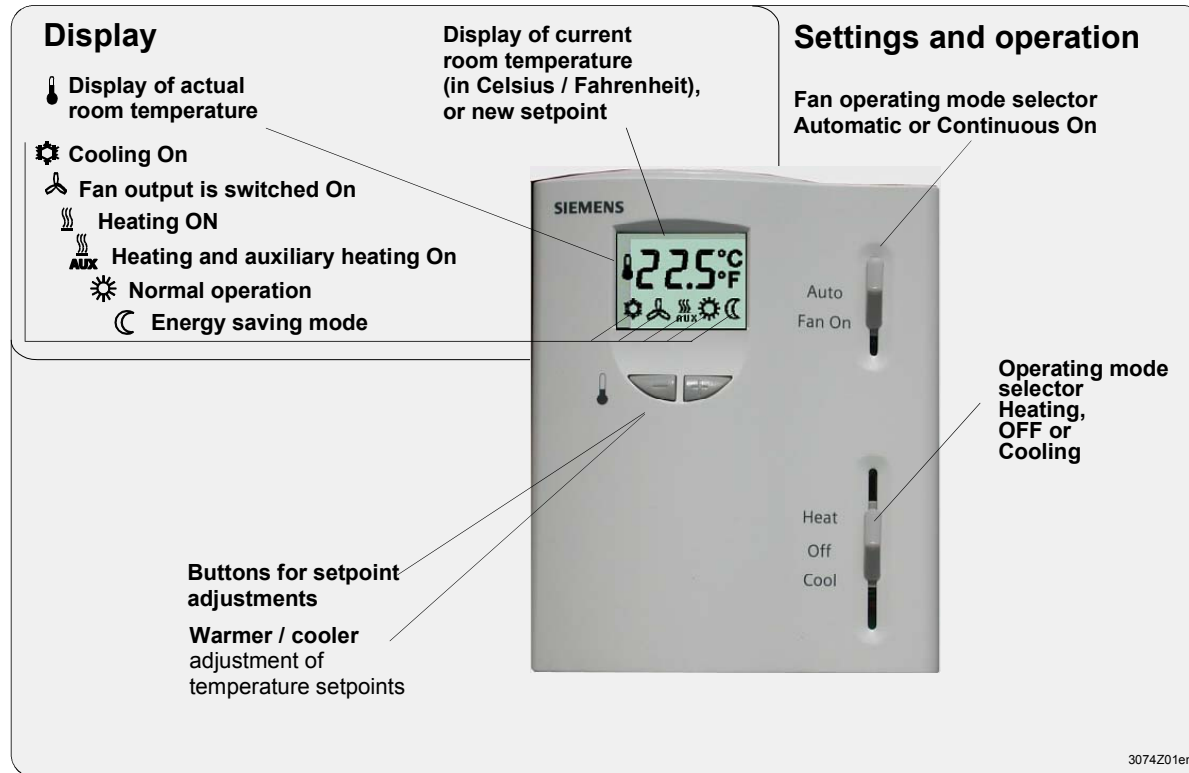


en Operating Instructions

RDX...

RDX... – the temperature controller that allows you to easily set the room temperature you want. You have 2 choices. You can either rely on the factory settings or make adjustments that suit your individual needs.



Are your rooms too warm or too cold?

	<p>Normal operation / </p> <p>The + / - buttons allow you to increase or decrease the current room temperature setpoint in steps of 0.5 °C. To do this, proceed as follows:</p> <ul style="list-style-type: none"> Press or once → The setpoint display starts flashing Press the buttons again to change the room temperature setpoint <p>10 seconds after the last press, the new temperature setpoint will automatically be stored. The display stops flashing.</p>
--	--

Changing from heating to cooling mode

/ OFF /	<p>With the manual changeover, modes can be selected from heating mode, Off to cooling mode. Off = not in operation.</p>
	<p>Display shows that the heating output is active</p>
AUX	<p>Display shows that the heating and auxiliary heating outputs are both active</p>
	<p>Display shows that the cooling output is active</p>

Changing the fan operating mode from Automatic to Continuous On

Auto	The fan output is switched on when the heating or cooling output is activated
Fan On	The fan output is switched on permanently

Changing from normal operation to energy saving mode

/	<p>Changeover from normal operation to energy saving mode takes place automatically via an external contact (window switch / remote operation switch, etc.). (Function inactive if the Heat-Off- Cool switch is in the Off position)</p>
	<p>Display shows normal operation.</p>
	<p>Display shows energy saving mode.</p>

Energy saving mode

	<p>If you want to change the factory-set temperature setpoints (16 °C for heating and 28 °C for cooling), follow the procedure given below (“Changing the control parameters”).</p> <p>Important: The setpoint of energy saving mode can be set to Off. This means that the controller is not active in energy saving mode and the parameter display shows Off.</p> <p> Risk of frost!</p>
--	--

Commissioning (by qualified HVAC staff)

Parameter		Setting range	Factory setting	User setting (Please record all changes you make)
P01	Setpoint of heating in energy saving mode (operating mode changeover switch activated)	OFF, 8...18 °C in increments of 0,5 K	16 °C	
P02	Setpoint of cooling in energy saving mode (operating mode changeover switch activated)	OFF, 24...35 °C in increments of 0,5 K	28 °C	
P03	Minimum setpoint limitation in normal mode	8... 20 °C in increments of 1 K	8 °C	
P04	Maximum setpoint limitation in normal mode	21...35 °C in increments of 1 K	35 °C	
P05	Minimum compressor off-time, outputs Y14, Y24 (heat pump)	1...10 Minutes (in increments of 1 Min.)	3 Min.	
P06	Minimum compressor on-time, outputs Y14, Y24 (heat pump)	1...10 Minutes (in increments of 1 Min.)	1 Min.	
P07	Auxiliary heater minimum hold time	1...10 Minutes (in increments of 1 Min.)	1 Min.	
P08	Fan overrun after auxiliary heater shut down	30...300 Seconds (in increments of 10 Sec.)	30 Sec.	
P09	Sensor calibration	-3...+3 K in increments of 0,5 K	0 K	
P10	P-band in heating mode	0.5...+4 K in increments of 0,5 K	2 K	
P11	P-band in cooling mode	0.5...+4 K in increments of 0,5 K	1 K	
P12	Setpoint differential between heating and auxiliary heating	0.5...+5 K in increments of 0,5 K	2 K	
P13	Value of current room temperature (only display, no setting)	0...49 °C	-	
P14	Active temperature sensor (only display, no setting)	1: Room temperature sensor active 2: Remote temperature sensor active	-	


Changing the control parameters

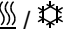
To optimize the control performance, a number of control parameters can be adjusted. This can also be made during operation without opening the controller.

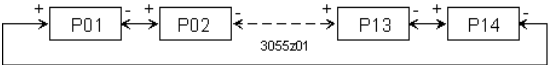
Do you want to change the control parameters of the heating and / or cooling setpoints in the normal or energy saving mode? Or do you want to increase / decrease the switching differential in heating and cooling mode?

Then, proceed as follows:

(For factory settings, see above under "Commissioning")




- Normal operation mode 
- Press the + and – buttons simultaneously for a min. of 3 and a max. of 5 seconds. Release them and within 2 seconds, press the + button again for 3 seconds. The display will show "P01".
- Select the required parameter by repeatedly pressing the + or – button:


- Press the + and – buttons simultaneously, the current value of the selected parameter appears, which can be changed by repeatedly pressing the + or – button.
- By pressing buttons + and - simultaneously again or 5 seconds after the last press of a button, the last parameter will be displayed again.
- If you wish to display and change additional parameters, repeat steps 3 through 5.
- 10 seconds after the last display or setting, all changes will be stored.

Sensor calibration

If the room temperature displayed by the controller does not match with the temperature effectively measured, the temperature sensor can be recalibrated. For that purpose, parameter P09 must be changed



Proceed as described under "Changing the control parameters" and follow steps 1 through 3 to select parameter P09.

With step 4, the room temperature displayed can now be matched to the temperature effectively measured. Each push of the + or – button changes the temperature by + or – 0.5 °C up to a maximum of + / - 3 °C. With step 7, the recalibration is automatically stored 10 seconds after the last readjustment..

DIP-switch setting

DIP-switch	Function	Position ON (Factory setting)	Position OFF
1	Operating action of remote ON/OFF switch	Changeover activated when switch is closed (N.O.)	Changeover activated when switch is open (N.C.)
2	Auxiliary heat function	No auxiliary heater connected	Auxiliary heater connected
3	Display of temperature/setpoint	Room temperature	Temperature setpoint