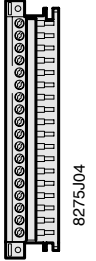
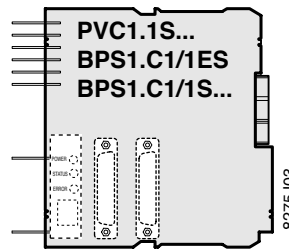
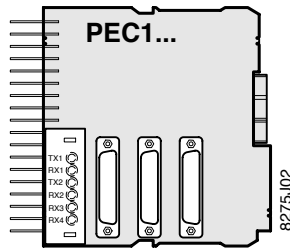
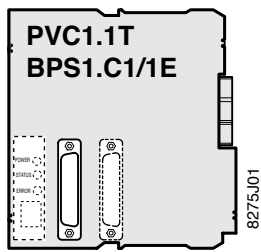


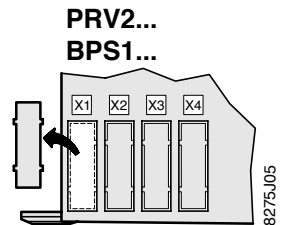
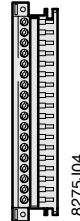
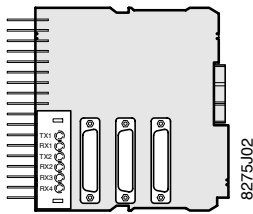
- de** Montageanleitung
- en** Mounting instructions
- fr** Instructions de montage
- sv** Monteringsinstruktion
- nl** Montage-handleiding
- it** Istruzioni di montaggio
- fi** Asennusohje
- es** Instrucciones de montaje
- da** Monteringsvejledning

- Kommunikations-Einschub COM1**
- Communication card COM1**
- Carte communication COM1**
- Kommunikationskort COM1**
- Communicatie interface COM1**
- Scheda di comunicazione COM1**
- Tiedonsiirtokotti COM1**
- Tarjeta de comunicaciòn COM1**
- Kommunikationsmodul COM1**

P... C1...
BPS1.C1/...



A

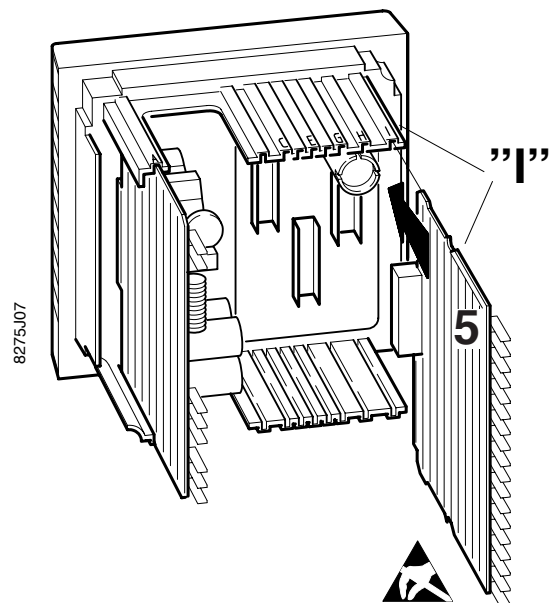
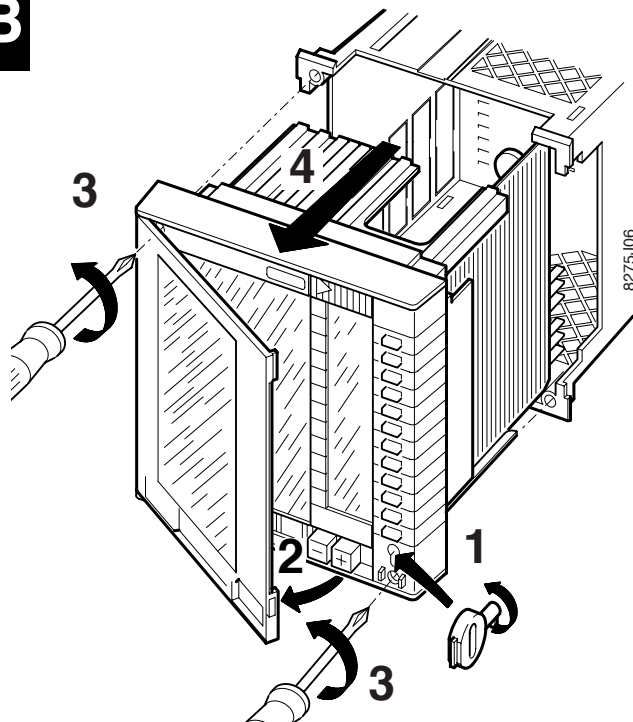


- PEC 1.1 UFPT
- PEC 1.2 FPT
- PVC 1.1 T
- PVC 1.1 S
- PVC 1.1 ST
- BPS1.C1/1E
- BPS1.C1/1ES
- BPS1.C1/1S
- BPS1.C1/1ST

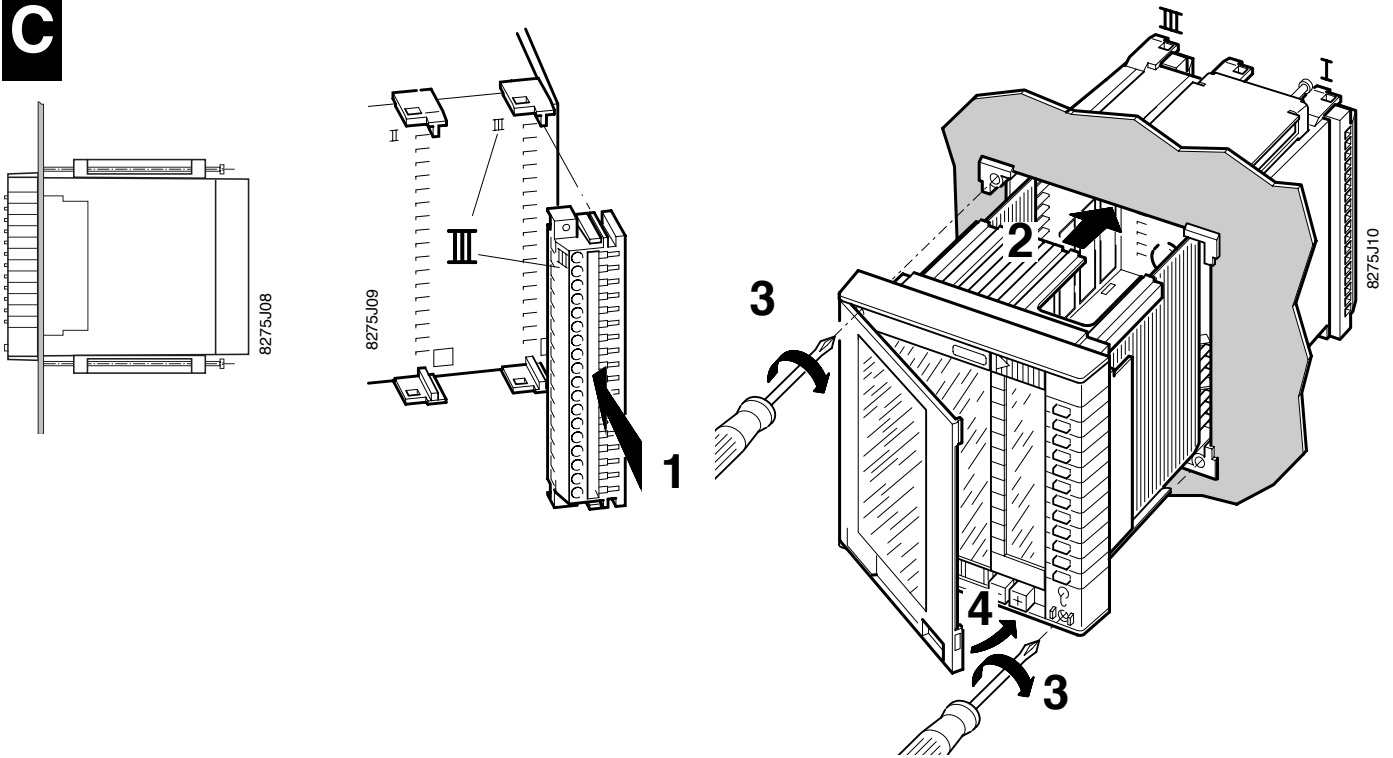
- PEX 1.1 UF
- PEX 1.1 UF
-
- PVX 1.1 C
- PVX 1.1 C
-
- PVX1.1C
- PVX1.1C
- PVX1.1C

	X1	X2	X3	X4
	X1	X2	X3	X4
	-	X2	X3	-
	-	-	-	-
	-	X2	X3	-
	X1	X2	-	-
	X1	X2	-	-
	-	-	-	-
	-	X2	X3	-

B



C



C1

