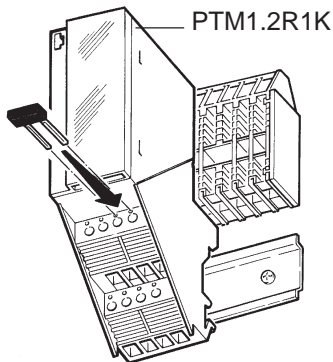


de Montageanleitung
en Mounting instructions

Shunt
Shunt

PTR1.2200



Shunt

PTR1.2200 2200 Ω

© 1999 Siemens Building Technologies Ltd.