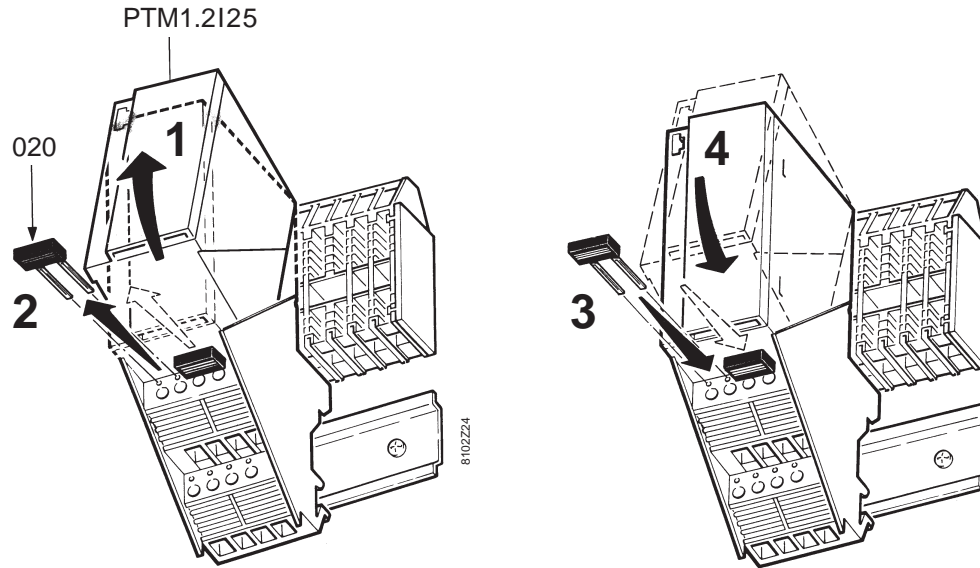


**de** Montageanleitung  
**en** Mounting instructions

**Shunts**  
**Shunts**

# PTR1...



### Shunts

PTR1.105	1... 5 mA
PTR1.010	0...10 mA
PTR1.020	0...20 mA
PTR1.025	0...25 mA