

Heating controller

Installation Instructions

RVL471

1 Installation

1.1 Place of installation

- In a dry room, e.g. the boiler room
- Mounting choices:
 - In a control panel (on the inner wall or on a DIN mounting rail)
 - On a panel
 - In the control panel front
 - In the sloping front of a control desk
- Permissible ambient temperature: 0...50 °C

1.2 Electrical installation

- Local regulations for electrical installations must be complied with
- Cable strain relief must be provided
- Cables from the controller to the actuator and the pump carry mains voltage
- Cables to the sensors should not be run parallel to mains carrying cable (e.g. power supply for the pump)

1.3 Permissible cable lengths

- For all sensors, thermostats and external contacts:

Copper cable 0.6 mm dia	max. 20 m
Copper cable 1.0 mm ²	max. 80 m
Copper cable 1.5 mm ²	max. 120 m
- For the room units:

Copper cable 0.25 mm ²	max. 25 m
Copper cable 0.5 mm ²	max. 50 m
- For the data bus: refer to data sheets N2030E and N2032E

1.4 Mounting and wiring the base

1.4.1 Wall mounting

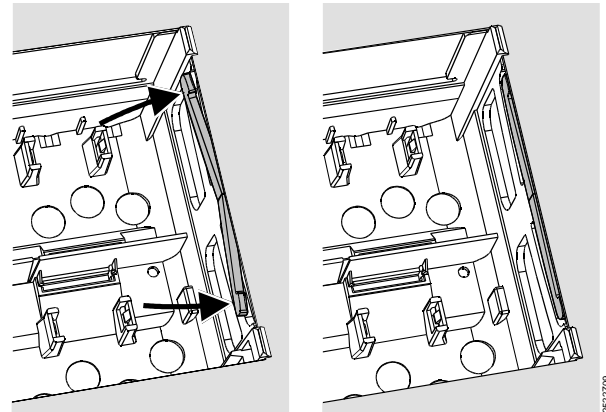
1. Separate base from the controller.
2. Hold base against the wall. Marking TOP must be at the top!
3. Mark fixing holes on the wall.
4. Drill holes.
5. If required, knock out holes on the base for cable entry glands.
6. Screw base to the wall.
7. Wire up base.

1.4.2 DIN rail mounting

1. Fit rail.
2. Separate base from the controller.
3. If required, knock out holes on the base for cable entry glands.
4. Fit base to the rail. Marking TOP must be at the top!
5. If required, secure base (depending on the type of rail used).
6. Wire up base.

1.4.3 Flush panel mounting

- Panel cutout required: 138 x 138 mm (+1 mm / –0 mm)
 - Maximum thickness: 3 mm
1. Separate base from the controller.
 2. If required, knock out holes on the base for cable entry glands.
 3. Insert base in the panel cutout from behind until stop is reached. Marking TOP must be at the top!
 4. Push lateral tongues behind the front panel (refer to illustration).
 5. Wire up base. Make sure the cable lengths are such that there is sufficient space to open the control panel door.



Wrong

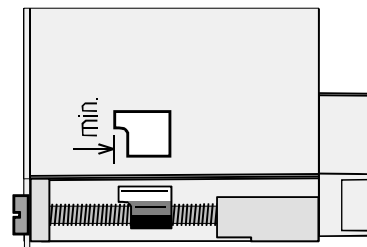
Correct

Place tongues correctly – they may not be inside the cutout!

2 Commissioning

2.1 Preparatory checks

1. DO NOT switch on power yet.
2. Check wiring according to the plant connection diagram.
3. Ensure correct position and location of levers by turning the fixing screws. Refer to illustration on the lateral wall of the controller:



4. Insert unit in the base until stop is reached. Marking TOP must be at the top!
5. Tighten fixing screws **alternately**.
6. Check controlling element (seat or slipper valve): See if
 - it is correctly installed (observe direction of flow indicated on the valve body)
 - the slipper travels in the correct angular range (note position indicator)
 - the hand lever is disengaged
7. Underfloor and ceiling heating systems:

The limit thermostat must be set to the correct value. During the functional test, the flow temperature may not exceed the maximum permissible level (usually 55 °C). If it does, proceed immediately as follows:

 - Either close the valve manually, or
 - Switch off the pump, or
 - Close the pump isolating valve
8. Switch on power. The display must show something (e.g. the time of day). If not, the reason may be one of the following:
 - No mains voltage present
 - Main fuse blown
 - Main switch not set to ON

2.2 General information about operation

- Setting elements:
 - Heating curve
 - Setting knob
 - Display; one operating line is assigned to each setting
 - Buttons for selecting and readjusting the values:
 - ▽ Selecting the next operating line below
 - ▲ Selecting the next operating line above
 - ◀ Decreasing the displayed value
 - ▶ Increasing the displayed value
- Adopting a setting value:

The setting value is adopted by selecting the next operating line (or: Press Info button or one of the operating mode buttons)
- Entering --: or --:-- :

Press ◀ or ▶ until the required display appears
- Block jump function:

To select a single operating line quickly, two button combinations can be used:

Press ▼ and ▶ for selecting the next line block above

Press ▼ and ◀ for selecting the next line block below

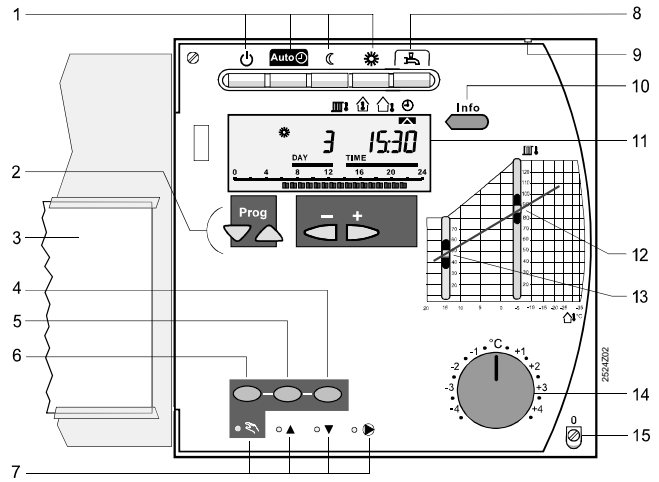
2.3 Setting procedure

1. Only with analog adjustment of heating curve: Adjust bar in agreement with the planning documentation or according to local practice.
2. Make settings on operating lines 1...41 (enduser) (table on page 3...4).
3. Select plant type on operating line 51 (page 4).
4. Make the required settings according to the following parameter list. All functions and operating lines required for the selected plant type will be activated and can be set. All operating lines that are not required are locked.
5. Enter the values set in the table!
6. Set the service functions, if required (independent of type of plant).
7. Carry out the final work.

2.4 Notes on commissioning and functional check

- Specific operating lines for the functional check:
 - 161 = simulation of outside temperature
 - 162 = relay test
 - 163 = sensor test
 - 164 = test of contacts H
- If the display shows ERROR: Query operating line 50 to pinpoint error

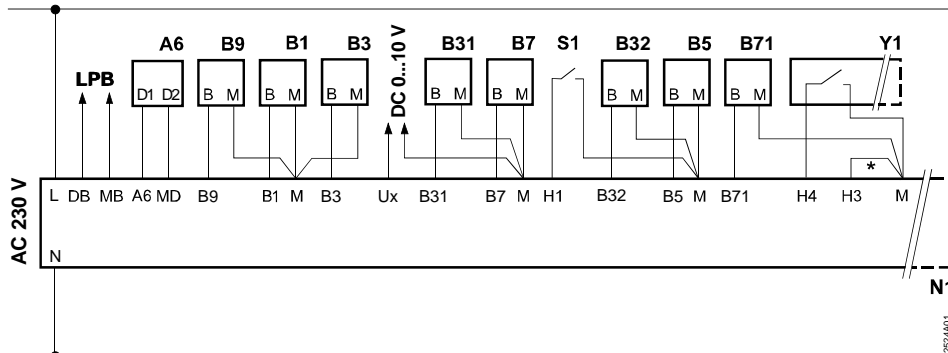
2.5 Setting elements



- 1 Operating mode buttons (selected button is lit)
- 2 Buttons for operating the display:
 - Prog** = selection of operating line
 - +** = adjustment of displayed value
- 3 Operating instructions
- 4 Button for «Close valve» or burner stage 2 ON / OFF in manual operation
- 5 Button for «Open valve» in manual operation
- 6 Button for manual operation
- 7 LEDs for:
 - Manual operation
 - ▲ Valve opens / burner stage 1 ON
 - ▼ Valve closes / burner stage 2 ON
 - Pump runs
- 8 Button for d.h.w. heating ON / OFF (ON = button lit)
- 9 Sealing facility in the cover
- 10 Info button for the display of actual values
- 11 Display (LCD)
- 12 Setting slider for flow temperature setpoint at an outside temperature of -5°C
- 13 Setting slider for flow temperature setpoint at an outside temperature of 15°C
- 14 Setting knob for readjustment of the room temperature
- 15 Fixing screw with sealing facility

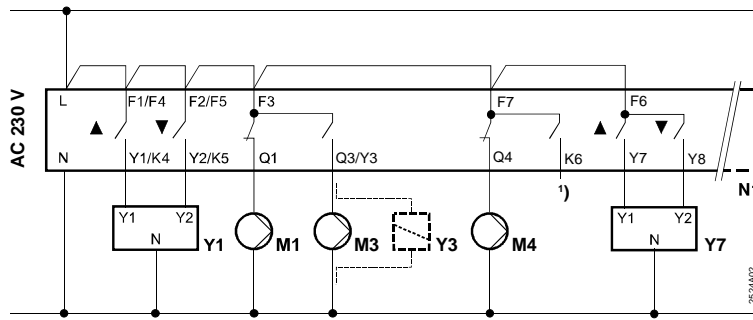
3 Connection diagrams

3.1 Basic connections on the low voltage side

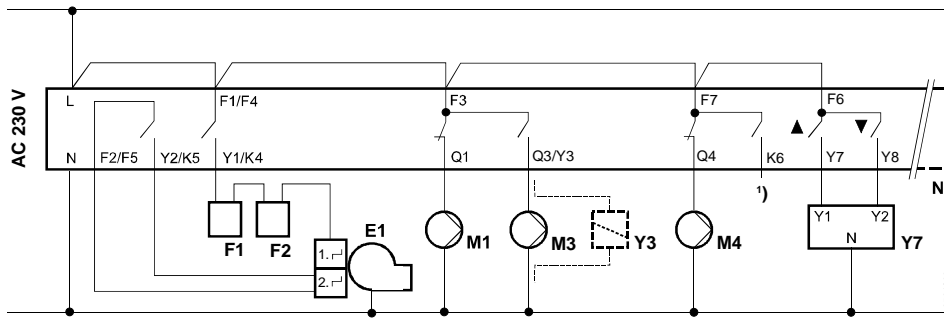


3.2 Basic connections on the mains voltage side

Connections for plant types with 3-position control (seat or slipper valve)



Connections for plant types with 2-position control (boiler with 2-stage burner)



- | | | | |
|-----|---|-----|--|
| A6 | Room unit QAW50 or QAW70 | LPB | Data bus |
| B1 | Flow or boiler temperature sensor | M1 | Heating circuit pump or circulating pump |
| B3 | Flow temperature sensor for d.h.w. | M3 | D.h.w. charging pump |
| B31 | D.h.w. tank temperature sensor / thermostat 1 | M4 | D.h.w. circulating pump |
| B32 | D.h.w. tank temperature sensor / thermostat 2 | N1 | Controller RVL471 |
| B5 | Room temperature sensor | S1 | Remote control (operating mode) |
| B7 | Primary return temperature sensor | Y1 | Actuator of heating circuit valve (with contact for minimum stroke limitation) |
| B71 | Secondary return temperature sensor | Y3 | Actuator of diverting valve |
| B9 | Outside sensor | Y7 | Actuator for d.h.w. circuit |
| E1 | 2-stage burner | * | Wire link for locking the district heat parameters |
| F1 | Thermal reset limit thermostat | 1) | Multifunctional output |
| F2 | Manual reset safety limit thermostat | | |

4 Settings

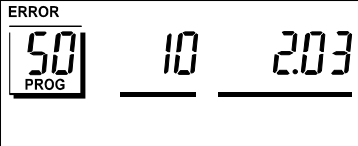
Legend for the setting tables:





4.1 Settings on the «Enduser» level

Press or to activate the «Enduser» level.

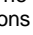
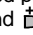
Line	Function, display	Factory setting	Range	Setting	Explanations, notes and tips
1	Setpoint for NORMAL heating	20.0 °C	0...35 °C	
2	Setpoint for REDUCED heating	14.0 °C	0...35 °C	
3	Setpoint for holiday mode / frost protection	10.0 °C	0...35 °C	
4	Weekday (for heating program)	1-7	1...7	1 = Monday 2 = Tuesday, etc. 1-7 = entire week
5	First heating period, start of NORMAL heating	06:00	00:00...24:00 :	Switching program for heating circuit --:-- = period inactive
6	First heating period, end of NORMAL heating	22:00	00:00...24:00 :	Switching program for heating circuit --:-- = period inactive
7	Second heating period, start of NORMAL heating	--:--	00:00...24:00 :	Switching program for heating circuit --:-- = period inactive
8	Second heating period, end of NORMAL heating	--:--	00:00...24:00 :	Switching program for heating circuit --:-- = period inactive
9	Third heating period, start of NORMAL heating	--:--	00:00...24:00 :	Switching program for heating circuit --:-- = period inactive
10	Third heating period, end of NORMAL heating	--:--	00:00...24:00 :	Switching program for heating circuit --:-- = period inactive
11	Holiday period	--:--	1...8	
12	Date of first day of holiday	--:--	01.01. ... 31.12.	Day.Month
13	Date of last day of holiday	--:--	01.01. ... 31.12.	Day.Month
14	Heating curve, flow setpoint TV1 at 15 °C outside temperature	30 °C	20...70 °C	These operating lines are active only if digital adjustment of the heating curve has been selected (refer to entry made on operating line 73)
15	Heating curve, flow setpoint TV2 at -5 °C outside temperature	60 °C	20...120 °C	

26	Setpoint d.h.w. temperature NORMAL	55 °C	20...100 °C	With plant types x-0 and x-5, these operating lines do not appear
27	D.h.w. temperature	Display function			
28	Setpoint d.h.w. temperature REDUCED	40 °C	8...80 °C	
31	Weekday (for switching program 2)	1-7	1...7	1 = Monday 2 = Tuesday, etc. 1-7 = entire week
32	Start of first ON period	05:00	00:00...24:00 :	Switching program 2 --:-- = period inactive
33	End of first ON period	22:00	00:00...24:00 :	Switching program 2 --:-- = period inactive
34	Start of second ON period	--:--	00:00...24:00 :	Switching program 2 --:-- = period inactive
35	End of second ON period	--:--	00:00...24:00 :	Switching program 2 --:-- = period inactive
3	Start of third ON period	--:--	00:00...24:00 :	Switching program 2 --:-- = period inactive
37	End of third ON period	--:--	00:00...24:00 :	Switching program 2 --:-- = period inactive
38	Time of day		00:00...23:59		Hours:Minutes
39	Weekday		1...7		1 = Monday 2 = Tuesday, etc.
40	Date		01.01. ... 31.12.	Day.Month (e.g. 02.12 for 2 Dec.)
41	Year		1995...2094	
50	Faults	Display function Display example of interconnected plants			10 = fault outside sensor 30 = fault flow or boiler temperature sensor 40 = fault flow or boiler temperature sensor (primary circuit) 42 = fault flow or boiler temperature sensor (secondary circuit) 50 = fault d.h.w. storage tank temperature sensor / thermostat 1 52 = fault d.h.w. storage tank temperature sensor / thermostat 2 54 = fault flow temperature sensor for d.h.w. 60 = fault room temperature sensor 61 = fault room unit 62 = wrong room unit connected 81 = short-circuit on data bus (LPB) 82 = same bus address used several times 100 = two clock masters on the data bus (LPB) 120 = flow alarm 140 = inadmissible bus address (LPB) or plant type
					
		10 = error code 2 = segment number (data bus address) 03 = device number (data bus address)			

4.2 Settings on the «Heating engineer» level

Press  and  simultaneously for 3 seconds to activate the «Heating engineer» level for selecting the plant type and the plant-related variables.

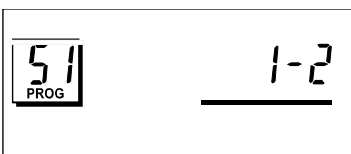
Selecting the plant type on operating line 51:

The required plant type must be selected on operating line 51 using buttons  and . This activates all functions required for the respective type of plant and shows the associated operating lines.

A plant type is comprised of a space heating circuit (6 different types) and a d.h.w. circuit (5 different types). The 2 types of circuits can be combined in 29 different ways. The following plant diagrams show all possible combinations.

The controller's operating line 51 only accepts combinations that are possible.

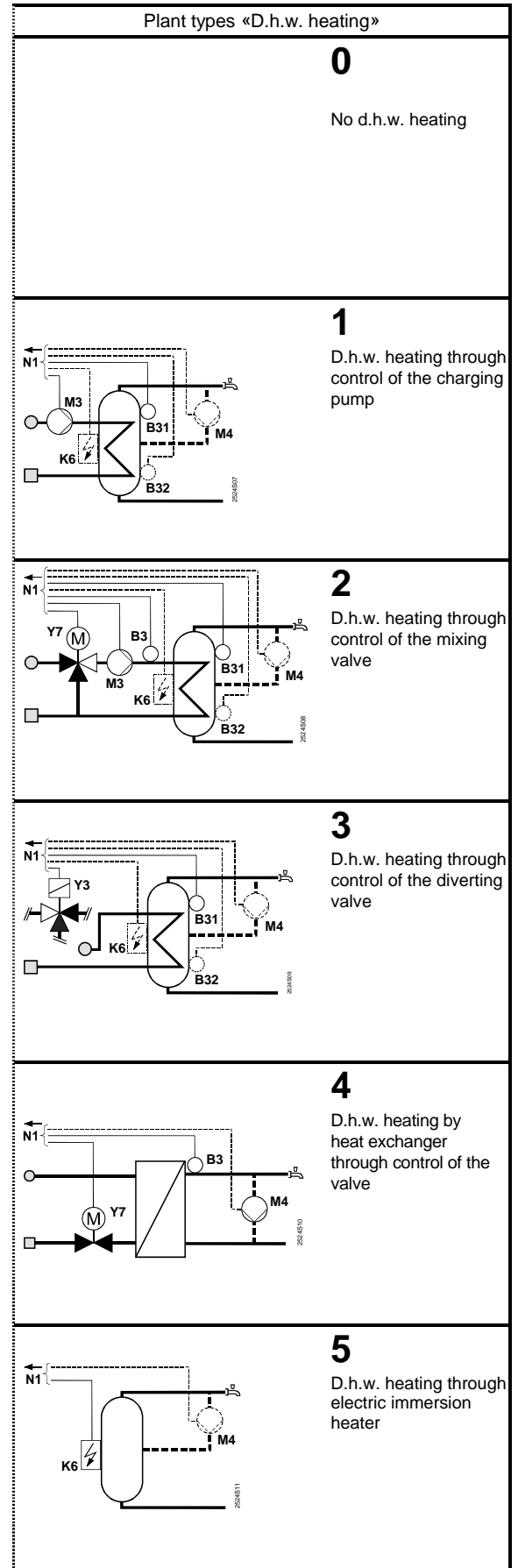
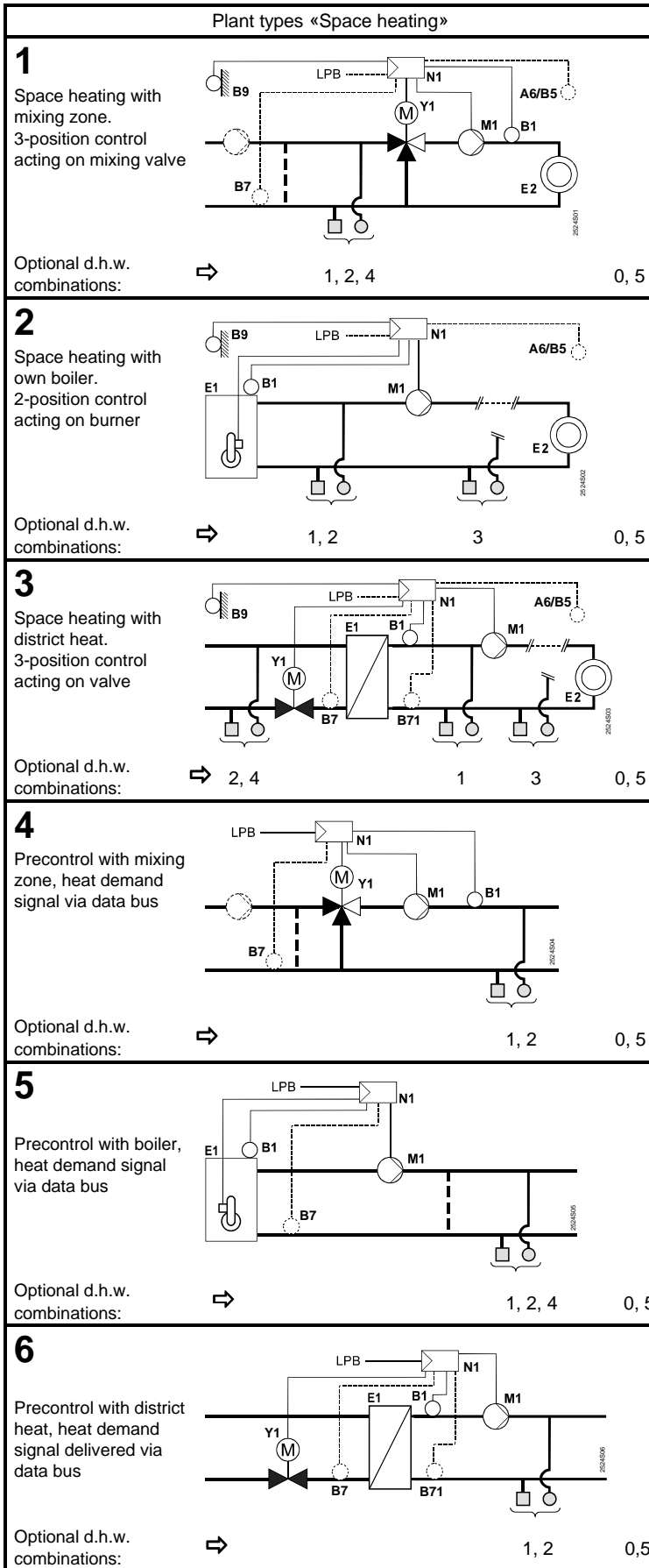
Example of a setting:



1 = heating circuit type 1
2 = d.h.w. circuit type 2

Line	Function, display	Factory setting	Range	Setting	Explanations, notes and tips
51	Plant type	1-1	1-0 ... 6-5	... -	Type numbers in the following section 4.3

4.3 Plant types



A6 Room unit QAW50 or QAW70

B1 Flow boiler temperature sensor

B3 Flow temperature sensor for d.h.w.

B31 D.h.w. storage tank temp. sensor / thermostat 1

B32 D.h.w. storage tank temp. sensor / thermostat 2

B5 Room temperature sensor

B7 Return temperature sensor (primary circuit)

B71 Secondary return temperature sensor (secondary circuit)

B9 Outside sensor

E1 Heat source (boiler / heat exchanger)

E2 Load (room)

LPB Data bus

K6 Electric immersion heater

M1 Heating circuit pump or circulating pump

M3 Charging pump

M4 Circulating pump

N1 Controller RVL471

Y1 Heating circuit valve

Y3 Diverting valve

Y7 D.h.w. valve

4.4 Parameter list

Line	Function, display	Factory setting	Range	Setting	Explanations, notes and tips
------	-------------------	-----------------	-------	---------	------------------------------

4.4.1 Block «Cascade slave»

59	Boiler sequence release limit	200 °C·min	0...500 °C·min	
60	Boiler sequence reset limit	50 °C·min	0...500 °C·min..	

4.4.2 Block «Space heating»

61	Heating limit for NORMAL heating (ECO day)	17.0 °C	-- / -5...+25 °C	Setting -- = function deactivated
62	Heating limit for REDUCED heating (ECO night)	5.0 °C	-- / -5...+25 °C	Setting -- = function deactivated
63	Building time constant	20 h	0...50 h	Light = 10 h, medium = 25 h, heavy = 50 h
64	Quick setback	1	0 / 1	0 = no quick setback 1 = quick setback
65	Room temperature source	A	0 / 1 / 2 / 3 A	0 = no room temperature sensor present 1 = room unit at terminal A6 2 = room temperature sensor at terminal B5 3 = mean value of the 2 units at terminals A6 and B5 A = automatic selection
66	Type of optimization	0	0 / 1	0 = optimization with room model 1 = optimization with room unit / room temperature sensor (setting 0 only allows optimum start control)
67	Maximum heating up time	00:00 h	00:00...42:0 0 h	Maximum forward shift for switching on before occupancy starts Setting 00:00 = no optimum start control
68	Maximum optimum shutdown	0:00 h	0:00...6:00 h	Maximum forward shift for switching off before occupancy ends Setting 0:00 = no optimum stop control
69	Maximum limitation of room temperature	--	-- / 0...35 °C	Setting -- = limitation deactivated Function only possible with room unit / room temperature sensor
70	Effect of room temperature	4	0...20	Gain factor for effect of room temperature Function only possible with room unit / room temperature sensor
71	Boost of room temperature setpoint with boost heating	5 °C	0...20 °C	
72	Parallel displacement of heating curve	0.0 °C	-4.5...+4.5 °C	Value in °C room temperature
73	Type of heating curve adjustment	0	0...2	0 = analog adjustment 1 = digital adjustment on the controller and via bus 2 = digital adjustment via bus only

4.4.3 Block «3-position actuator for heating circuit»

81	Maximum limitation of flow temperature	---	--- / 0...140 °C	Setting --- = function deactivated No safety function
82	Minimum limitation of flow temperature	---	--- / 0...140 °C	Setting --- = function deactivated
83	Maximum rate of increase of flow temperature	---	--- / 1...600	...°C/h	Setting --- = function deactivated (function prevents cracking noise in piping)
84	Excess flow temperature mixing valve / heat exchanger	10 °C	0...50 °C	Setpoint boost for precontroller in interconnected plants
85	Actuator running time	120 s	30...873 s	
86	P-band of control (Xp)	32.0 °C	1...100 °C	
87	Integral action time of control (Tn)	120 s	10...873 s	

4.4.4 Block «Boiler»

91	Boiler operating mode	0	0 / 1	0 = with manual shutdown (⏻ key) 1 = with automatic shutdown (OFF when there is no demand for heat)
92	Maximum limitation of boiler temperature	95 °C	25...140 °C	No safety function
93	Minimum limitation of boiler temperature	10 °C	5...140 °C	
94	Switching differential of boiler	6 °C	1...20 °C	
95	Minimum limitation of burner running time	4 min	0...10 min	
96	Release limit for second burner stage	50 °C·min	0...500 °C·min	
97	Reset limit for second burner stage	10 °C·min	0...500 °C·min	
98	Waiting time for second burner stage	20 min	0...40 min	
99	Operating mode pump M1	1	0 / 1	0 = circulating pump without shutdown in the case of protective boiler startup 1 = circulating pump with shutdown in the case of protective boiler startup

Line	Function, display	Factory setting	Range	Setting	Explanations, notes and tips
------	-------------------	-----------------	-------	---------	------------------------------

4.4.5 Block «Setpoint of return temperature limitation»

101	Limitation of return temperature Constant value	---	--- / 0...140 °C	Setting --- = function deactivated Plant types 1-x, 4-x, 5-x: Minimum limitation Plant types 3-x, 6-x: Maximum limitation
-----	--	-----	---------------	----------	---

4.4.6 Block «District heat»

112	Maximum limitation of return temperature Slope	0.7	0.0 ... 4.0	
113	Maximum limitation of return temperature Start of shifting limitation	10 °C	-50...+50 °C	
114	Maximum limitation of return temperature Integral action time	30 min	0...60 min	For maximum limitation of return temperature and for DRT limitation
115	Maximum limitation of return temperature differential	-- °C	-- / 0.5...50 °C	Differential between primary and secondary return temperature (DRT) Setting -- = function deactivated
116	Minimum stroke limitation (Y _{min} function)	6 min	-- / 1...20 min	Stroke limitation in the actuator Setting -- = function deactivated

4.4.7 Block «Maximum limitation of return temperature, d.h.w.»

117	Maximum limitation of return temperature d.h.w.	---	--- / 0...140 °C	Maximum limitation with d.h.w. heating
-----	---	-----	---------------	----------	--

4.4.8 Block «Basic settings for d.h.w.»

121	Assignment of d.h.w. heating	0	0...2	D.h.w. heating for 0 = own controller 1 = all controllers in the interconnected system that have the same segment number 2 = all controllers in the interconnected system
122	Program for d.h.w. circulating pump	2	0...3	0 = 24 h per day 1 = according to the heating program(s), depending on the setting made on line 121 2 = according to switching program 2 3 = according to switching program 3

4.4.9 Block «Release of d.h.w. heating»

123	Release of d.h.w. heating	2	0...2	0 = released 24 hours a day 1 = released according to the heating program(s), depending on the setting made on operating line 121; start of enabling is shifted forward by one hour 2 = released according to switching program 2
-----	---------------------------	---	-------	-------	---

4.4.10 Block «Priority and flow temperature setpoint d.h.w.»

124	D.h.w. priority, flow temperature setpoint	0	0...4		<i>D.h.w. priority</i>	<i>Flow temperature setpoint according to</i>
					0 =	absolute priority	D.h.w.
					1 =	shifting priority	D.h.w.
					2 =	shifting priority	Maximum selection
					3 =	none (parallel)	D.h.w.
4 =	none (parallel)	Maximum selection					

4.4.11 Block «D.h.w. storage tank»

125	D.h.w. heating	0	0...3	0 = parallel with space heating 1 = alternating with space heating / electric; changeover according to own controller 2 = alternating with space heating / electric; changeover according to all controllers in the interconnected system that have the same segment number 3 = alternating with space heating / electric; changeover according to all controllers in the interconnected system
126	D.h.w. temperature sensor / d.h.w. thermostat	0	0...3	0 = 1 sensor 1 = 2 sensors 2 = 1 thermostat 3 = 2 thermostats
127	D.h.w. charging temperature boost	10 °C	0...50 °C	
128	D.h.w. switching differential	8 °C	1...20 °C	
129	Maximum d.h.w. charging time	60 min	--- / 5...250 min	Setting --- = function deactivated

Line	Function, display	Factory setting	Range	Setting	Explanations, notes and tips
130	Setpoint of legionella function	---	--- / 20...100 °C	Setting --- = function deactivated
131	Forced charging	0	0 / 1	0 = none 1 = daily on first release

4.4.12 Block «3-position actuator for d.h.w.»

132	Flow temperature boost mixing valve / heat exchanger	10 °C	0..50 °C	
133	Actuator opening time	120 s	10..873 s	
134	Actuator closing time	120 s	10..873 s	
135	P-band (Xp) d.h.w.control	32.0 °C	1...100 °C	
136	Integral action time (Tn) d.h.w. control	120 s	10..873 s	

4.4.13 Block «Derivative action time d.h.w. heating via heat exchanger»

137	Derivative action time (Tv) d.h.w. control	0 s	0...255 s	
-----	--	-----	---------	---------	--

4.4.14 Block «Multifunctional relay»

141	Function of multifunctional relay	0	0..7		0 = no function 1 = outside temperature switch (set operating lines 143...145) 2 = ON / OFF according to time switch (select time switch on operating line 146) 3 = relay ENERGIZED in case of fault 4 = relay ENERGIZED during occupancy time 5 = relay ENERGIZED during occupancy time incl. optimizations 6 = relay ENERGIZED when there is a demand for heat 7 = manually ON / OFF according to operating line 142 If operating line 125 is not 0, this operating line cannot be set
142	Manually ON / OFF	0	0 / 1	0 = relay DEENERGIZED 1 = relay ENERGIZED Function can be provided only when operating line 141 = 7
143	Outside temperature switch Switch-off value for occupancy time	5.0 °C	-35...+35 °C	Function can be provided only when operating line 141 = 1
144	Outside temperature switch Switch-off value for non-occupancy time	-5.0 °C	-35...+35 °C	Function can be provided only when operating line 141 = 1
145	Outside temperature switch Switching differential	3 °C	1...20 °C	Function can be provided only when operating line 141 = 1
146	Selection time switch	3	1...3	1 = heating program 2 = switching program 2 3 = switching program 3

4.4.15 Block «Legionella function»

147	Periodicity of legionella function	1	0..7	0 = daily 1...7 = weekly, whereby: 1 = always on Monday 2 = always on Tuesday, etc.
148	Time for charging	05:00	00:00...24:00 :	
149	Dwelling time at legionella setpoint	30 min	0...360 min	For setpoint of legionella function, refer to line 30
150	Circulating pump operation during legionella function	1	0 / 1	0 = no impact on circulating pump 1 = with impact on circulating pump

4.4.16 Block «Switching program 3»

151	Weekday (for switching program 3)	1-7	1...7	1 = Monday 2 = Tuesday, etc. 1-7 = entire week
152	Start of first ON period	06:00	00:00...24:00 :	Switching program 3 --:-- = period inactive
153	End of first ON period	22:00	00:00...24:00 :	
154	Start of second ON period	--:--	00:00...24:00 :	
155	End of second ON period	--:--	00:00...24:00 :	
156	Start of third ON period	--:--	00:00...24:00 :	
157	End of third ON period	--:--	00:00...24:00 :	

Line	Function, display	Factory setting	Range	Setting	Explanations, notes and tips
------	-------------------	-----------------	-------	---------	------------------------------

4.4.17 Block «Service functions and general settings»

161	Outside temperature simulation	--.-	--./- 50...+50 °C	Simulation automatically terminated after 30 minutes --.- = no simulation																																	
162	Relay test Heating circuit control with valve (plant types 1-x, 3-x, 4-x, 6-x)	0	0...9		0 = normal operation 1 = all contacts open 2 = heating circuit valve OPENS Y1 3 = heating circuit valve CLOSES Y1 4 = heating circuit pump ON M1 5 = charging pump / changeover valve ON M3 6 = circulating pump ON M4 7 = multifunctional relay ENERGIZED K6 8 = d.h.w. valve OPENS Y7 9 = d.h.w. valve CLOSES Y8 To terminate the relay test: Select next line, or automatically after 30 minutes																																	
	Heating circuit control with burner (plant types 2-x, 5-x)	0	0...9		0 = normal operation 1 = all contacts open 2 = burner stage 1 ON K4 3 = burner stages 1 and 2 ON K4 and K5 4 = heating circuit pump ON M1 5 = charging pump / changeover valve ON M3 6 = circulating pump ON M4 7 = multifunctional relay ENERGIZED K6 8 = d.h.w. valve OPENS Y7 9 = d.h.w. valve CLOSES Y8 To terminate the relay test: Select next line, or automatically after 30 minutes																																	
163	Sensor test SET = setpoint or limit value ACTUAL = sensor value Sensors: 000 = short-circuit --- = open-sircuit Thermostats: 000 = contact closed --- = contact open	Display function			0 = outside sensor B9 1 = flow / boiler temp. sensor B1 2 = room temp. sensor B5 3 = room temp. sensor A6 4 = return temp. sensor (primary circuit) B7 5 = return temp. sensor (secondary circuit) B71 6 = flow temp. sensor for d.h.w. B3 7 = d.h.w. storage tank temperature sensor / thermostat 1 B31 8 = d.h.w. storage tank temperature sensor / thermostat 2 B32 _{EINBETTENEINBETTEN}																																	
164	Test of contacts «H» 000 = contact closed --- = contact open	Display function			H1 = overriding the operation mode H3 = locking the district heat settings H4 = auxiliary switch in actuator (for minimum stroke limitation)																																	
165	Flow temperature setpoint	Display function			Current setpoint according to the composite outside temperature, heating curve, setting knob position and setting on operating line 72																																	
166	Resulting heating curve	Display function			Setpoint incl. setting knob position and setting on operating line 72 <i>Left:</i> TV1 at 15 °C outside temperature <i>Right:</i> TV2 at -5 °C outside temperature																																	
167	Outside temp. for frost protection for the plant	2.0 °C	--./ 0...25 °C	Setting --.- = no frost protection for the plant																																	
168	Flow temp. setpoint for frost protection for the plant	15 °C	0...140 °C																																		
169	Device number	0	0...16	Data bus address (LPB) 0 = device with no bus																																	
170	Segment number	0	0...14	Data bus address (LPB)																																	
171	Flow alarm	--:--	--:-- / 1...10 h	Period of time during which the flow / boiler temperature (sensor at terminal B1) may stay outside the limit values --.- = function deactivated																																	
172	Operating mode when terminals H1-M are linked	0	0...9	<table border="1"> <thead> <tr> <th></th> <th>Space heating mode</th> <th>D.h.w.</th> </tr> </thead> <tbody> <tr> <td>0 = </td> <td>OFF</td> <td>OFF</td> </tr> <tr> <td>1 = </td> <td>AUTO</td> <td>OFF</td> </tr> <tr> <td>2 = </td> <td>REDUCED</td> <td>OFF</td> </tr> <tr> <td>3 = </td> <td>NORMAL</td> <td>OFF</td> </tr> <tr> <td>4 = </td> <td>OFF</td> <td>ON</td> </tr> <tr> <td>5 = </td> <td>AUTO</td> <td>ON</td> </tr> <tr> <td>6 = </td> <td>REDUCED</td> <td>ON</td> </tr> <tr> <td>7 = </td> <td>NORMAL</td> <td>ON</td> </tr> <tr> <td>8 = </td> <td>AUTO</td> <td>ON, 24 h/day</td> </tr> <tr> <td>9 = </td> <td>NORMAL</td> <td>ON, 24 h/day</td> </tr> </tbody> </table>		Space heating mode	D.h.w.	0 =	OFF	OFF	1 =	AUTO	OFF	2 =	REDUCED	OFF	3 =	NORMAL	OFF	4 =	OFF	ON	5 =	AUTO	ON	6 =	REDUCED	ON	7 =	NORMAL	ON	8 =	AUTO	ON, 24 h/day	9 =	NORMAL	ON, 24 h/day
	Space heating mode	D.h.w.																																				
0 =	OFF	OFF																																				
1 =	AUTO	OFF																																				
2 =	REDUCED	OFF																																				
3 =	NORMAL	OFF																																				
4 =	OFF	ON																																				
5 =	AUTO	ON																																				
6 =	REDUCED	ON																																				
7 =	NORMAL	ON																																				
8 =	AUTO	ON, 24 h/day																																				
9 =	NORMAL	ON, 24 h/day																																				

Line	Function, display	Factory setting	Range	Setting	Explanations, notes and tips
173	Amplification of locking signal	100 %	0...200 %	Response to locking signals
174	Pump overrun time	6 min	0...40 min	
175	Periodic pump run (pump kick)	0	0 / 1	0 = no periodic pump run 1 = weekly pump run activated
176	Winter- / summertime changeover	25.03	01.01. ... 31.12		Setting: Earliest possible changeover date
177	Summer- / wintertime changeover	25.10	01.01. ... 31.12		Setting: Earliest possible changeover date
178	Clock operation	0	0...3	0 = autonomous clock in the controller 1 = clock from bus (slave), with no remote setting 2 = clock from bus (slave), with remote setting 3 = controller is the central clock (master)
179	Bus power supply	A	0/A	0 = no bus power supply through the controller A = bus power supply through the controller
180	Outside temperature source	A	A / 00.01 ... 14.16	No display means: Controller is autonomous (no data bus present) Setting when supplied via the data bus: Segment and device number of source, or A for automatic identification of source
181	10 V heat demand output Ux	130 °C	30...130°C	Scaling for 10 V
194	Hours run counter	Display function			Number of controller operating hours
195	Controller's software version	Display function			
196	Identification code of room unit	Display function			
197	Radio clock, time elapsed since last reception	Display function			Range: 00:00...42:00 h --:-- = no radio clock connected

5 Final work

5.1 Locking the settings for district heat

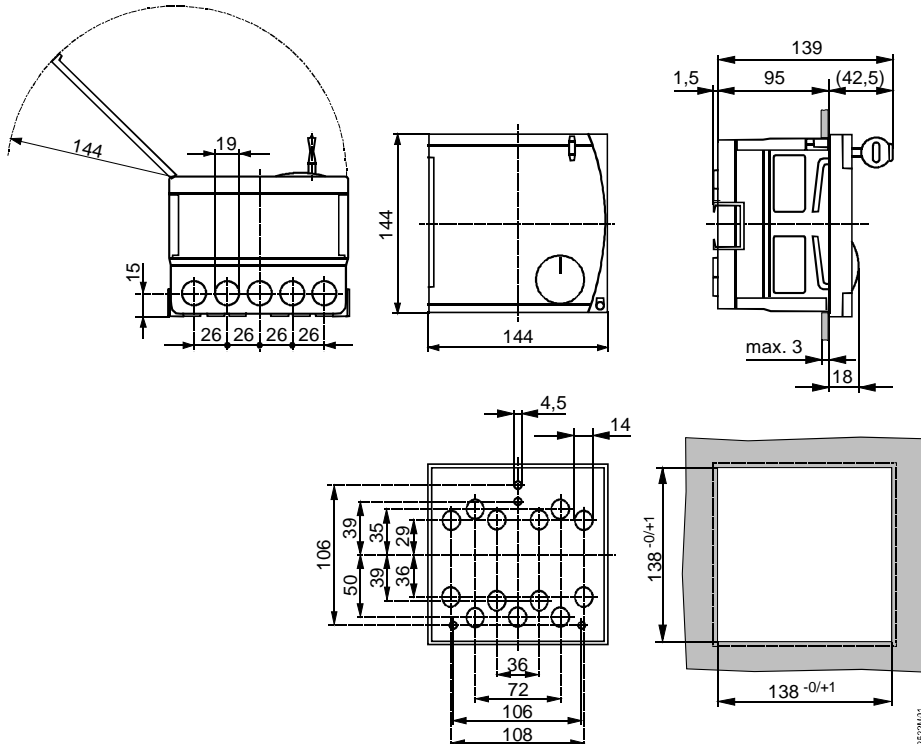
The settings made for district heat can be locked by linking terminals «H3» and «M».

Then, if required, seal the fixing screw at the bottom: Insert plug (attached to the key ring) in the screw hole; introduce a wire through both lugs and seal.

5.2 Completing the installation work

1. Enter the settings made in these Installation Instructions, which should be kept in a safe place.
2. Make entries in the Operating Instructions:
 - Enabling of d.h.w. heating on page 8
 - Setting choice of heating curve on page 10
 - Function of switching program 2 on page 19
 - Heating engineer's name and address on page 27
3. Keep Operating Instructions in the unit cover.
4. Seal the unit cover, if required.

6 Dimensions



Dimensions in mm